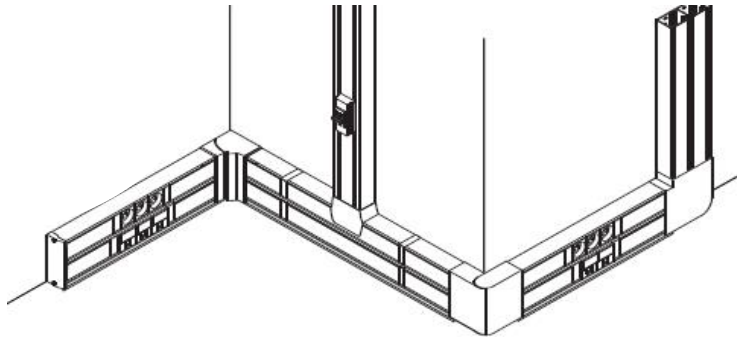


DLP-S Trunking

Number(s) : 6 038 57, 6 117 88/89, 6 380 00/01/05, 6 380 08, 6 380 11 to 13, 6 380 17 to 36, 6 380 38, 6 380 40 to 56, 6 380 71/72/73



1. USE

DLP-S trunking offers:

- the distribution, the protection and the derivation of the various cables in an electrical installation.
- trunkings, finishing accessories (end, joint of lid, joint of body, interior angle, exterior angle, flat angle, derivation)
- all the easy ways/advantages for the installation.
- comply with the standard EN 50085-2-1, safety and technical performance.
- a flexibility with the installation and maintenance:

5 references of trunkings delivered with a cover of 45/75mm:

Note that we have 2 types of trunking:

Trunking with cover 45mm is a "Snap-on trunking"
 Trunking with cover 75mm is a "Universal trunking"

This new trunking will allow the universal direct clips of all the mechanisms 45x45 of the market

Perforation of the body of the trunking.

Fixing by:

- wall plugs for immediate fixing (without screw nor nail ref. 30899)
- DLP rapid wall plug ref 0 308 97 (for 10mm maxi plasterboard walls at least 20mm away from the concrete surface)
- screw, nails...

Cut out using a saw (standard hacksaw)

Possibility of adapting separation partition.

2. RANGE

■ 2.1 DLP-S Trunking

2.1.1 Snap-on DLP-S trunking

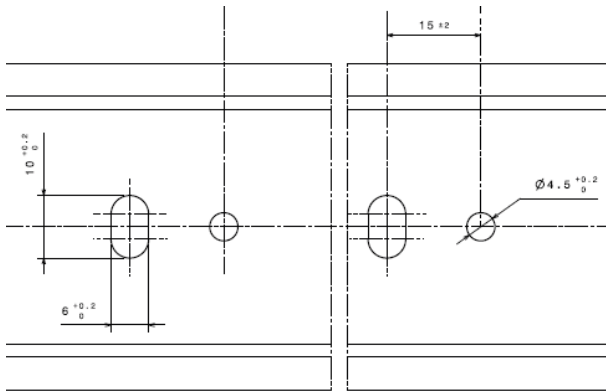
Compartments nr	Cover width (mm)	Sections (mm)	Numbers
1	45	85 x 50	6 380 20
		100 x 50	6 380 30
2		130 x 50	6 380 40

2.1.2 Universal DLP-S trunking

Compartments nr	Cover width (mm)	Sections (mm)	Numbers
1	75	100 x 50	6 380 38
2		190 x 50	6 380 50

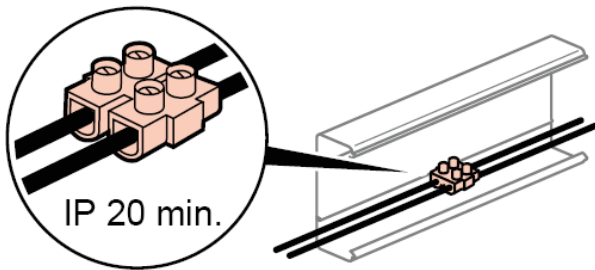
2. RANGE (cont.)

Dimensions of holes in funds of the bodies



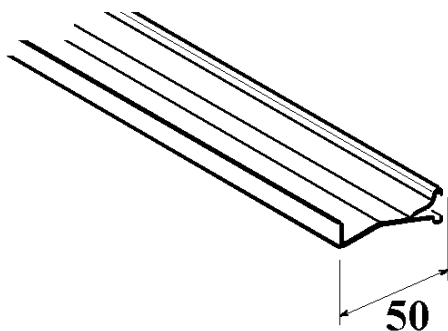
Funds of the bodies provided with holes for fixing, facilitating the upgrade of the trunking (balance/slope)

Attention with use of conductors inside the sections



Inside the trunkings, connection of the conductors using "domino" to respect the IP 20 mini.

2.1.3 PVC partition nr 6 380 08



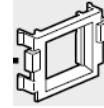
Delivered in length of 2m
Grey Color.

For the separation of various types of currents allows (sector, telephone, data processing...)
Assembly with the body by clip-on (only on trunking 85x50 -100x50 and 190x50)

2. RANGE (cont.)

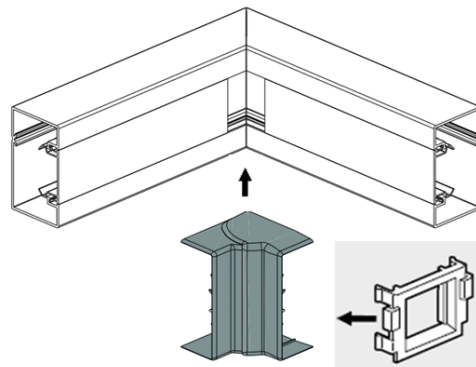
■ 2.2 Finishing accessories for snap-on & universal DLP-S trunking

To install accessories below with universal trunking 100x50 ref 6 380 38, please use the adaptor delivered with accessories



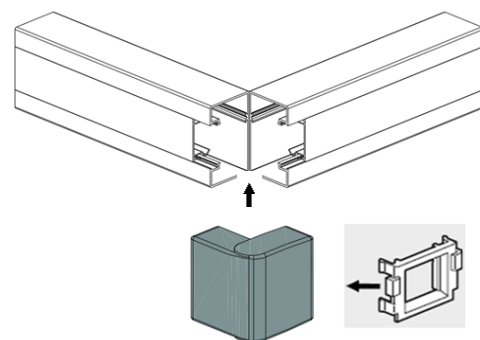
Example with internal angle:

To use with an 100x50 ref 6 380 38, please use the adaptor (delivered with internal angle) for mounting the angle



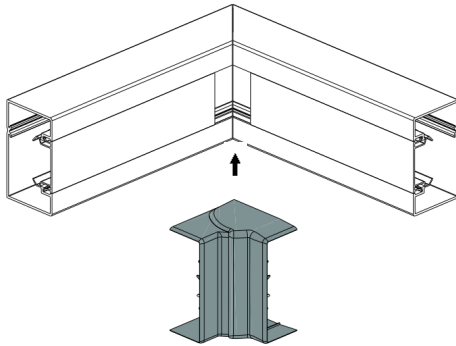
Example with External angle:

To use with an 100x50 ref 6 380 38, please use the adaptor (delivered with External angle) for mounting the angle:



2. RANGE (cont.)

2.2.1 Variable & non-variable internal angle



Enables the junction in internal angle of two pieces of the same section:

- respects the degree protection
- improves aesthetics (covering of the cut)

2 types of angles :

- variable internal angles from 80 to 120°
- non variable: 90°

White color

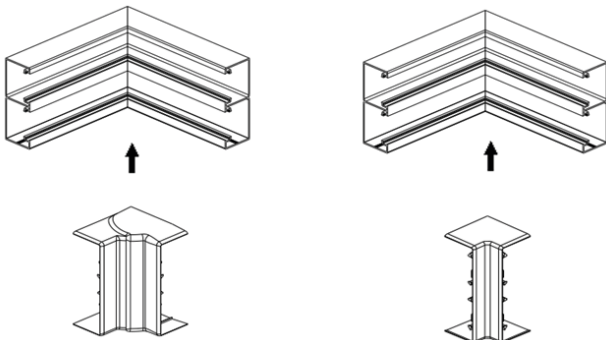
Clip-on on the body

Note: For DLP 100x50 Universal trunking nr 6 380 38, use the special adaptor (please look at page 2)

Trunking positioning:

variable angle

non-variable angle

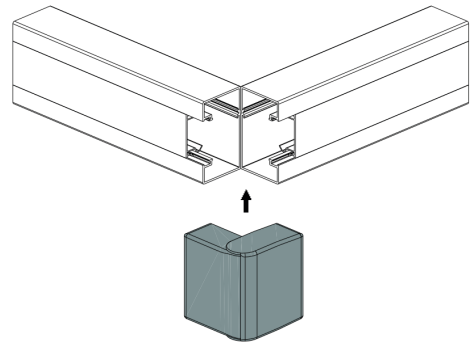


Snap-on Trunkings			
variable		non variable	
6 380 21	85x50	6 380 27	85x50
6 380 31	100x50	6 380 17	100x50
6 380 41	130x50	6 380 47	130x50

Universal Trunkings			
variable		non variable	
6 380 31	100x50	6 380 11	100x50
6 380 51	190x50	-	-

2. RANGE (cont.)

2.2.2 Variable & non variable external angle



Enables the junction in external angle of two pieces of the same section:

- respects the degree protection
- improves aesthetics (covering of the cut)

2 types of angles :

- variable external angles from 60 to 120°
- non variable: 90°

White color

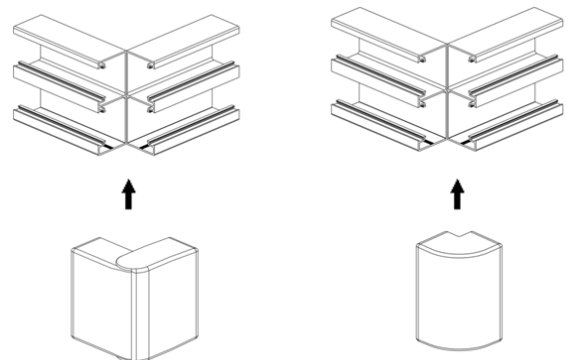
Clip-on on the body

Note: For DLP 100x50 Universal trunking nr 6 380 38, use the special adaptor (please look at page 2)

Trunking positioning:

variable angle

non-variable angle

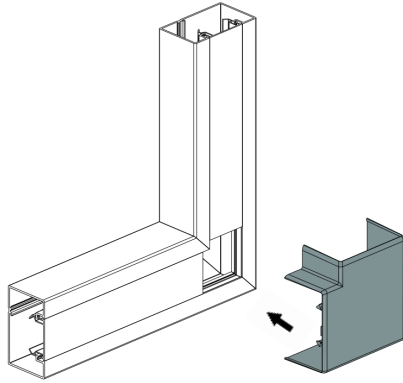


Snap-on Trunkings			
variable		non variable	
6 380 22	85x50	6 380 28	85x50
6 380 32	100x50	6 380 18	100x50
6 380 42	130x50	6 380 48	130x50

Universal Trunkings			
variable		non variable	
6 380 32	100x50	6 380 12	100x50
6 380 52	190x50	-	-

2. RANGE (cont.)

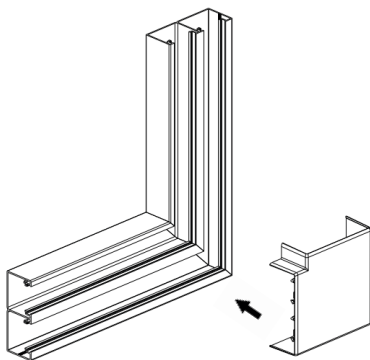
2.2.3 Non variable flat angle



Enables the junction in flat angle of two same sections :
 - respects of the degree protection
 - preserves the distribution of the various currents
 - improves aesthetics (covering of the cut)
 White color
 Clip-on on the body

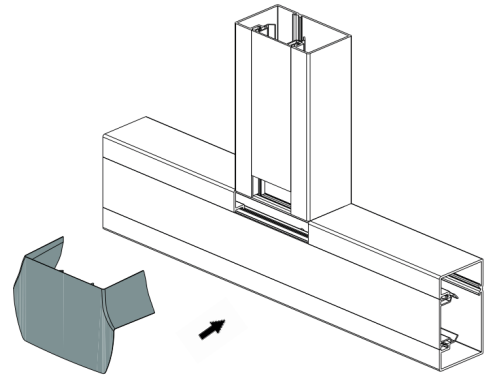
Non variable angle: 90°
 The flat angles are delivered with 2 elements.

Sections	for trunkings	
	snap-on	universal
85x50	6 380 23/29	-
100x50	6 380 19/33	6 380 13
130x50	6 380 49	6 380 43
190x50	-	6 380 53



2. RANGE (cont.)

2.2.4 Flat junction

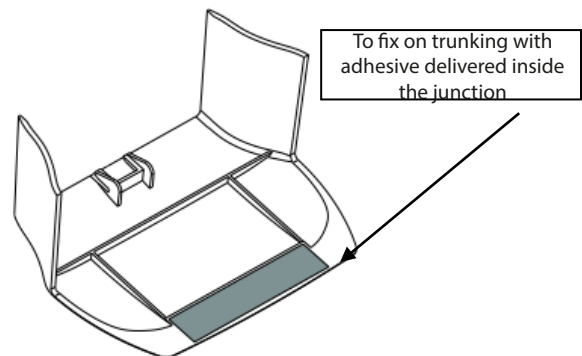


Enables the junction in "T":
 - respects of the degree protection
 - improves aesthetics (covering of the cut)
 White color
 Clip-on on the body

Note: For DLP 100x50 Universal trunking nr 6 380 38, use the special adaptor (please look at page 2)

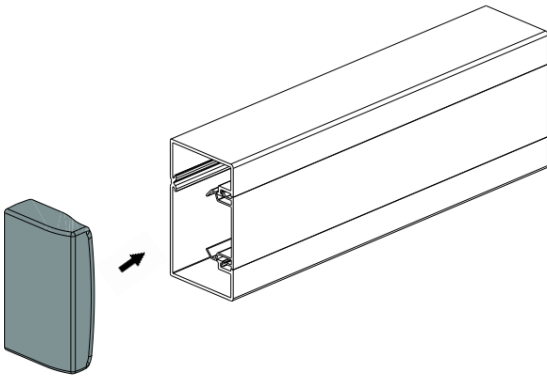
Sections	for trunkings	
	snap-on	universal
85x50	6 380 24	-
100x50	6 380 34	
130x50	6 380 44	-
190x50	-	6 380 54

« T junction » with adhesive for trunking 130 and 190

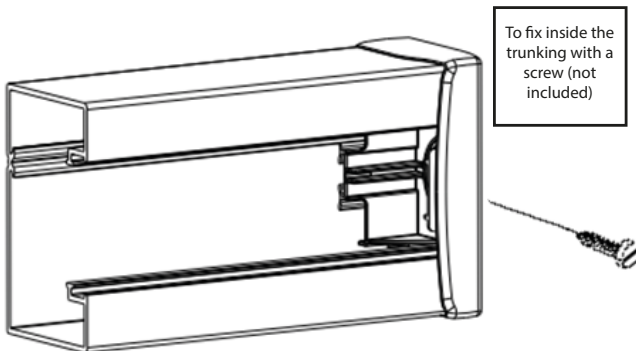


2. RANGE (cont.)

2.2.5 End cap



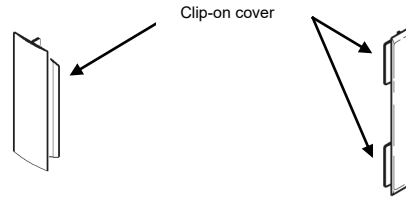
Enables to block the end of the body:
 - respect of the degree protection
 - improvement of aesthetics (covering of the cut)
 - left or right end cap
 White color
 Clip-on on the body by fitment and screwing.



Sections	for trunkings	
	snap-on	universal
85x50	6 380 25	-
100x50	6 380 35	
130x50	6 380 45	-
190x50	-	6 380 55

2. RANGE (cont.)

2.2.6 Cover joint

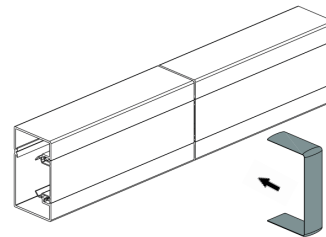


Enables:
 - the junction end to end of two covers
 - the respect of the degree protection
 - to improve aesthetics (covering of the cut)

White color

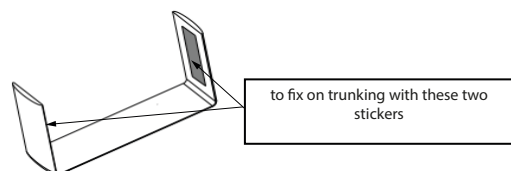
Numbers	for cover width
6 380 00	45 mm
6 380 01	75 mm

2.2.7 Body joint



Enables:
 - the junction end to end of two covers
 - the respect of the degree protection
 - to improve aesthetics (covering of the cut)
 To fix on the body with two stickers

White color



Sections	for trunkings	
	snap-on	universal
85x50	6 380 26	-
100x50	6 380 36	
130x50	6 380 46	-
190x50	-	6 380 56

2. RANGE (cont.)

■ 2.3 Wiring devices accessories

2.3.1 for snap-on DLP-S trunking: Fixing clip nr 6 038 57

Accessory for fixing wiring devices inside the snap-on trunking.

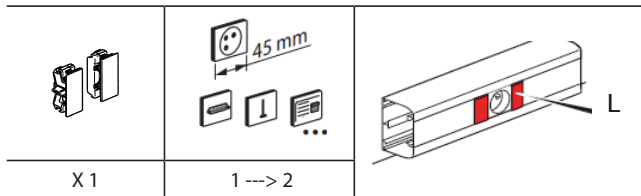
Enables :

- anti-slip
- anti-pullout
- perfect finish
- respect of the degree protection (IP40)

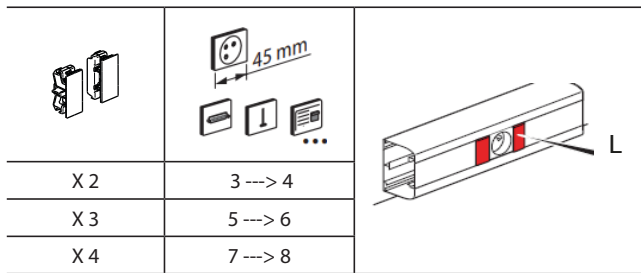
White color

Pack by 10 sets of 2 peaces

Concerning the number max of Mosaic modules can be use between 2 fixing clips, please respect the installation below (as 1 pair for 8 modules max, 2 pairs for 16 modules etc...)
 $L \leq 2 \times 45\text{mm}$



$L > 3 \times 45\text{mm}$



2. RANGE (cont.)

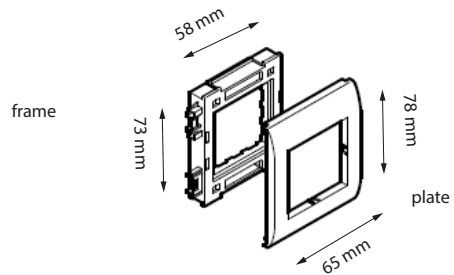
2.3.2 for universal DLP-S trunking

2.3.2.1 45 mm wiring devices supports

Frames delivered with finishing plate in white colour.

Enables the assembly of 2/ 4/ 6 modules 45x45 mm sockets on trunking equipped with 75 mm cover

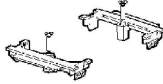
Numbers		Modules number
6 380 71	2	
6 380 72	4	
6 380 73	6	



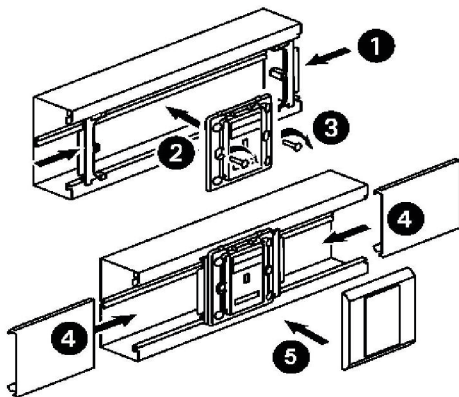
Support composed of	color	2 modules 6 380 71	4 modules 6 380 72	8 modules 6 380 73
Frame (mm)	grey	58x73	123x73	168x73
Plate (mm)	white	65x78	130x78	175x78

2. RANGE (cont.)

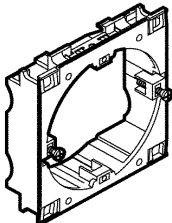
2.3.2.2 British standard support nr 6 380 05



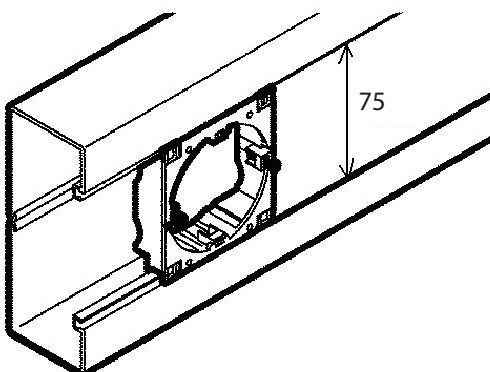
Set of 2 parts (delivered with insert and screws)
White colour
Enables the assembly on trunking DLP-S Universal (75 mm cover) of Synergy, Mallia, Belanko wiring devices.



2.3.2.3 1P 60 mm centers universal frame nr 6 117 88

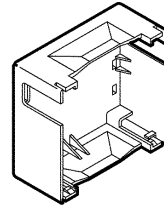


Snap-together and joinable frame
Grey color
Enable the assembly on trunking DLP-S Universal (75 mm cover) of 60 mm wiring devices (Niloé, Kaptika...)

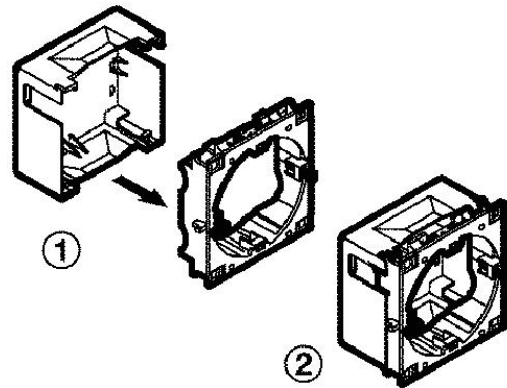


2. RANGE (cont.)

2.3.2.4 1P 60 mm centres Bax box nr 6 117 89



Enables insulation wiring devices by clipping itself behind the 60 mm frame nr 6 117 88.
Grey color



3. TECHNICAL CHARACTERISTICS

Wiring capacity of DLP-S trunking

Snap-on trunking	Section mm ²	Capacity	Maxi diameter	3x1,5 mm ²	3x2,5 mm ²	UTP & FTP CAT.6
85x50 nr 6 380 20	2940	Max	36	26	19	58
	2092	with 2PT+E sockets		18	13	41
	2618	with RJ socket		23	17	52
100x50 nr 6 380 30	3400	Max	36	36	27	82
	2738	with 2PT+E sockets		24	17	54
	3264	with RJ socket		29	21	65
130x50 nr 6 380 40 2 compartments	2646	Max	36	23	17	52
	1256	with 2PT+E sockets		11	8	25
	1762	with RJ socket		15	11	35
	2616	Max	36	23	17	52
	1206	with 2PT+E sockets		10	7	24
	1732	with RJ socket		15	11	34

Universal trunking	Section mm ²	Capacity	Max diameter	3x1,5 mm ²	3x2,5 mm ²	UTP & FTP CAT.6
100x50 nr 6 380 38	4224	Max	36	36	27	82
	2738	with 2PT+E sockets		24	17	54
	3264	with RJ socket		29	21	65
190x50 nr 6 380 50 2 compartments	4017	Max	36	45	29	164
	-	with 2PT+E sockets		-	-	-
	-	with RJ socket		-	-	-
	4017	Max	36	45	29	164
	-	with 2PT+E sockets		-	-	-
	-	with RJ socket		-	-	-

Classification of DLP-S trunking EN 50085-2-1*

6.2 Resistance to impact for installation and application	2.0J
6.3 Minimum storage and transport temperature	- 25°C
6.3 Minimum installation and application temperature	- 5°C
6.3 Maximum application temperature	+ 60°C
6.4 Resistance to flame propagation	Non-flame propagating
6.5 Electrical continuity characteristic	Without electrical continuity characteristic
6.6 Electrical insulating characteristic	With electrical insulating characteristic
6.7 Degrees of protection provided by enclosure	IP40
6.9 The system access cover retention	With a tool
6.101 The position when surface mounted	Wall fixed Ceiling fixed
6.103 The functions provided	Type 1
Rated voltage	500 V
Protection against mechanical shocks	IK 07

* complete information about system on demand

3. TECHNICAL CHARACTERISTICS *(cont.)*

Compositions and functions of DLP-S trunking (1 system per line) EN 50085-2-1 :

Trunking			End cap
Body	Numbers	Section (mm ²)	
85x50	6 380 20	2940	6 380 25
100x50 snap-on	6 380 30	3400	6 380 35
100x50 Universal	6 380 38	4224	6 380 35
130x50 (2compart)	6 380 40	2646/2616	6 380 45
190x50 (2compart)	6 380 50	4017/4017	6 380 55

4. MATERIAL CHARACTERISTICS

Trunking/cover/partition => RAL 9003 white PVC, conform to the Directive RoHS*1

Accessories => RAL 9003 white ABS conform to the Directive RoHS*

*1 RoHS designation :

Restriction of the use of certain Hazardous Substances, RoHS in the Equipements Electriques and Electroniques (EEE)