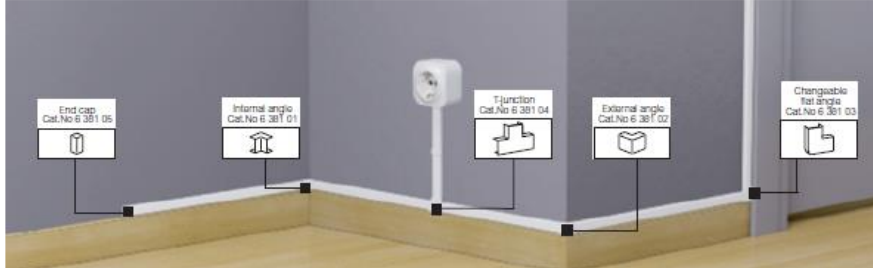


# DLP-S Mini-Trunking

Number(s) : 6 381 00 to 07, 6 381 09 to 17, 6 381 19 to 27,  
6 381 29 to 37, 6 381 39 to 47, 6 381 49 to 57,  
6 381 59 to 66, 6 381 68, 6 381 70 to 76, 6 381 80 to 86

CONTENTS	PAGES
1.Range	1 to 2
2.Accessories	3 to 6
3.Technical characteristics	7 to 9
4.Material characteristics	9



## 1. RANGE

Mini-trunking offers:

- the distribution, the protection and the derivation of various cables in an electrical installation.
- mini-trunkings, finishing accessories (end, cover joint, interior angle, exterior angle, flat angle, derivation)
- all the easy ways/advantages for the installation.
- comply with the standard EN 50085-2-1, safety and technical performance.
- a flexibility with the installation and maintenance:

Without central partition



With central partition



Available in length of 2m  
White color

## 1. RANGE (continued)

Mini-trunking range :






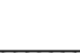
Mini-trunking	Use with mini-trunking	References (Pack)
	15x10	6 381 00 (154m)
	16x16	6 381 10 (150m)
	20x12	6 381 20 (96m)
	24x14	6 381 30 (70m)
	32x16	6 381 40 (80m)
	40x16	6 381 50 (60m)
	40x40	6 381 80 (24m)
	50x20	6 381 60 (40m)
	50x20 2 compartments	6 381 68 (40m)
	60x20 3 compartments	6 381 70 (32m)

# DLP-S Mini-Trunking

Number(s) : 6 381 00 to 06, 6 381 09 to 16, 6 381 19 to 26,  
6 381 29 to 36, 6 381 39 to 46, 6 381 49 to 56,  
6 381 59 to 66, 6 381 68, 6 381 70 to 76, 6 381 80 to 86

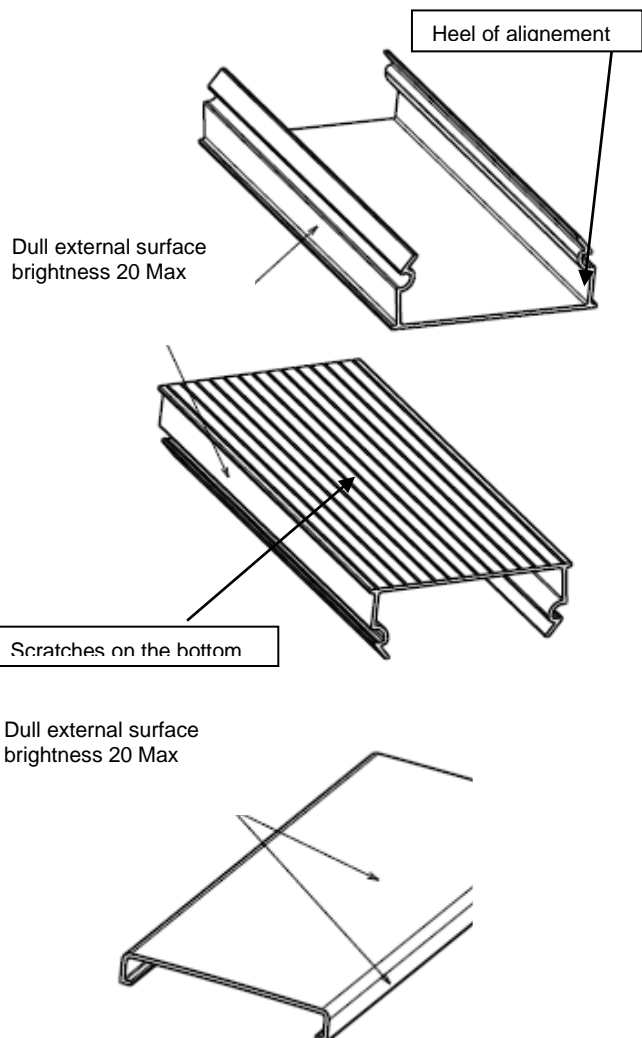
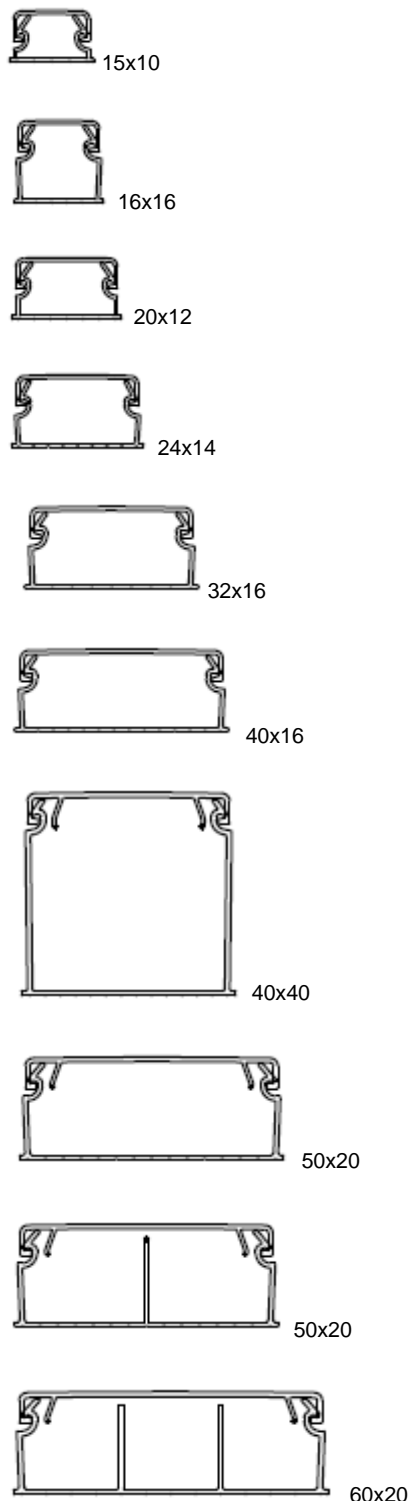
## 1. RANGE (continued)

Mini-trunking range :

Mini-trunking (with adhesive)	Use with mini-trunking	References (Pack)
	15x10	6 381 09 (80m)
	16x16	6 381 19 (50m)
	20x12	6 381 29 (42m)
	24x14	6 381 39 (66m)
	32x16	6 381 49 (36m)
	40x16	6 381 59 (60m)

## 1. RANGE (continued)

Dimensions :

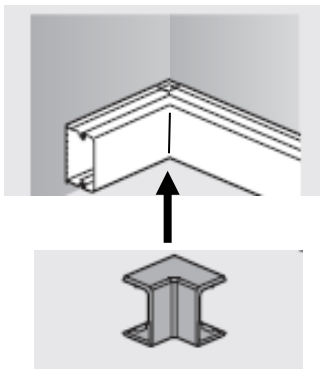


# DLP-S Mini-Trunking

Number(s) : 6 381 00 to 06, 6 381 09 to 16, 6 381 19 to 26,  
6 381 29 to 36, 6 381 39 to 46, 6 381 49 to 56,  
6 381 59 to 66, 6 381 68, 6 381 70 to 76, 6 381 80 to 86

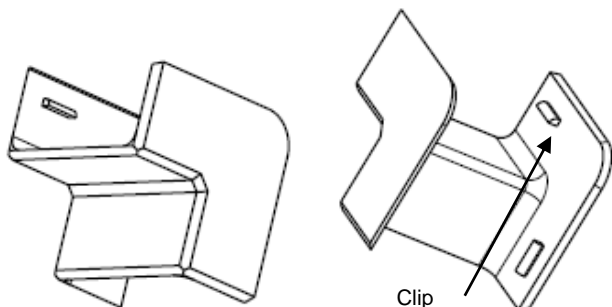
## 2. ACCESSORIES

### 2.1. Internal angle ref. 6 381 01/11/21/31/41/51/61/71/81



Internal angle allows:

- avoid the cut of miter on the mini-trunking
- respect of the degree protection
- aesthetics improves; round edges (covering of the cut and not or little extra thickness)

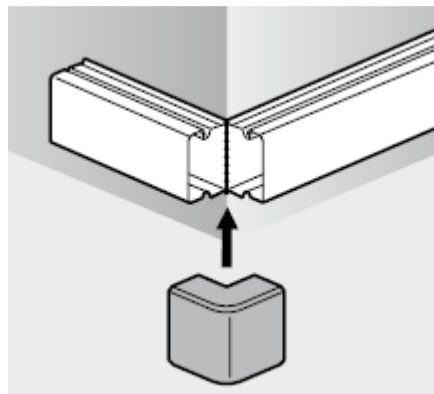


Assembly on the body by clipsage.  
Internal angles are to fix (90°)  
White color

References	Use with mini-trunking	pack
6 381 01	15x10	10
6 381 11	16x16	10
6 381 21	20x12	10
6 381 31	24x14	10
6 381 41	32x16	10
6 381 51	40x16	10
6 381 61	50x20	10
6 381 71	60x20	10
6 381 81	40x40	5

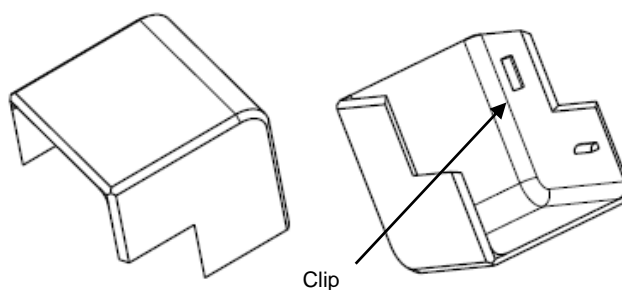
## 2. ACCESSORIES (continued)

### 2.2. External angle ref. 6 381 02/12/22/32/42/52/62/72/82



External angle allows:

- avoid the cut of miter on the mini-trunking
- respect of the degree protection
- aesthetics improves; round edges (covering of the cut and not or little extra thickness)



Assembly on the body by clipsage.  
External angles are to fix (90°)  
White color

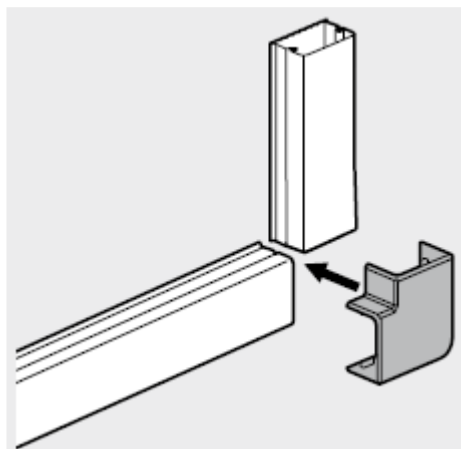
References	Use with mini-trunking	pack
6 381 02	15x10	10
6 381 12	16x16	10
6 381 22	20x12	10
6 381 32	24x14	10
6 381 42	32x16	5
6 381 52	40x16	10
6 381 62	50x20	10
6 381 72	60x20	5
6 381 82	40x40	5

# DLP-S Mini-Trunking

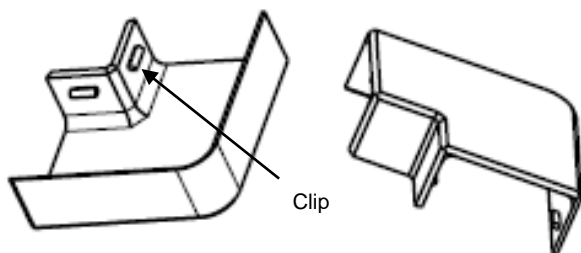
Number(s) : 6 381 00 to 06, 6 381 09 to 16, 6 381 19 to 26,  
6 381 29 to 36, 6 381 39 to 46, 6 381 49 to 56,  
6 381 59 to 66, 6 381 68, 6 381 70 to 76, 6 381 80 to 86

## 2. ACCESSORIES (continued)

### 2.3. Flat angle plat ref. 6 381 03/13/23/33/43/53/63/73/83



The junction in flat angle of two same sections allows:  
- avoid the cut of miter on the trunking  
- respect of the degree protection  
- aesthetics improves; round edges (covering of the cut and not or little extra thickness)

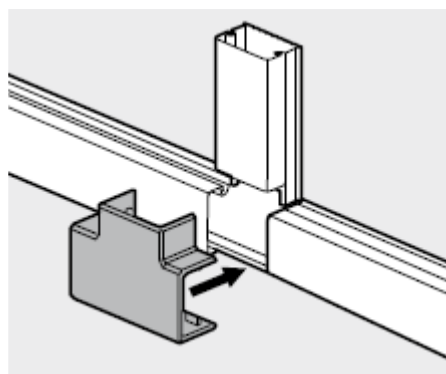


Flat angles are to fix (90°)  
Assembly on the body by clipsage.  
White color

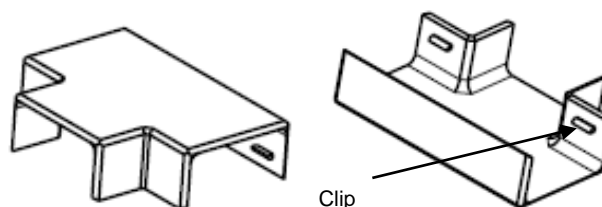
References	Use with mini-trunking	pack
6 381 03	15x10	10
6 381 13	16x16	10
6 381 23	20x12	10
6 381 33	24x14	5
6 381 43	32x16	10
6 381 53	40x16	10
6 381 63	50x20	10
6 381 73	60x20	5
6 381 83	40x40	5

## 2. ACCESSORIES (continued)

### 2.4. Flat T junction ref. 6 381 04/14/24/34/44/54/64/74/84



The junction in "T" allows.  
- respect of the degree protection  
- aesthetics (covering of the cut) improves



Assembly on the body by clipsage  
White color

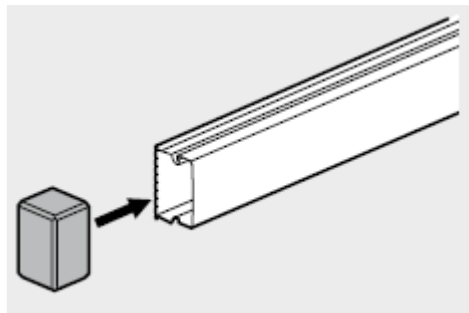
References	Use with mini-trunking	pack
6 381 04	15x10	10
6 381 14	16x16	10
6 381 24	20x12	10
6 381 34	24x14	5
6 381 44	32x16	10
6 381 54	40x16	10
6 381 64	50x20	5
6 381 74	60x20	5
6 381 84	40x40	5

# DLP-S Mini-Trunking

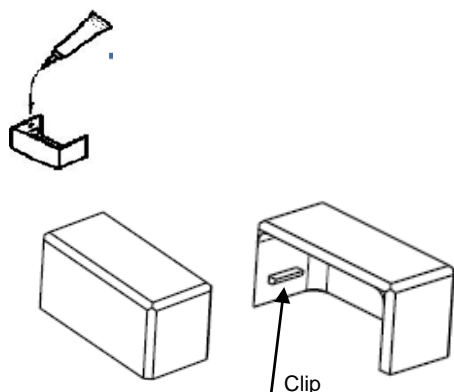
Number(s) : 6 381 00 to 06, 6 381 09 to 16, 6 381 19 to 26,  
6 381 29 to 36, 6 381 39 to 46, 6 381 49 to 56,  
6 381 59 to 66, 6 381 68, 6 381 70 to 76, 6 381 80 to 86

## 2. ACCESSORIES (continued)

### 2.5. End cap ref. 6 381 05/15/25/35/45/55/65/75/85



Allows to block the end of the body:  
- respect of the protection degree  
- improvement of aesthetics (covering of the cut)  
- left or right end cap



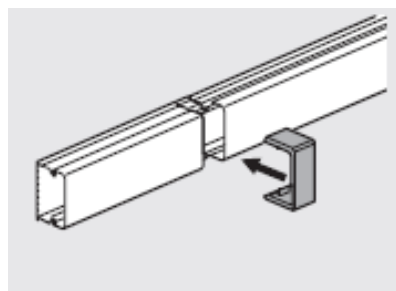
Add glue reference number 0 309 49 inside the end cap and clip it on the body

White color

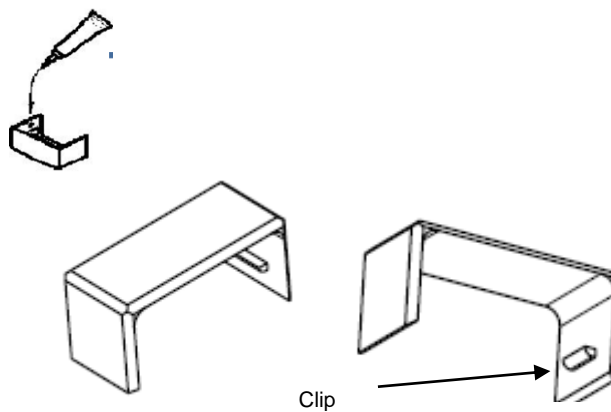
References	Use with mini-trunking	pack
6 381 05	15x10	10
6 381 15	16x16	10
6 381 25	20x12	10
6 381 35	24x14	10
6 381 45	32x16	10
6 381 55	40x16	10
6 381 65	50x20	5
6 381 75	60x20	5
6 381 85	40x40	10

## 2. ACCESSORIES (continued)

### 2.6. Cover joint ref. 6 381 06/16/26/36/46/56/66/76/86



Allows:  
- the junction end to end of two covers  
- respect of the degree protection  
- to improve aesthetics (covering of the cut)



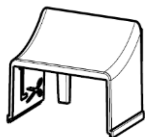
Add glue reference number 0 309 49 inside the cover joint and assembly it on the body by clipping

White color

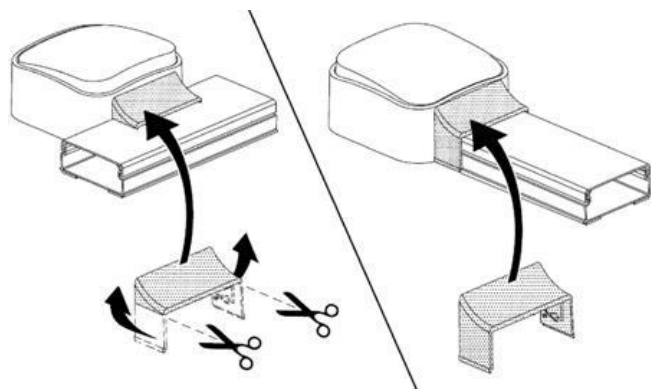
References	Use with mini-trunking	pack
6 381 06	15x10	10
6 381 16	16x16	10
6 381 26	20x12	10
6 381 36	24x14	10
6 381 46	32x16	10
6 381 56	40x16	10
6 381 66	50x20	5
6 381 76	60x20	5
6 381 86	40x40	10

## 2. ACCESSORIES (continued)

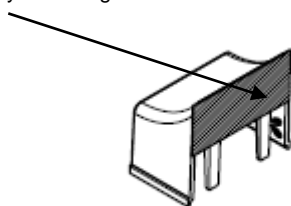
### 2.5. Adaptor ref.6 381 07/17/27/37/47/57



- put it on the frame of the wiring devices



- and fix it by removing the sticker



- respect of the protection degree  
- improvement of aesthetics (covering of the junction between the frame for the wiring devices and the minitrunking)

White color

References	Use with mini-trunking	pack
6 381 07	15x10	10
6 381 37	16x16	10
6 381 17	20x12	10
6 381 27	24x14	10
6 381 47	32x16	10
6 381 57	40x16	10

## 3. TECHNICAL CHARACTERISTICS

Equivalence between range of DLP-S mini-trunking and the old range of mini-trunking for distribution  
Mini-trunking:

New range DLP-S Mini-trunking	References	Old range of Mini-trunking for distribution	References
15x10	6 381 00	/	/
16x16	6 381 10	16x16	6 363 00
20x12	6 381 20	20x10	6 363 01
24x14	6 381 30	25x16	6 363 02
/	/	32x10	6 363 03
32x16	6 381 40	32x16	6 363 04
/	/	32x25	6 363 05
40x16	6 381 50	40x16	6 363 06
50x20	6 381 60	40x25	6 363 07
40x40	6 381 80	40x40	6 363 08
60x20	6 381 70	60x40	6 363 09

Accessories:

New range DLP-S Mini-trunking	References	Old range of Mini-trunking for distribution	References
15x10	638 100	/	/
16x16 Angle int/ext/end cap Flat angle/junction	6 381 11/12/15 6 381 13/14	16x16 Angle int/ext/end cap Flat angle/junction	6 364 00 6 364 03
20x12 Angle int/ext/end cap Flat angle/junction	6 381 21/22/25 6 381 23/24	20x10 Angle int/ext/end cap Flat angle/junction	6 364 10 6 364 13
24x14 Angle int/ext/end cap Flat angle/junction	6 381 31/32/35 6 381 33/34	25x16 Angle int/ext/end cap Flat angle/junction	6 364 20 6 364 23
/	/	32x10 Angle int/ext/end cap Flat angle/junction	6 364 30 6 364 33
32x16 Angle int/ext/end cap Flat angle/junction	6 381 41/42/45 6 381 43/44	32x16 Angle int/ext/end cap Flat angle/junction	6 364 40 6 364 43
/	/	32x25 Angle int/ext/end cap Flat angle/junction	6 364 50 6 364 53
40x16 Angle int/ext/end cap Flat angle/junction	6 381 51/52/55 6 381 53/54	40x16 Angle int/ext/end cap Flat angle/junction	6 364 60 6 364 63
50x20 Angle int/ext/end cap Flat angle/junction	6 381 61/62/65 6 381 63/64	40x25 Angle int/ext/end cap Flat angle/junction	6 364 70 6 364 73
40x40 Angle int/ext/end cap Flat angle/junction	6 381 81/82/85 6 381 83/84	40x40 Angle int/ext/end cap Flat angle/junction	6 364 80 6 364 83
60x20 Angle int/ext/end cap Flat angle/junction	6 381 71/72/75 6 381 73/74	60x40 Angle int/ext/end cap Flat angle/junction	6 364 90 6 364 93

### 3. TECHNICAL CHARACTERISTICS (continued)

Wiring capacity: Conductors types HO7V-K (standard HD 21.3 S3)

Nb compartments	Dimensions	Compartment N°	Section max. in mm <sup>2</sup>	1,5 mm <sup>2</sup>	2,5 mm <sup>2</sup>	4 mm <sup>2</sup>	6 mm <sup>2</sup>	UTP/FTP CAT.6
1 comp.	15X10	1	79	4	3	3	2	1
	16X16		176	10	7	6	5	3
	20X12		164	9	7	6	4	3
	24X14		249	15	11	9	7	4
	32X16		395	23	17	15	11	7
	40X16		510	30	22	20	14	10
	40X40		1337	81	60	52	38	26
	50X20		831	50	37	32	24	16
	60x40		2127	128	95	83	61	42
2 comp.	40x16	1	249	15	11	9	7	4
		2	249	15	11	9	7	4
	50X20	1	406	24	18	16	11	8
		2	406	24	18	16	11	8
3 comp.	60X20	1	312	18	14	12	9	6
		2	308	18	13	12	8	6
		3	312	18	14	12	9	6

Wiring capacity: Cables 3x1.5 or 3x2.5mm<sup>2</sup>

Nb compartments	Dimensions	Compartment N°	Section max. in mm <sup>2</sup>	Ø max	3x1,5 mm <sup>2</sup>	3x2,5 mm <sup>2</sup>
1 comp.	15X10	1	79	8	1	0
	16X16		176	10,5	3	2
	20X12		164	10	2	1
	24X14		249	12	4	2
	32X16		395	14	7	4
	40X16		510	14	9	5
	40X40		1337	37	24	15
	50X20		831	18	15	9
			60x40		2127	37
2 comp.	40x16	1	249	14	4	2
		2	249	14	4	2
	50X20	1	406	18	7	4
		2	406	18	7	4
3 comp.	60X20	1	312	16	5	3
		2	308	17	5	3
		3	312	16	5	3



### 3. TECHNICAL CHARACTERISTICS (continued)

Classification of mini-trunking EN 50085-2-1

6.2 Resistance to impact for installation and application	1J
6.3 Minimum storage and transport temperature	- 25°C
6.3 Minimum installation and application temperature	+ 15°C
6.3 Maximum application temperature	+ 60°C
6.4 Resistance to flame propagation	Non-flame propagating
6.5 Electrical continuity characteristic	Without electrical continuity characteristic
6.6 Electrical insulating characteristic	With electrical insulating characteristic
6.7 Degrees of protection provided by enclosure	IP40
6.9 The system access cover retention	With a tool
6.101 The position when surface mounted	Wall fixed Ceiling fixed
6.102 The functions provided	Type 1
Rated voltage	500 V
Protection against mechanical shocks	IK 06

Compositions and functions of mini-trunking systems (1 system per line) EN 50085-2-1 :

Body+cover	Mini-trunking references	Section (mm <sup>2</sup> )	End cap
15x10	6 381 00	79	6 381 05
16x16	6 381 10	176	6 381 15
20x12	6 381 20	164	6 381 25
24x14	6 381 30	249	6 381 35
32x16	6 381 40	395	6 381 45
40x16	6 381 50	510	6 381 55
40x40	6 381 80	1337	6 381 85
50x20	6 381 60	831	6 381 65
50x20 2 compartments	6 381 68	406/406	6 381 65
60x20 3 compartments	6 381 70	312/308/312	6 381 75

### 4. MATERIAL CHARACTERISTICS

The mini-trunkings are in PVC white RAL 9003

The accessories are in plastic ABS material white RAL 9003