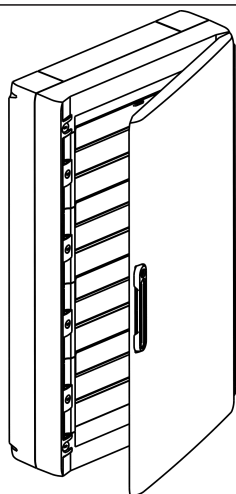
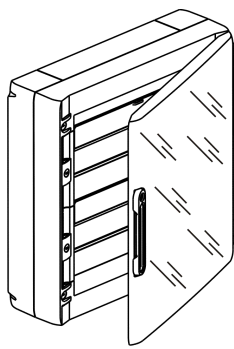


# XL<sup>3</sup> 125 Cabinets

Cat. No(s) : 4 016 31/32/33/34/41/42/43/44



4 x 18M 4 016 49



2 x 18M 4 016 57

## CONTENTS

## PAGES

1. Description, use	1
2. Range	1
3. Overall dimensions	1
4. General characteristics	2
5. Compliance and approvals	2
6. Equipment and accessories	2-3-4

## 1. DESCRIPTION, USE

XL<sup>3</sup> 125 cabinets from 1x18 modules to 4x18 modules

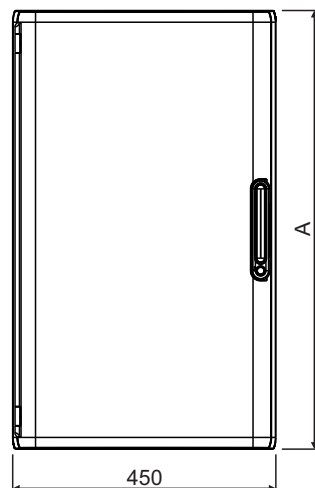
- Removable faceplates
- Removable, pivoting chassis
- Centre distance between rails 150 mm
- Accepts perforated plates and plain faceplates to mount non-modular products
- Attachments for Mosaic Programme wiring devices on the side of the cabinet
- Lockable door handle
- Door and cabinet are fully reversible

## 2. RANGE

Cat. No.	Number of rows	Number of modules
4 016 31/41	1	18
4 016 32/42	2	36
4 016 33/43	3	54
4 016 34/44	4	72

## 3. OVERALL DIMENSIONS

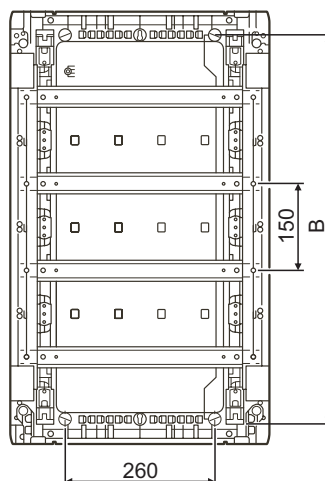
### Front face



### Side view



### Fixing centre distances and distance between rails



Cabinet Cat. No.	A (mm)	B (mm)
4 016 31/41	300	250
4 016 32/42	450	365
4 016 33/43	600	515
4 016 34/44	750	665

## 4. GENERAL CHARACTERISTICS

### 4.1 Technical characteristics

- Box and cover colour :White RAL 9003
- Protection index : IP40 - IK09
- Self-extinguishing : 650°C
- Classe II double insulation
- Rated operating voltage : 400V AC - 50/60 Hz
- Rated insulation voltage : 400V AC - 50/60 Hz
- Short circuit current : 10 kA
- Storage temperature : -20°C to +70°C
- Installation temperature : -15°C to +60°C
- Operating temperature : -5°C to +40°C
- Maximum admissible current :
  - 4 016 31/41 : 63 A
  - 4 016 32/42 : 90 A
  - 4 016 33/43 : 125 A
  - 4 016 34/44 : 125 A

-Maximum capability to dissipate power (P<sub>de</sub>):

Number of rows	Number of modules	Maximum dissipate power
1	18	43 W
2	36	50 W
3	54	66 W
4	72	68 W

- Permissible loads : 40N per row

### 4.2 Materials

- Box, cover, faceplate, terminal block support, open-work plate : resistant reinforced polystyrene.
- Rails supports, pivot-bolt, screw, cover ¼ turn fixinx : glass fibre-reinforced polycarbonate.
- Door, hinge, label holder, rod, guide: polycarbonate.
- Rails and metal uprights : galvanised steel.

### 4.3 Terminal block capacity and number of blanking plates

Cabinet Cat. No.	Auto. terminal 1,5 to 4 mm <sup>2</sup>	Screw-type terminals	
		6 to 25 mm <sup>2</sup>	6 to 35 mm <sup>2</sup>
4 016 31/41	18	5	-
4 016 32/42	27	5	-
4 016 33/43	36	5	-
4 016 34/44	45	5	5

Cabinet Cat. No.	Number of blanking plates 5 modules
4 016 31/41	1
4 016 32/42	2
4 016 33/43	3
4 016 34/44	3

## 5. COMPLIANCE AND APPROVALS

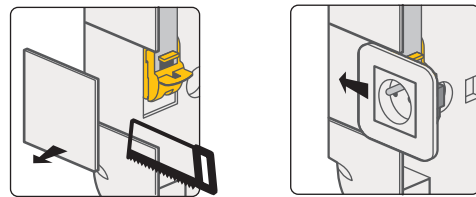
IEC 61 439-3  
IEC 60 670-24  
IEC 62 208  
RoHS  
WEEE  
REACH

CB Certificate

## 6. EQUIPMENT AND ACCESSORIES

### 6.1 Mounting support for Mosaic Programme wiring devices Cat. No. 4 018 50

1 mounting supplied in cabinet



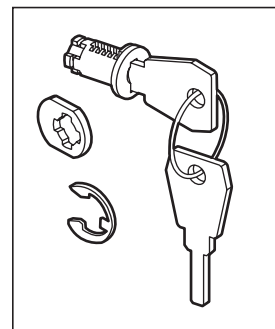
### 6.2 Guide ties

Guide ties supplied with the cabinet

Cat. No.	Number of ties
4 016 31/41	0
4 016 32/42	2
4 016 33/43	3
4 016 34/44	4

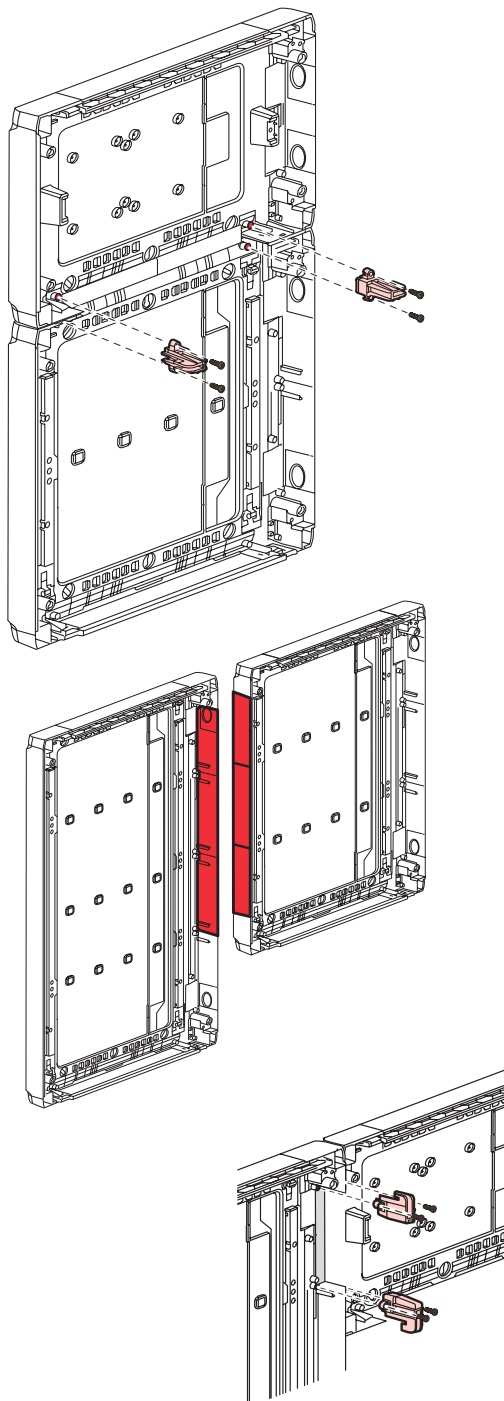
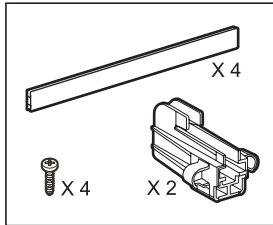
### 6.3 Key barrel Cat. No. 4 018 51

Key barrel No. 850

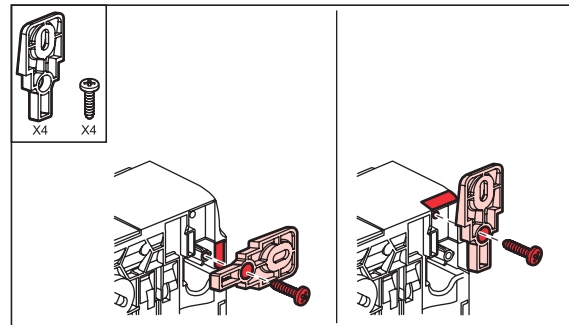


## 6.4 Joining kit Cat. No. 4 018 45

Enables the association of 2 cabinets of the same size or of different sizes horizontally or vertically.



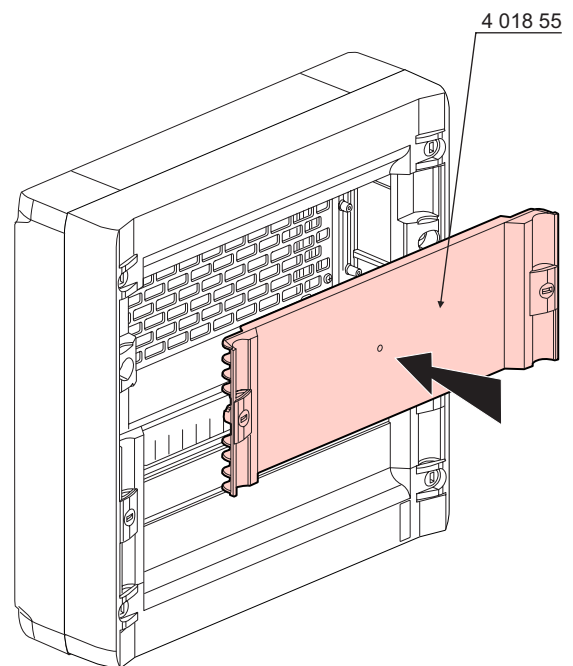
## 6.5 Set of 4 wall-mounting brackets Cat. No. 4 018 56



## 6.6 Blanking plates Cat. No. 0 016 60

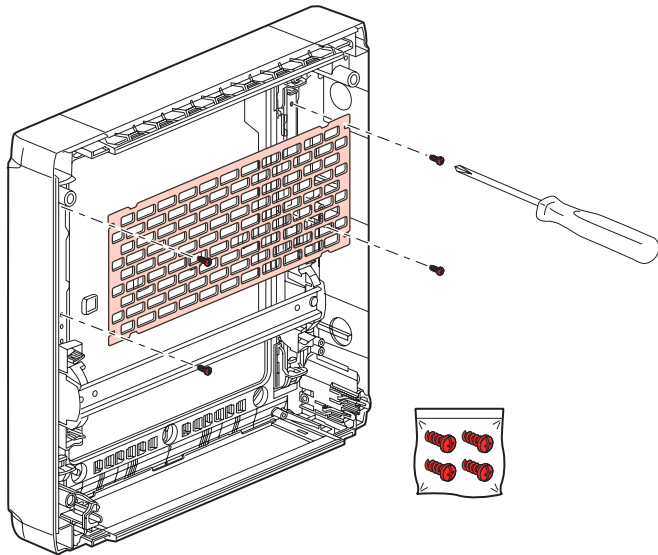
5 modules, separable by module or half-module, white RAL 9003

## 6.7 Plain faceplate Cat. No. 4 018 55

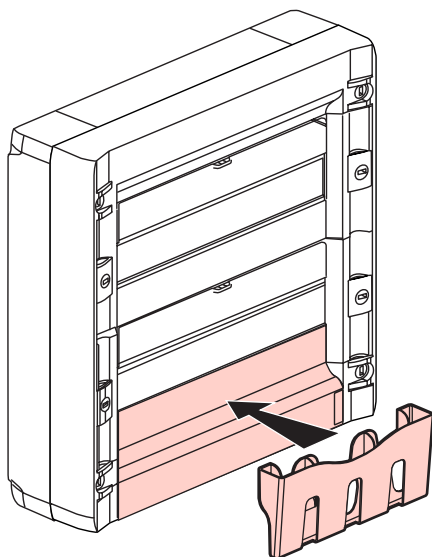
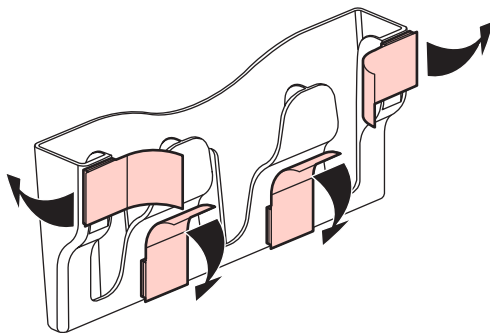


## 6.8 Perforated plate supplied with 4 fastening screws Cat. No. 4 018 53

Enables replacement of DIN rail with LINA 25 plate to integrate non-modular products.



## 6.9 Documents holder Cat. No. 4 018 44



## 6.10 Double terminal block support Cat. No 4 018 57

Set of 2 fixing supports:

For installation of earth terminal block Cat No. 0 050 54 or additional empty terminal block housing Cat No 4 048 21.

