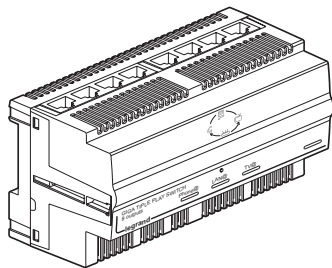


# Gigabit triple play unit, 8 outputs

Catalogue number(s): 4 130 44



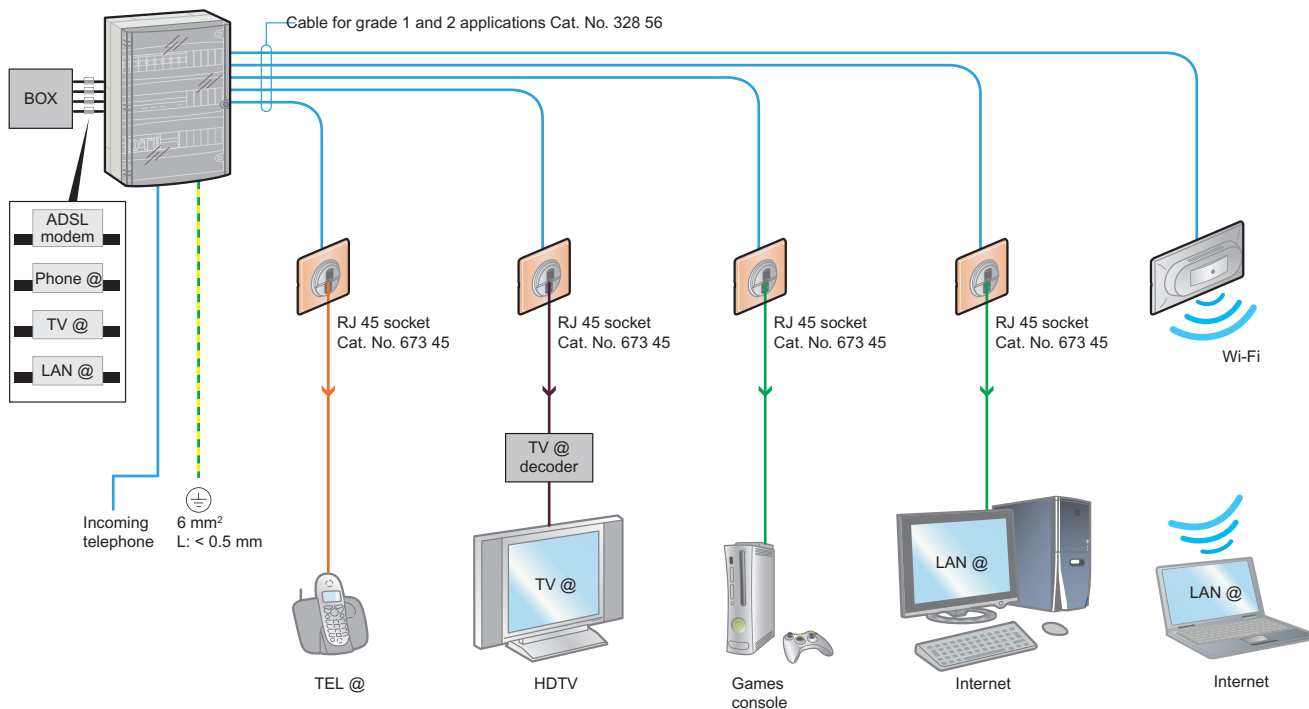
## CONTENTS

Page

1. Introduction .....	1
2. Selection chart .....	1
3. Overall dimensions .....	1
4. Setup .....	2
5. Technical features .....	2
6. Standards .....	2
7. Certifications .....	2
8. Operating principle .....	3

## 1. INTRODUCTION

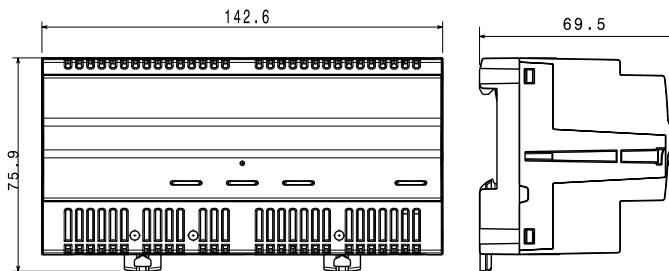
Automatic Gigabit Triple Play unit.  
Distributes Internet services from the operator box on 8 single RJ45 sockets.  
IP v6 and IP v4 compatible.  
Use power supply unit Cat. No. 1 467 11 only.  
DIN rail mounting.



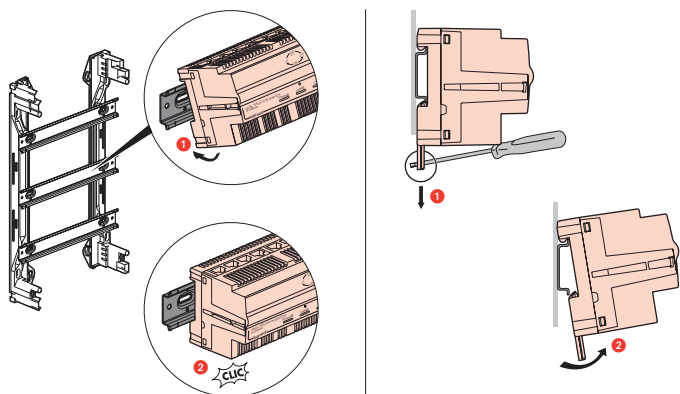
## 2. SELECTION CHART

Description	Cat. Nos	No. of modules	Weight (g)
Gigabit triple play unit, 8 outputs	4 130 44	8	280

## 3. OVERALL DIMENSIONS



## 4. SETUP



## 5. TECHNICAL FEATURES

### 5.1 Main features

- RoHS compliant
- Solution for the home/SOHO
- 3 speeds on all 8 ports: 10/100/1000 Mbps
- Genuine Plug & Play installation
- Auto crossover for all ports (MDI/MDIX)
- Autonegotiation for all ports
- Automatic updating of MAC addresses
- Jumbo frame supported up to 10 Kbytes
- RAM: 1 Mbit
- Memory for 1024 MAC addresses (store and forward)
- The TV@ input serves the 4 ports labelled 5 to 8
- The LAN@ input serves the 4 ports labelled 1 to 4
- Energy detect : "power down mode" when the port is not used.

### 5.2 LED

- On : green LED
- No LED on the port outputs to save energy
- TV@ and LAN@ networks are fully isolated and thus not interconnected inside the product.

### 5.3 Mechanical characteristics

Plastic casing: PC RAL 7035  
 IP20 - IK04  
 Tensile resistance on DIN rail: 100 N

### 5.4 Electrical features

Power Consumption under 250 VAC of the device	Power Consumption on the DC input of the device
11,55 W	12 V DC
Cos φ = 0.46	0.545 A

Automatic detection and assignment of the medium connected to the wall socket.

Ethernet Gigabit switch (2x4 10/100/1000 Mbps outputs).

Data rate compatible with IPTV, HDTV as well as multi-TV offers, and suitable for very high fibre optic rates.

Green Ethernet component (electrical consumption adjusted to just what is required).

IP v6 Ready.

### 5.5 Climatic features

Usage temperature: - 5°C to + 50°C  
 Storage temperature: - 25°C to + 70°C

## 6. STANDARDS

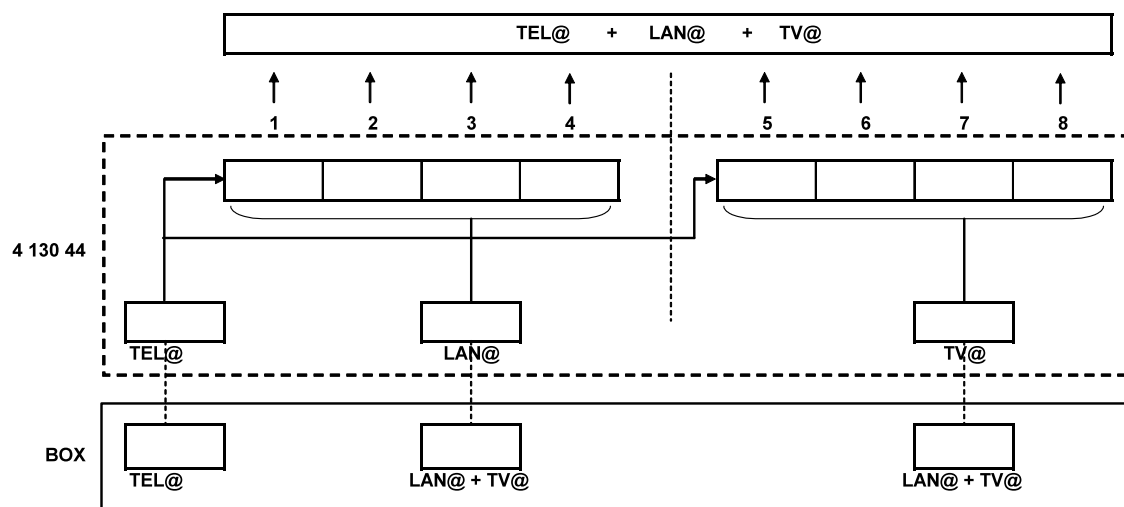
IEEE802.3 10base-T Ethernet  
 IEEE802.3u 100base TX Fast Ethernet  
 IEEE802.3ab 1000base T Gigabit Ethernet

## 7. CERTIFICATIONS

RoHS directive  
 CE marking  
 SELV marking

## 8. OPERATING PRINCIPLE

### Example 1:



### Example 2:

