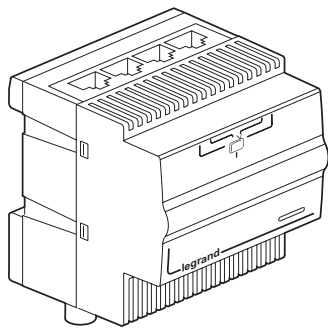
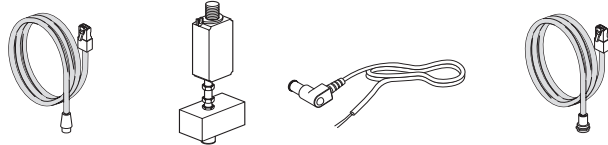


RJ45 terrestrial-satellite TV splitter RJ45 terrestrial-cable TV splitter

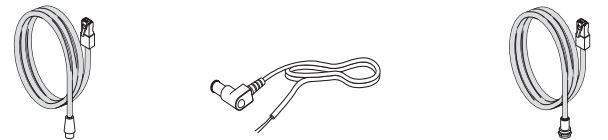
Catalogue number(s): 413018/413019



413018



413019



1. INTRODUCTION

Equipment for TV distribution on RJ45

413018:

Terrestrial-DTT-satellite TV splitter

Transmission distance:

- 5 to 40 m for analogue terrestrial and DTT

- 5 to 30 m for satellite

Supplied with adjustment kit (9 V power supply)

413019:

Terrestrial-DTT-cable TV splitter with return channel

Transmission distance:

- 5 to 30 m for cable

- 5 to 40 m analogue terrestrial and DTT

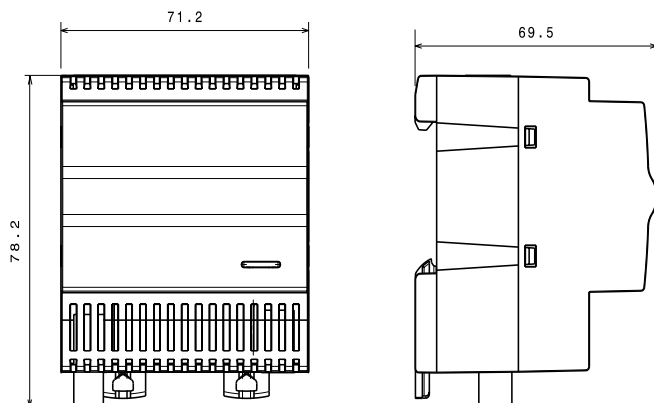
9 V power supply

DIN rail mounting.

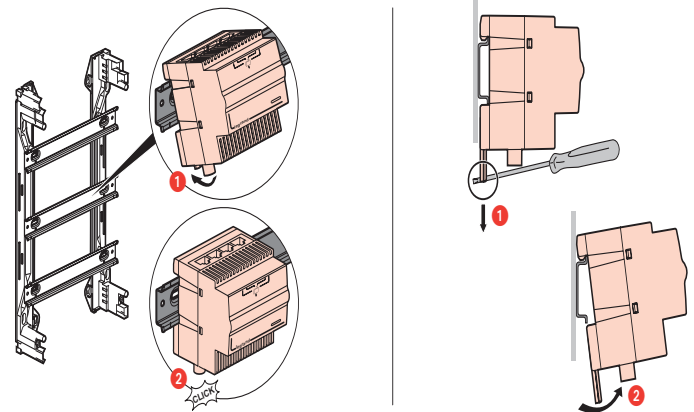
2. SELECTION CHART

Description	Cat. Nos.	No. of modules	Weight (g)
RJ45 terrestrial-satellite TV splitter	413018	4	110
RJ45 terrestrial-cable TV splitter	413019	4	110

3. OVERALL DIMENSIONS



4. SETUP AND CONNECTION



5. TECHNICAL FEATURES

5.1 Electrical features

Plastic casing: PC RAL 7035

IP20 - IK04

Tensile resistance on DIN rail: 100 N

Power supply at 9 VDC:

413018: RJ45 terrestrial-satellite TV splitter: 350 mA

413019: Cable: 310 mA

Power consumption at 230 VAC (measured with 9 V supply adjustment kit)

- 413018: 4.1 W with $\cos \phi$: 0.35

- 413019: 3.7 W with $\cos \phi$: 0.34

5.2 Climatic features

Operating temperature: + 5°C to + 40°C

Storage temperature: - 25°C to + 70°C

5.3 Components to be installed



- RJ45/coax. TV cord
- TV adjustment kit
- Power supply cord
- RJ45/F satellite decoder cord
- Power supply

RJ45 terrestrial-satellite TV splitter


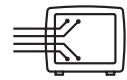
RJ45 terrestrial-cable TV splitter

Catalogue number(s): 413018/413019

413018

				
	Analogue	Digital (DTT)	Analogue (FM-PAL SECAM)	Digital (DVB-S DVB-S2)
Required signal quality (unit input)	C/N min: 47 dB	C/N min: 27 dB	C/N min: 15 dB	C/N min: 15 dB
		BER min: 9.9E-05		BER min: 9.9E-04
Signal levels	65-71 dBµV	55-68 dBµV	72-80 dBµV	
Operation	Legrand guarantees correct operation for twisted pairs between 5 and 40 m (between 10 and 30 m within the meaning of standard IEC 60728-1)	Legrand guarantees correct operation for twisted pairs between 5 and 40 m (between 10 and 40 m within the meaning of standard IEC 60728-1)	Legrand guarantees correct operation for twisted pairs between 5 and 30 m	
Special precautions			Do not exceed 80 dBµV at the input, irrespective of the input frequency. Maintain a max. difference in level of 8 dB (max.-min.) on the satellite spectrum.	

413019

			
	Analogue	Digital (DTT)	Cable
Required signal quality (unit input)	C/N min: 47 dB	C/N min: 27 dB	
		BER min: 9.9E-05	
Signal levels	65-71 dBµV	55-68 dBµV	62-70 dBµV
Operation	Legrand guarantees correct operation for twisted pairs between 5 and 40 m (between 5 and 30 m within the meaning of standard IEC 60728-1)	Legrand guarantees correct operation for twisted pairs between 5 and 30 m (between 10 and 40 m within the meaning of standard IEC 60728-1)	Legrand guarantees correct operation for twisted pairs between 5 and 30 m

6. COMPLIANCE AND APPROVALS

Conforming to standards:

IEC 60728-1

EN 500 90-2-2

EN 60 950