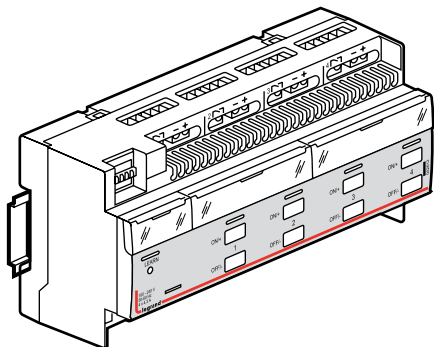


Controller - 4 outputs with dimming 1-10 V

Catalogue number(s): 0 026 12



CONTENTS

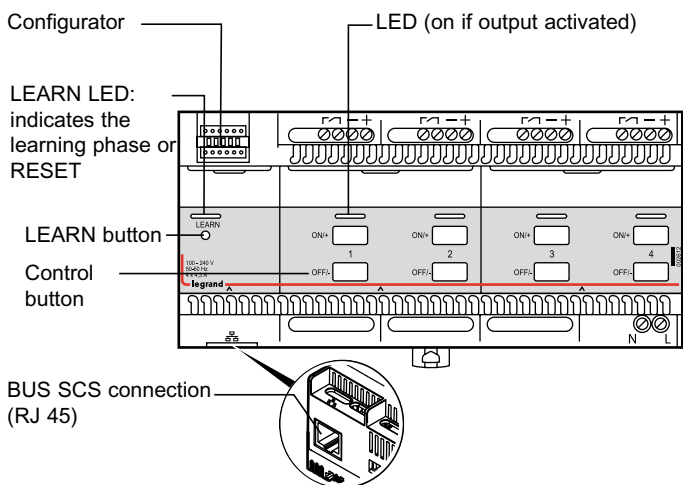
Page

1. Use	1
2. Technical characteristics	1
3. Dimensions	2
4. Connection	2
5. Parameter setting	3
6. Configuration	3
7. Care	3
8. Standards	3

1. USE

This device is a power unit used for managing lighting loads.
The load(s) can be controlled manually either locally or by SCS control units associated with it (them). They can also be controlled automatically by digital detectors.
The use of SCS control units and digital detectors requires an SCS power supply and an addressing module* to be wired on the BUS .
* The addressing module is not necessary if the installation is equipped with software packs.

2. TECHNICAL CHARACTERISTICS



- ① Fluorescent tubes
- ② Tungsten halogen bulb
- ③ Compact fluorescent bulbs
- ④ 1 - 10 V ballast

2. TECHNICAL CHARACTERISTICS (continued)

Number of supply terminal blocks	1
Number of load terminal blocks	4
Connection terminals	
Terminal type	screw
Terminal capacity	2 x 2.5 mm ²
Number of RJ 45	1
Mains voltage	100-240 V~
Frequency	50/60 Hz
Location category	Indoors
Protection index	
Penetration by solid and liquid matter	IP20 (installation in an enclosure)
Impact resistance	IK04
Number of modules	10
Operating temperature	-5°C to +45°C
Storage temperature	-20°C to +70°C
No-load power consumption	1.9 W
Weight	320 g
Zero current breaking	yes

Max. control current 0 - 10 V (sum of the currents provided by the ballasts): 200 mA
Maximum inrush current on contact closing at 230 V~: 120 A - 20 ms

	① ④	② ④	③ ④
230 V~	4 x 1000 VA	4 x 4.3 A	4 x 1000 VA
110 V~	4 x 500 VA		4 x 500 VA

Controller - 4 outputs with dimming 1-10 V

Catalogue number(s): 0 026 12

2. TECHNICAL CHARACTERISTICS (continued)

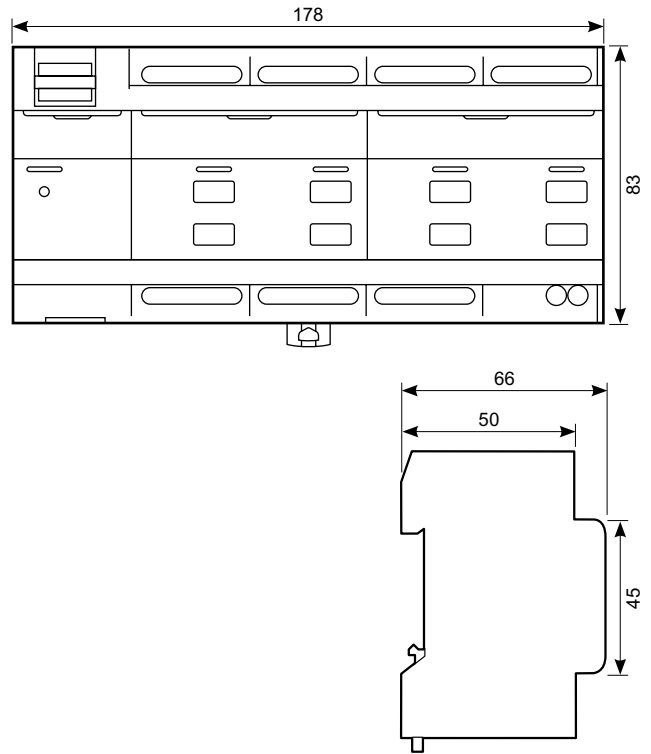
BUS wiring $\frac{\square}{\square}$:

RJ 45 cord or cable or BUS/SCS cable to be fitted with RJ 45 connector ($\frac{\square}{\square}$ 500 m max. cord or BUS/SCS cable between the power supply and the furthest product).

Peripherals compatible with the offer:

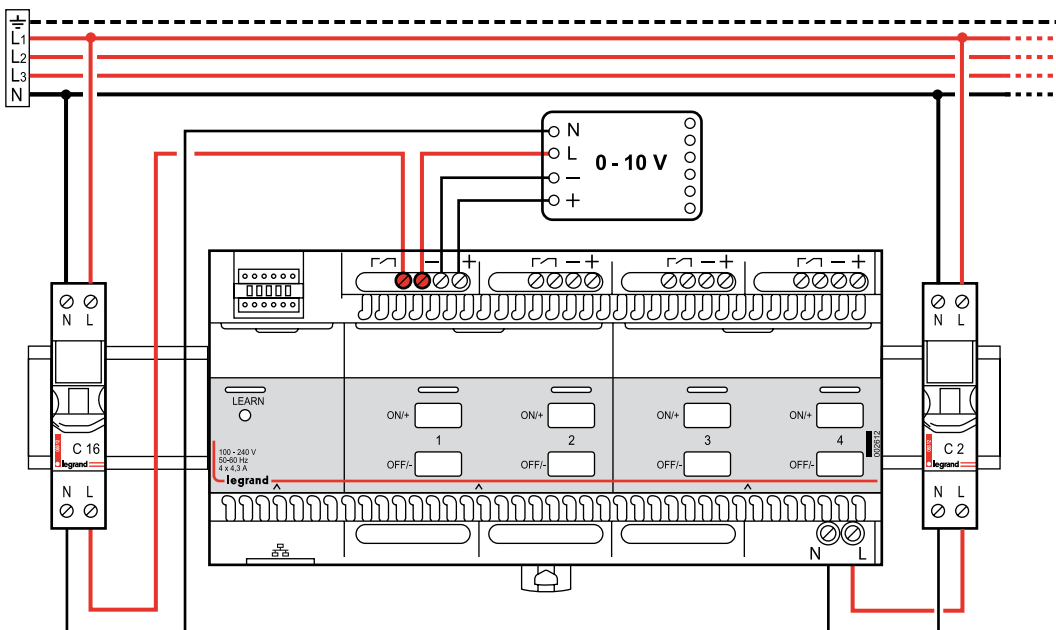
- Digital detectors: infrared, ultrasound or dual technology
- Pushbutton lighting controls
- Switch multifunction controls
- Scenario management

3. DIMENSIONS



4. CONNECTION

All the wiring must be carried out with the mains power off.



IMPORTANT: This product must be used on a single phase to ensure zero current breaking. The output contacts use the same supply phase.

5. PARAMETER SETTING

Product configuration in a system:

- Virtual, via software packs
- Physical, via configurators

Consult the relevant technical data sheets for detailed parameter setting of compatible digital detectors.

Note: All technical information is available at

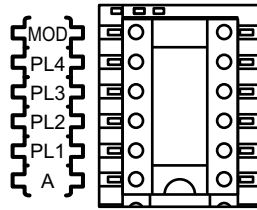


www.legrandoc.com

6. CONFIGURATION

6.1 Physical configuration

- A [1-9]: defines the zone where the controller is located
- PL1, PL2, PL3 and PL4 [1-9]: provide the address of each actuator
- MOD [1-4; PUL; SLA]: provides the operating mode for the configured actuators



MOD value	Function
SLA	Slave configuration
PUL	Ignore general and room controls
0	Light
1	Switch-off delay 1 min
2	Switch-off delay 2 min
3	Switch-off delay 3 min
4	Switch-off delay 4 min

6.2 Virtual configuration (MYHOME_Suite software)

Module enabling	Yes - No
Area	0 - 10
Light point	0 - 15
Modality	Master-Slave-Master PUL-Slave PUL
Delayed OFF for Slave (s)	0 - 255 (1)
Minimum level	1 - 100
Groups	0 - 255 (up to 10 groups/output)

Note 1): In the Master and Master PUL mode you can set an OFF delay of 0-255 seconds (via MYHOME_Suite) and of 1-4 minutes using the physical configuration. Only for a point-point type control. The ON control activates the Master actuator and the Slave actuator at the same time. The next OFF control deactivates the Master.

To use the «Actuator as a slave with PUL function» and adjust the «Minimum brightness level at power-on» with values 1-100, use MYHOME_suite virtual configuration.

7. CARE

Do not use: acetone, tar-removing cleaning agents or trichloroethylene.

- Resistant to the following products:
- Hexane (EN 60669-1)
 - Methylated spirit
 - Soapy water
 - Diluted ammonia
 - Bleach diluted to 10%
 - Window-cleaning products

CAUTION: Always test before using other special cleaning products.

8. STANDARDS

Directive: CE

Installation standards: NFC 15-100

Product standards: NF EN 50428

Environmental standards:

- European directive 2002/96/EC: WEEE (Waste Electrical and Electronic Equipment)
- European directive 2002/95/EC: RoHS (Restriction of Hazardous Substances)
- Regulations: Public buildings
Workplace buildings
High-rise buildings