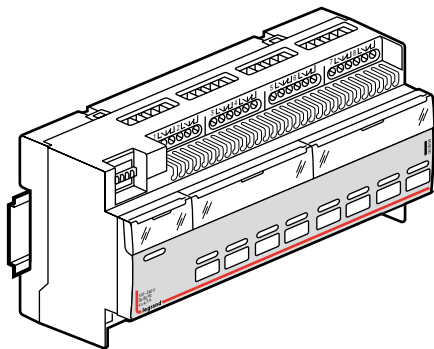


ON/OFF lighting controller - 8 outputs

Catalogue number(s): 0 026 04



CONTENTS

Page

1. Use	1
2. Technical characteristics	1
3. Dimensions	2
4. Connection	2
5. Parameter setting	3
6. Configuration	3
7. Care	3
8. Standards	3

1. USE

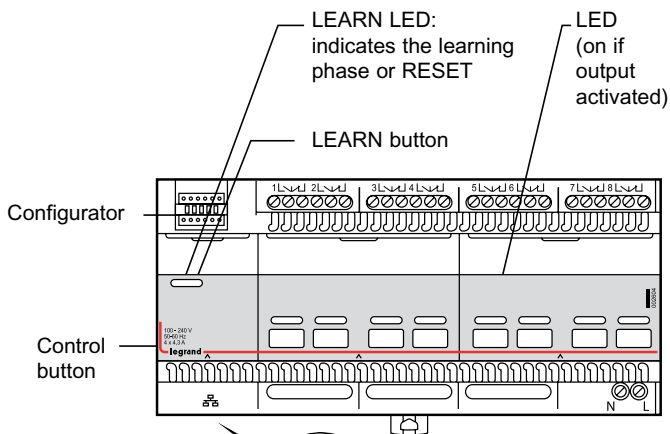
This device is a power unit used for managing lighting loads.

The load(s) can be controlled manually either locally or by SCS control units associated with it (them). They can also be controlled automatically by digital detectors.

The use of SCS control units and digital detectors requires an SCS power supply and an addressing module* to be wired on the BUS.

* The addressing module is not necessary if the installation is equipped with software packs.

2. TECHNICAL CHARACTERISTICS



BUS SCS connection (RJ 45)

- ① Tungsten halogen bulb
- ② Fluorescent tubes
- ③ Tungsten halogen bulb with separate ferromagnetic or electronic transformer
- ④ Compact fluorescent bulbs with built-in ballasts
- ⑤ LED bulb

2. TECHNICAL CHARACTERISTICS (continued)

Number of supply terminal blocks	1
Number of load terminal blocks	8
Connection terminals	
Terminal type	screw
Terminal capacity	
Input	2 x 2.5 mm ²
Output	2 x 1.5 mm ² - 1 x 2.5 mm ²
Contact type	bistable relay
Number of RJ 45	1
Mains voltage	100-240 V~
Frequency	50/60 Hz
Location category	Indoors
Protection index	
Penetration by solid and liquid matter	IP20 (installation in an enclosure)
Impact resistance	IK04
Number of modules	10
Operating temperature	-5°C to +45°C
Storage temperature	-20°C to +70°C
No-load power consumption	0.9 W
Weight	310 g
Zero current breaking	yes

①		②		③		④		⑤		
230 V~	3680 W	16 A	10x(2x36 W)	4.3 A	3680 VA	16 A	1150 VA	5 A	1 x 500 VA	2.1 A
110 V~	1760 W		5x(2x36 W)		1760 VA		550 VA		1 x 250 VA	

ON/OFF lighting controller - 8 outputs

Catalogue number(s): 0 026 04

2. TECHNICAL CHARACTERISTICS (continued)

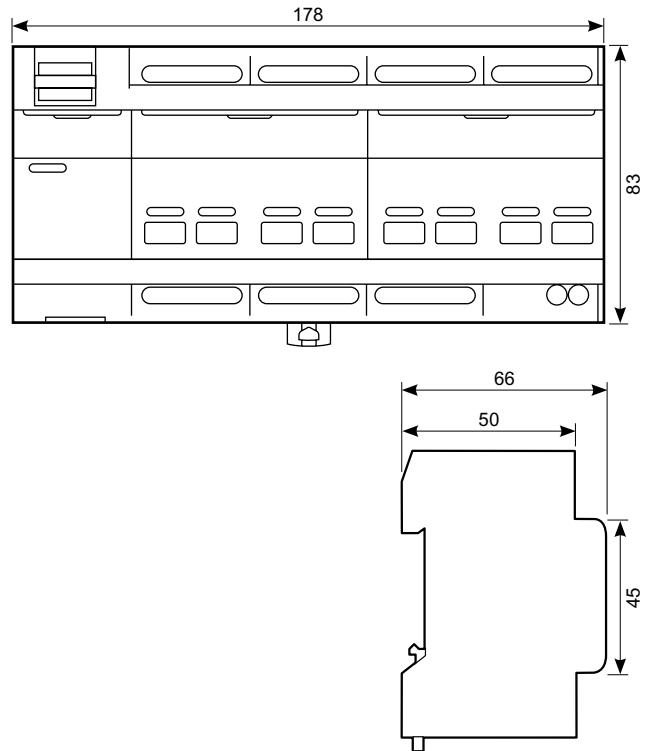
BUS wiring $\square \square \square$:

RJ 45 cord or cable or BUS/SCS cable to be fitted with RJ 45 connector ($\square \square \square$ 500 m max. cord or BUS/SCS cable between the power supply and the furthest product).

Peripherals compatible with the offer:

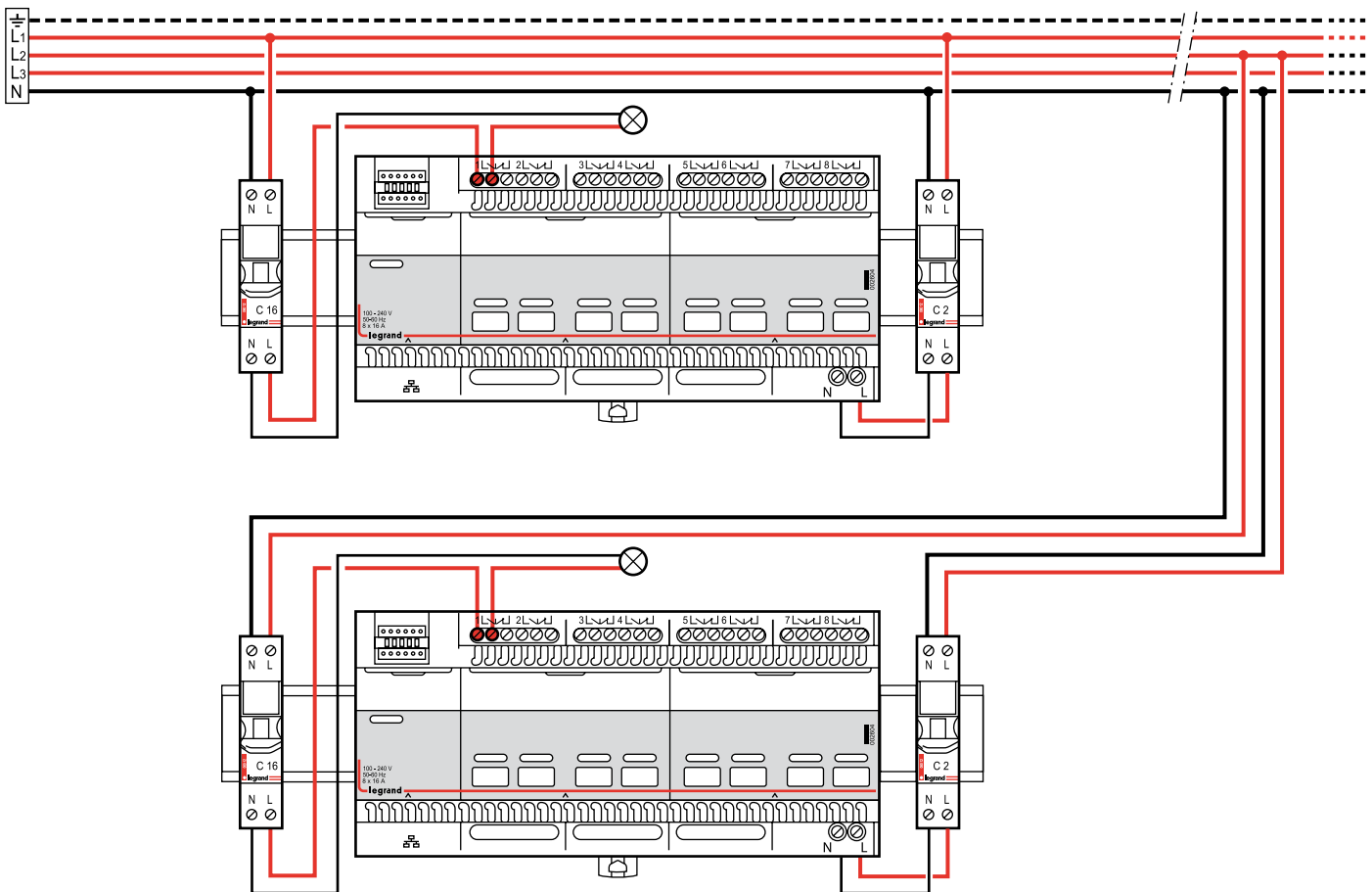
- Digital detectors: infrared, ultrasound or dual technology
- Pushbutton lighting controls
- Switch multifunction controls
- Scenario management

3. DIMENSIONS



4. CONNECTION

All the wiring must be carried out with the mains power off.



IMPORTANT: This product must be used on a single phase to ensure zero current breaking. The output contacts use the same supply phase.

ON/OFF lighting controller - 8 outputs

Catalogue number(s): 0 026 04

5. PARAMETER SETTING

Product configuration in a system:

- Virtual, via software packs
- Physical, via configurators

Consult the relevant technical data sheets for detailed parameter setting of compatible digital detectors.

Note: All technical information is available at



www.legrandoc.com

6. CONFIGURATION

6.1 Physical configuration

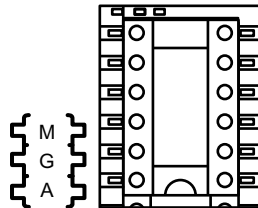
The physical configuration only authorises point-to-point addressing: only one actuator can be controlled by the detector.

- A [1-9]: defines the zone where the controller is located

Catalogue number 0 026 04 has no PL configurator; the address of each actuator is therefore incremented by 1 to 8

- G [1-9]: number of groups to which the actuator is linked

- MOD or M [1-4; PUL; SLA]: provides the operating mode for the configured actuators



MOD or M value	Function
SLA	Slave configuration
PUL	Ignore general and room controls
0	Light
1	Switch-off delay 1 min
2	Switch-off delay 2 min
3	Switch-off delay 3 min
4	Switch-off delay 4 min

6.2 Virtual configuration (MYHOME_Suite software)

Module enabling	Yes - No
Area	0 - 10
Light point	0 - 15
Modality	Master-Slave-Master PUL-Slave PUL
Delayed OFF for Slave (s)	0 - 255 (1)
Type of load	Actuator-Lamp-Valve-Differential restart-Fan-Watering-Controlled socket-Lock
Groups	0 - 255 (up to 10 groups/output)

Note 1): In the Master and Master PUL mode you can set an OFF delay of 0-255 seconds (via MYHOME_Suite) and of 1-4 minutes using the physical configuration. Only for a point-point type control. The ON control activates the Master actuator and the Slave actuator at the same time. The next OFF control deactivates the Master.

To use the «Actuator as a slave with PUL function» and adjust the «Minimum brightness level at power-on» with values 1-100, use MYHOME_suite virtual configuration.

7. CARE

Do not use: acetone, tar-removing cleaning agents or trichloroethylene.

Resistant to the following products: - Hexane (EN 60669-1)

- Methylated spirit
- Soapy water
- Diluted ammonia
- Bleach diluted to 10%
- Window-cleaning products

CAUTION: Always test before using other special cleaning products.

8. STANDARDS

Directive: CE

Installation standards: NFC 15-100

Product standards: NF EN 50428

Environmental standards:

- European directive 2002/96/EC: WEEE (Waste Electrical and Electronic Equipment)
- European directive 2002/95/EC: RoHS (Restriction of Hazardous Substances)
- Regulations: Public buildings
Workplace buildings
High-rise buildings