

| <b>CONTENTS</b>                     | <b>Pages</b> |
|-------------------------------------|--------------|
| 1. Description, use .....           | 1            |
| 2. Range .....                      | 1            |
| 3. Overall dimensions .....         | 2            |
| 4. General characteristics .....    | 2            |
| 5. Setting in situation.....        | 4            |
| 6. Conformity and approvals.....    | 4            |
| 7. Equipments and accessories ..... | 4            |

**1. DESCRIPTION, USE**

- Weatherproof PLEXO3 IP65 cabinets from 2 to 4x18 modules.
- . Impact-resistant reinforced polystyrene material
  - . Removable chassis and faceplates from two-row versions upwards
  - . Two-position rail for modular products and moulded boxes
  - . Spacing between rails: 150 mm
  - . Accommodates perforated plates and plain faceplates for mounting of non-modular products
  - . Fixing of complete Plexo programme flush-mounted on the side of the cabinet from two-row versions upwards
  - . Lockable door handle, tamper-evident cover and faceplate
  - . Door and cabinet totally reversible
  - . Direct perforation entry glands supplied

**2. RANGE**

**■ 2.1 Cabinets without terminal block**

| Cat. Nos | Number of rows | Number of modules |
|----------|----------------|-------------------|
| 6 019 32 | 1              | 2 (+1)            |
| 6 019 94 | 1              | 4                 |
| 6 019 96 | 1              | 6                 |
| 6 019 98 | 1              | 8                 |
| 6 018 31 | 1              | 12                |
| 6 018 32 | 2              | 24                |
| 6 018 33 | 3              | 36                |
| 6 018 35 | 1              | 18                |
| 6 018 36 | 2              | 36                |
| 6 018 37 | 3              | 54                |
| 6 018 38 | 4              | 72                |

**■ 2.2 Cabinets with earth terminal block supplied**

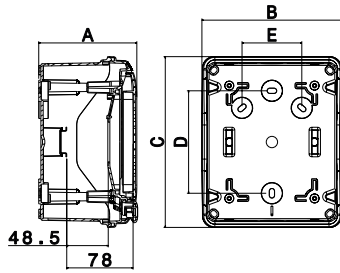
| Cat. Nos | Number of rows | Number of modules |
|----------|----------------|-------------------|
| 6 019 54 | 1              | 4                 |
| 6 019 56 | 1              | 6                 |
| 6 019 58 | 1              | 8                 |
| 6 019 61 | 1              | 12                |
| 6 019 62 | 2              | 24                |
| 6 019 63 | 3              | 36                |
| 6 019 65 | 1              | 18                |
| 6 019 66 | 2              | 36                |
| 6 019 67 | 3              | 54                |
| 6 019 68 | 4              | 72                |

**■ 2.3 Cabinets with earth + neutral terminal block supplied**

| Cat. Nos | Number of rows | Number of modules |
|----------|----------------|-------------------|
| 6 019 74 | 1              | 4                 |
| 6 019 76 | 1              | 6                 |
| 6 019 78 | 1              | 8                 |
| 6 019 81 | 1              | 12                |
| 6 019 82 | 2              | 24                |
| 6 019 83 | 3              | 36                |
| 6 019 85 | 1              | 18                |
| 6 019 86 | 2              | 36                |
| 6 019 87 | 3              | 54                |
| 6 019 88 | 4              | 72                |

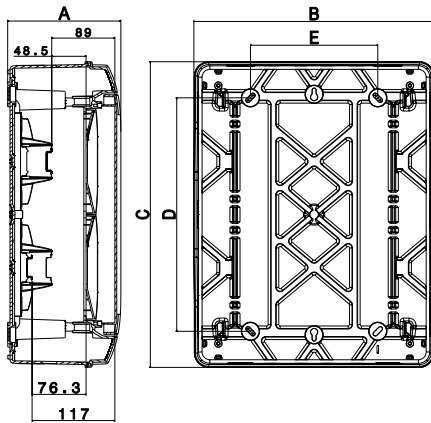
**3. OVERALL DIMENSIONS**

■ **3.1 Two to eight modules cabinets**



| Cat. Nos       | Dimensions (mm) |     |     |     |     |
|----------------|-----------------|-----|-----|-----|-----|
|                | A               | B   | C   | D   | E   |
| 6 019 32       | 109             | 93  | 174 | 94  | -   |
| 6 019 54/74/94 | 115.6           | 128 | 200 | 120 | -   |
| 6 019 56/76/96 | 115.6           | 164 | 200 | 120 | 70  |
| 6 019 58/78/98 | 115.6           | 200 | 200 | 120 | 106 |

■ **3.2 Twelve to eighteen-modules cabinets**



| Cat. Nos                | Dimensions (mm) |     |     |     |     |
|-------------------------|-----------------|-----|-----|-----|-----|
|                         | A               | B   | C   | D   | E   |
| 6 018 31<br>6 019 61/81 | 141             | 340 | 282 | 180 | 180 |
| 6 018 32<br>6 019 62/82 | 161             | 340 | 432 | 330 | 180 |
| 6 018 33<br>6 019 63/83 | 161             | 340 | 622 | 480 | 180 |
| 6 018 35<br>6 019 65/85 | 141             | 448 | 282 | 180 | 290 |
| 6 018 36<br>6 019 66/86 | 161             | 448 | 432 | 330 | 290 |
| 6 018 37<br>6 019 67/87 | 161             | 448 | 622 | 480 | 290 |
| 6 018 38<br>6 019 68/88 | 161             | 448 | 822 | 680 | 290 |

**4. GENERAL CHARACTERISTICS**

■ **4.1 Technical characteristics**

- . Box colour : light grey L750A
- . Cover colour : dark grey RAL 7046
- . Door colour : transparent blue
- . Protection index : IP65 - IK09
- . Self-extinguishing : 650°C
- . Class II double insulation
- . Rated operating voltage : 400 V AC – 50/60 Hz
- . Rated insulation voltage : 400 V AC – 50/60 Hz
- . Short-circuit current: 10 kA
- . Storage and installation temperature:
  - Two to eight modules cabinets : -15°C to +55°C (+70°C/24 H)
  - Twelve to eighteen modules cabinets : -25°C to +55°C (+70°C/24 H)
- . Operating temperature : -25°C to 40°C
- . Max. permitted current :
  - 6 019 32/94/96/74/76/54/56: 32 A
  - 6 019 38/98/78/58: 40 A
  - 6 018 31/35, 6019 81/85/61/65: 63 A
  - 6 018 32/33/36, 6019 82/83/86/62/63/66: 90 A
  - 6 018 37/38, 6019 87/88/67/68: 125 A
- . Permissible loads : 40N per row

| Cat. Nos                | Max permissible current | Dissipated power (Pde) |
|-------------------------|-------------------------|------------------------|
| 6 019 32                | 32 A                    | 7 W                    |
| 6 019 54/74/94          | 32 A                    | 10 W                   |
| 6 019 56/76/96          | 32 A                    | 12 W                   |
| 6 019 58/78/98          | 40 A                    | 15 W                   |
| 6 018 31<br>6 019 61/81 | 63 A                    | 25 W                   |
| 6 018 32<br>6 019 62/82 | 90 A                    | 32 W                   |
| 6 018 33<br>6 019 63/83 | 90 A                    | 48 W                   |
| 6 018 35<br>6 019 65/85 | 63 A                    | 37 W                   |
| 6 018 36<br>6 019 66/86 | 90A                     | 40 W                   |
| 6 018 37<br>6 019 67/87 | 125 A                   | 65 W                   |
| 6 018 38<br>6 019 68/88 | 125 A                   | 67 W                   |

■ **4.2 Materials**

- . Box, cover, rail brackets, terminal brackets, hinge cover and faceplate : impact reinforced polystyrene
- . Door : transparent polycarbonate
- . Handle and door identifier indicator light : polycarbonate
- . Handle bar : glassfibre-reinforced polycarbonate
- . Entry glands : polypropylene + SEBS
- . Cover/box screws and springs : stainless steel
- . Other screws : zinc-coated steel
- . Rails : galvanised steel

■ 4.3 Number of knockouts

The cabinet has the same number of knockouts on the top and the bottom and on the left and the right.

| Cat. Nos    | Number of knockouts (top / bottom) |        |        | Number of membrane glands supplied |        |        |
|-------------|------------------------------------|--------|--------|------------------------------------|--------|--------|
|             | Ø20 mm                             | Ø25 mm | Ø32 mm | Ø20 mm                             | Ø25 mm | Ø32 mm |
| 6 019 32    | 2                                  | -      | -      | 2                                  | -      | -      |
| 6 019 54/74 | 2                                  | 1      | -      | 2                                  | 1      | -      |
| 6 019 94    | 2                                  | 1      | -      | -                                  | -      | -      |
| 6 019 56/76 | 4                                  | 1      | -      | 4                                  | 1      | -      |
| 6 019 96    | 4                                  | 1      | -      | -                                  | -      | -      |
| 6 019 58/78 | 6                                  | 1      | -      | 6                                  | 1      | -      |
| 6 019 98    | 6                                  | 1      | -      | -                                  | -      | -      |
| 6 018 31    | 7                                  | 2      | 2      | -                                  | -      | -      |
| 6 019 61/81 | 7                                  | 2      | 2      | 7                                  | 2      | 1      |
| 6 018 32    | 13                                 | 2      | 2      | -                                  | -      | -      |
| 6 019 62/82 | 13                                 | 2      | 2      | 13                                 | 2      | 1      |
| 6 018 33    | 13                                 | 2      | 2      | -                                  | -      | -      |
| 6 019 63/83 | 13                                 | 2      | 2      | 13                                 | 2      | 1      |
| 6 018 35    | 12                                 | 2      | 3      | -                                  | -      | -      |
| 6 019 65/85 | 12                                 | 2      | 3      | 11                                 | 2      | 1      |
| 6 018 36    | 13                                 | 4      | 3      | -                                  | -      | -      |
| 6 019 66/86 | 13                                 | 4      | 3      | 13                                 | 2      | 1      |
| 6 018 37    | 13                                 | 4      | 3      | -                                  | -      | -      |
| 6 019 67/87 | 13                                 | 4      | 3      | 13                                 | 4      | 1      |
| 6 018 38    | 13                                 | 4      | 3      | -                                  | -      | -      |
| 6 019 68/88 | 13                                 | 4      | 3      | 13                                 | 4      | 1      |

| Cat. Nos                | Number of knockouts (left / right) |        |                              |
|-------------------------|------------------------------------|--------|------------------------------|
|                         | Ø20 mm                             | Ø32 mm | Assembly socket outlet Plexo |
| 6 019 32                | -                                  | -      | -                            |
| 6 019 54/74/94          | 2                                  | -      | -                            |
| 6 019 56/76/96          | 2                                  | -      | -                            |
| 6 019 58/78/98          | 2                                  | -      | -                            |
| 6 018 31<br>6 019 61/81 | -                                  | 2      | -                            |
| 6 018 32<br>6 019 62/82 | -                                  | 3      | 2                            |
| 6 018 33<br>6 019 63/83 | -                                  | 4      | 2                            |
| 6 018 35<br>6 019 65/85 | -                                  | 2      | -                            |
| 6 018 36<br>6 019 66/86 | -                                  | 3      | 2                            |
| 6 018 37<br>6 019 67/87 | -                                  | 4      | 2                            |
| 6 018 38<br>6 019 68/88 | -                                  | 5      | 2                            |

■ 4.4 Terminal blocks capacity

Cabinets without terminal blocks

|          |  |
|----------|--|
| Cat. Nos | 6 018 31/32/33/35/36/37/38<br>6 019 32<br>6 019 94/96/98 |
|----------|--|

Cabinets with earth terminal block supplied

| Cat. Nos | IP 2X Terminal blocks<br>Screw terminals Earth |                        |
|----------|--|------------------------|
|          | 1.5 - 16 mm <sup>2</sup>                       | 6 - 25 mm <sup>2</sup> |
| 6 019 54 | 4  | -                      |
| 6 019 56 | 4  | -                      |
| 6 019 58 | 8  | -                      |
| 6 019 61 | 12   | 1                      |
| 6 019 62 | 16   | 1                      |
| 6 019 63 | 21   | 1                      |
| 6 019 65 | 16   | 1                      |
| 6 019 66 | 21   | 1                      |
| 6 019 67 | 26   | 1                      |
| 6 019 68 | 34   | 1                      |

Cabinets with earth + neutral terminal block supplied

| Cat. Nos | IP 2X Terminal blocks    |                        |                          |                        |
|----------|--------------------------|------------------------|--------------------------|------------------------|
|          | Screw terminals Earth    |                        | Screw terminals Neutral  |                        |
|          | 1.5 - 16 mm <sup>2</sup> | 6 - 25 mm <sup>2</sup> | 1.5 - 16 mm <sup>2</sup> | 6 - 25 mm <sup>2</sup> |
| 6 019 74 | 4                        | -                      | 4                        | -                      |
| 6 019 76 | 4                        | -                      | 4                        | -                      |
| 6 019 78 | 8                        | -                      | 8                        | -                      |
| 6 019 81 | 12                       | 1                      | 12                       | 1                      |
| 6 019 82 | 16                       | 1                      | 16                       | 1                      |
| 6 019 83 | 21                       | 1                      | 21                       | 1                      |
| 6 019 85 | 16                       | 1                      | 16                       | 1                      |
| 6 019 86 | 21                       | 1                      | 21                       | 1                      |
| 6 019 87 | 26                       | 1                      | 26                       | 1                      |
| 6 019 88 | 34                       | 1                      | 34                       | 1                      |

■ 4.5 Number of blanking plates 5 modules

Cabinets without blanking plates

|          |   |
|----------|---|
| Cat. Nos | 6 018 31/32/33/35/36/37/38<br>6 019 32<br>6 019 54/56/58/74/76/78<br>6 019 94/96/98 |
|----------|---|

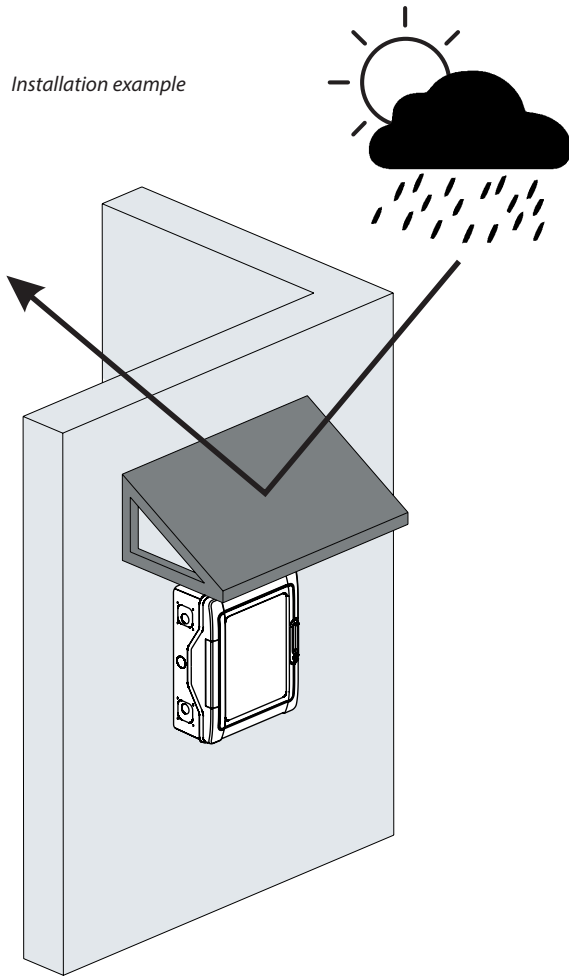
Cabinets with blanking plates supplied

| Cat. Nos                | Number of blanking plates 5M |
|-------------------------|------------------------------|
| 6 019 61/65/81/85       | 1                            |
| 6 019 62/63/66/82/83/86 | 2                            |
| 6 019 67/68/87/88       | 3                            |

### 5. SETTING IN SITUATION

Installation of cabinet under cover recommended

Installation example



### 6. CONFORMITY AND APPROVALS

CEI 62 208 edition august 2011  
CEI 60 695-2-11 edition february 2014 (fire resistance)  
CEI 62 262 edition february 2002 (impact resistance IK)  
RoHS  
WEEE  
REACH

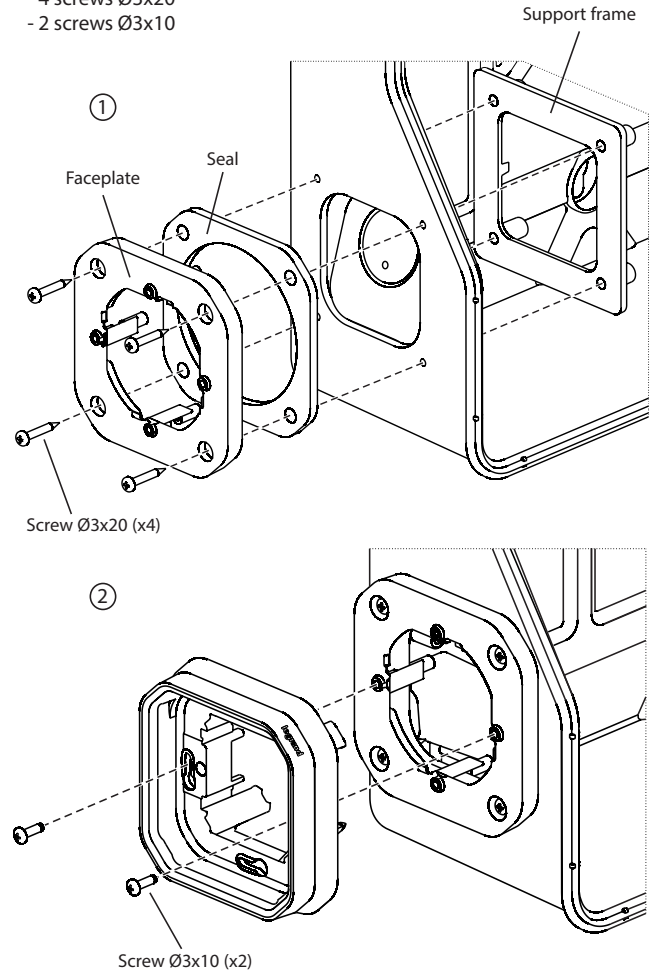
### 7. EQUIPMENTS AND ACCESSORIES

#### 7.1 Plate for fixing flush-mounted Plexo wiring devices

Cat. No. 001971

Composed of :

- 1 support frame
- 1 seal
- 1 faceplate
- 4 screws Ø3x20
- 2 screws Ø3x10



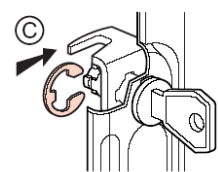
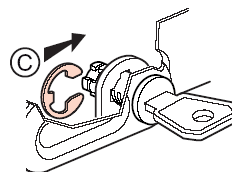
#### 7.2 Key lock

Cat. No. 001966

Key lock no. 850

2 to 8 modules cabinets

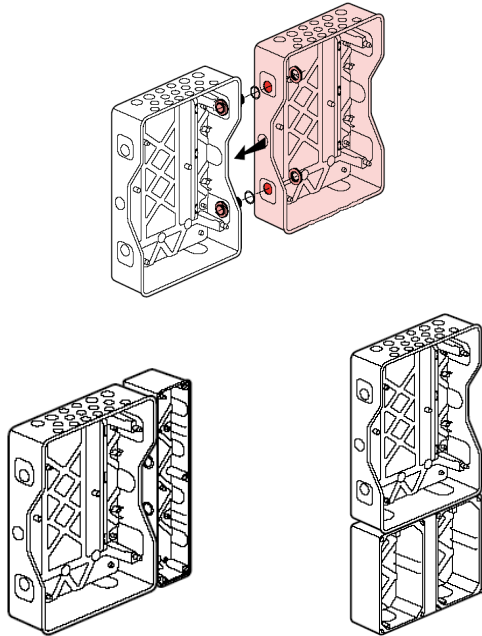
12 and 18 modules cabinets



■ 7.3 Joining kit

Cat. No. 001967

Used to run cables between two cabinets or horizontal or vertical multifunction sleeves, while maintaining IP65 protection. Composed of 2 joining kits, 4 nuts and 4 seals.

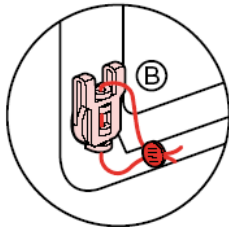


■ 7.4 Sealing kit

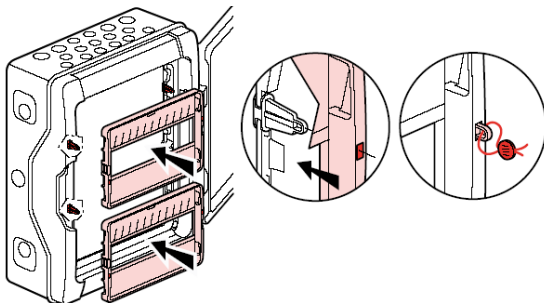
Cat. No. 001968

Set of two sealable terminal shields for covers and eight sealable brackets for faceplates.

- Sealable terminal shields for covers

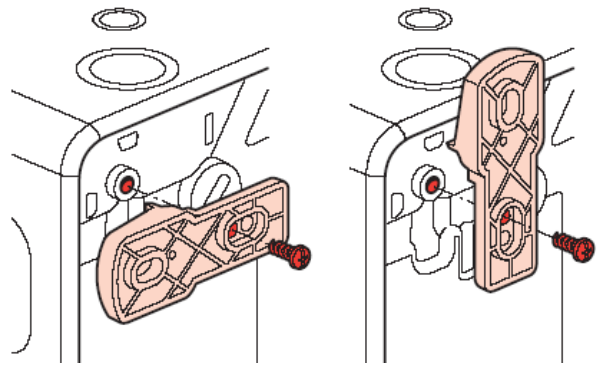


- Sealable brackets for faceplates



■ 7.5 Set of four wall mounting lugs

Cat. No. 001969

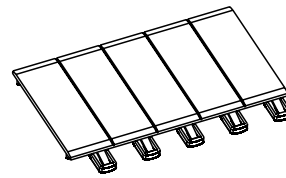


Two modules cabinets: vertical only.

■ 7.6 Blanking plates

Cat. No. 001961

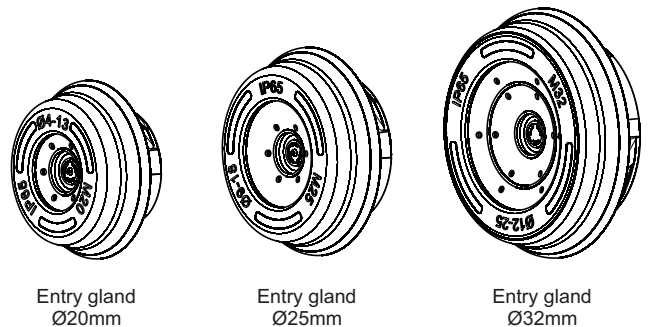
Set of five, separable into modules or half-modules, dark grey RAL 7046.



■ 7.7 Direct perforation entry glands

These entry glands maintain the cabinet's IP65 and IK09 ratings.

| Cat. Nos | Number of entry glands supplied |        |        |
|----------|---------------------------------|--------|--------|
|          | Ø20 mm                          | Ø25 mm | Ø32 mm |
| 0 019 55 | 10                              | 5      | 2      |
| 0 019 56 | 100                             | -      | -      |
| 0 019 57 | -                               | 100    | -      |
| 0 019 58 | -                               | -      | 100    |



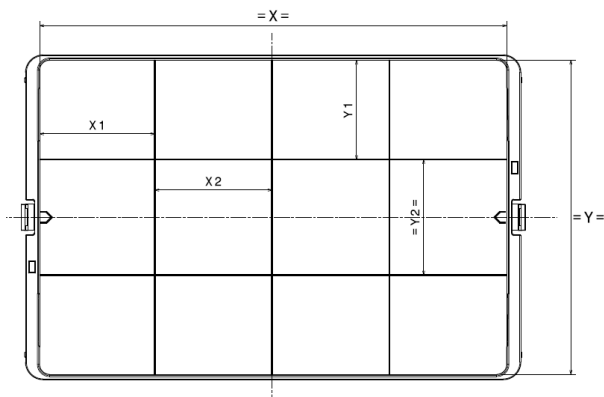
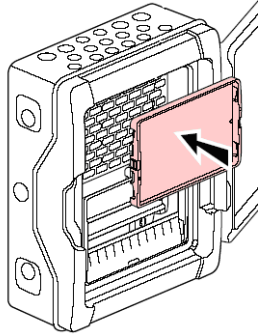
■ 7.8 Plain faceplates

Cat. No. 0 019 64

For 12 modules cabinets from 2 rows

Cat. No. 0 019 65

For 18 modules cabinets from 2 rows

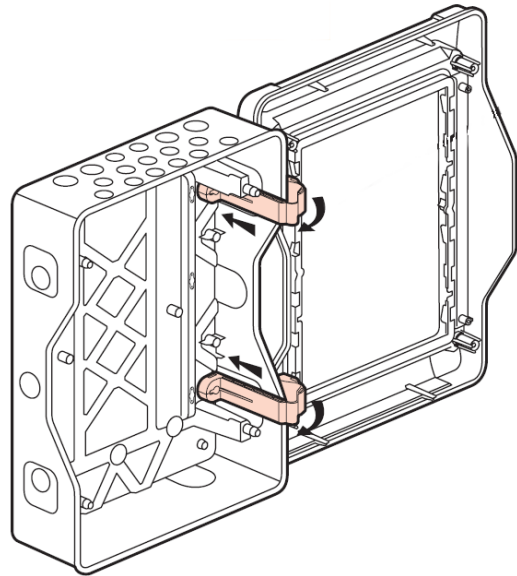


| Cat. Nos. | X   | X1 | X2 | Y   | Y1 | Y2 |
|-----------|-----|----|----|-----|----|----|
| 0 019 64  | 215 | 53 | 54 | 145 | 45 | 53 |
| 0 019 65  | 324 | 53 | 54 | 145 | 45 | 53 |

■ 7.9 Hinges

Cat. No. 0 019 70

Set of 2 hinges connecting the back of the cabinet to the cover.



■ 7.10 Perforated plates supplied with four fixing screws

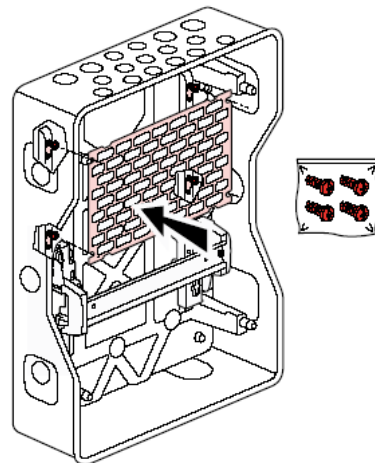
Cat. No. 0 019 62

For 12 modules cabinet, height 150 mm

Cat. No. 4 018 53

For 18 modules cabinet, height 150 mm

Used to replace the DIN rail with a LINA 25 plate to incorporate non-modular products.



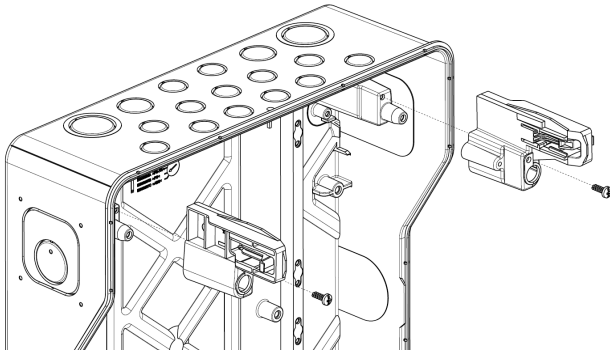
■ 7.11 Terminal block supports

Cat. No. 0 019 72

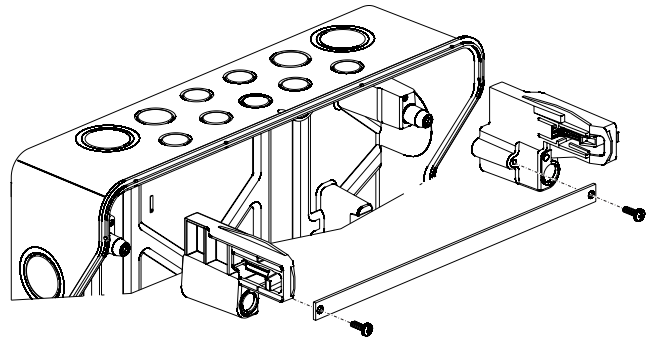
Terminal block support for 1 and 2 rows cabinets, 12 and 18 modules per row

Cat. No. 0 019 73

Terminal block support for 3 and 4 rows cabinets, 12 and 18 modules per row



Mounting on terminal block support



■ 7.12 Empty terminal block support

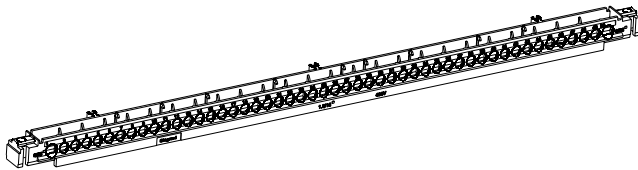
Cat. No. 0 048 17

Empty support 35 holes (length 276 mm) for 12 modules cabinets

Cat. No. 4 048 21

Empty support 50 holes (length 385 mm) for 18 modules cabinets

Take unprotected screw terminal blocks



| Width of cabinet | Length L (mm) |                           | Distance between centres X (mm) |                           |
|------------------|---------------|---------------------------|---------------------------------|---------------------------|
|                  | On cabinet    | On terminal block support | On cabinet                      | On terminal block support |
| 12 modules       | 280           | 248                       | 260                             | 240                       |
| 18 modules       | 380           | 355                       | 368                             | 348                       |

■ 7.13 Flat bar 12x2

Cat. No. 0 048 19

Flat bar 12x2 used to receive IP 2X terminal blocks.

Can be used in 12 and 18 modules cabinets from 1 to 4 rows.

Assembled by screwing directly on cabinet or on terminal block support.

Dimensions of screw to assembly on flat bar :

Thread diameter : Ø4 mm

Max. length under head : 12 mm

Mounting directly on cabinet

