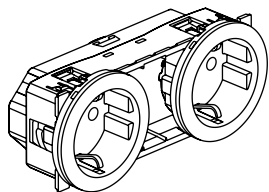
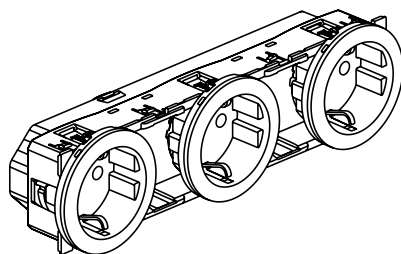


Céliane™ Schuko standard pre-wired socket outlets

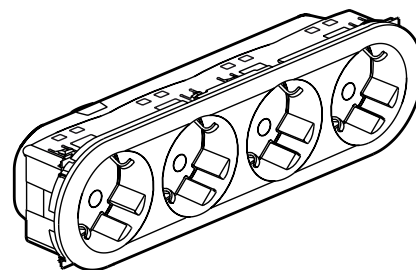
Cat. No(s): 671 42/43/44/62/63/64



671 42/62



671 43/63



671 44/64

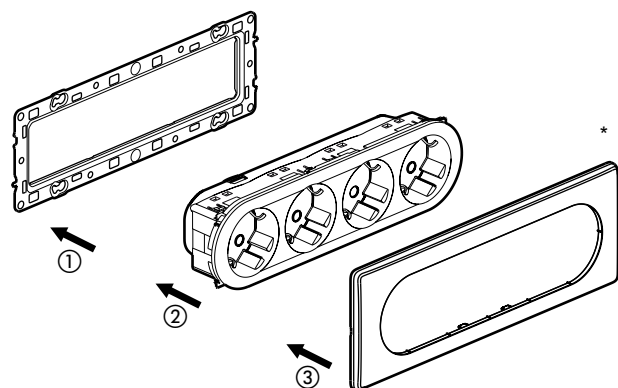
1. USE

16 A - 250 V~ German standard socket outlet

2. RANGE

Designation		Cat. No.	Number of sockets	Connection method	Weight (g)
2P+E two-gang socket	White cover plate	671 42	2	auto	81.50
	Titanium cover plate	671 62			
2P+E three-gang socket	White cover plate	671 43	3	auto	124.75
	Titanium cover plate	671 63			
2P+E four-gang socket	Enjoliveur blanc	671 44	4	auto	135.70
	Titanium cover plate	671 64			

3. INSTALLATION

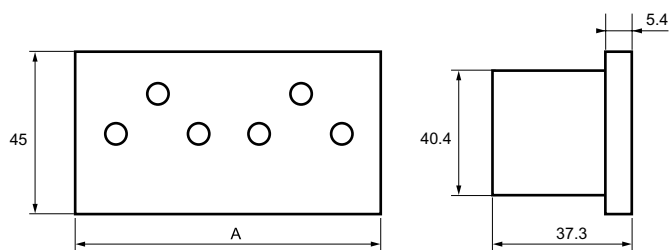


*not supplied with mechanism

- 1 - Clip the rear of the mechanism onto the support frame
- 2 - Clip the plate on to the support frame

Horizontal and vertical multi-gang installation
for Cat. Nos 671 42/43/62/63 and horizontal for Cat. Nos 671 44/64.

4. DIMENSIONS



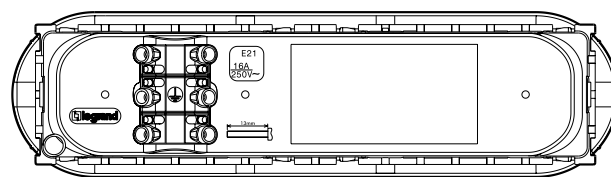
	671 42/62	671 43/63	671 44/64
A	116.1 mm	187.1 mm	180.6 mm

5. CONNECTION

Automatic terminals

Terminal capacity: 2 x 2.5 mm²

Strip the wires to a length of 13 mm (strip length marking on one side of box).



Schuko standard pre-wired socket outlets**6. OPERATION**

Cat. Nos. 671 42/62/43/63/44/64

Conventional operation by inserting or removing an industry-standard plug.

7. GENERAL CHARACTERISTICS**7.1 Mechanical characteristics**

IP20

IK04

7.2 Material characteristics

Mechanism: grey polypropylene

Base: grey polycarbonate

Self-extinguishing: 850° C / 30 s.

7.3 Electrical characteristics

Voltage: 250 V AC

Current: 16 A

7.4 Climatic characteristics

- 5° C to + 35° C

8. CONFORMITY AND APPROVALS

Pending.