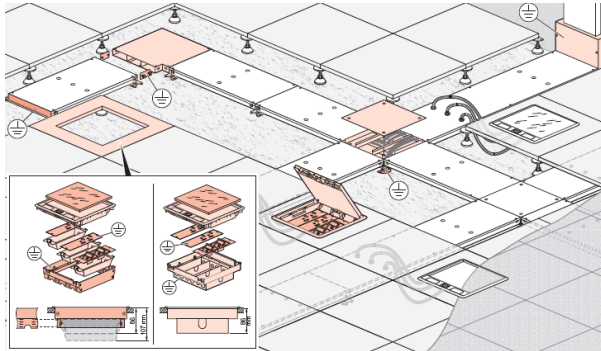


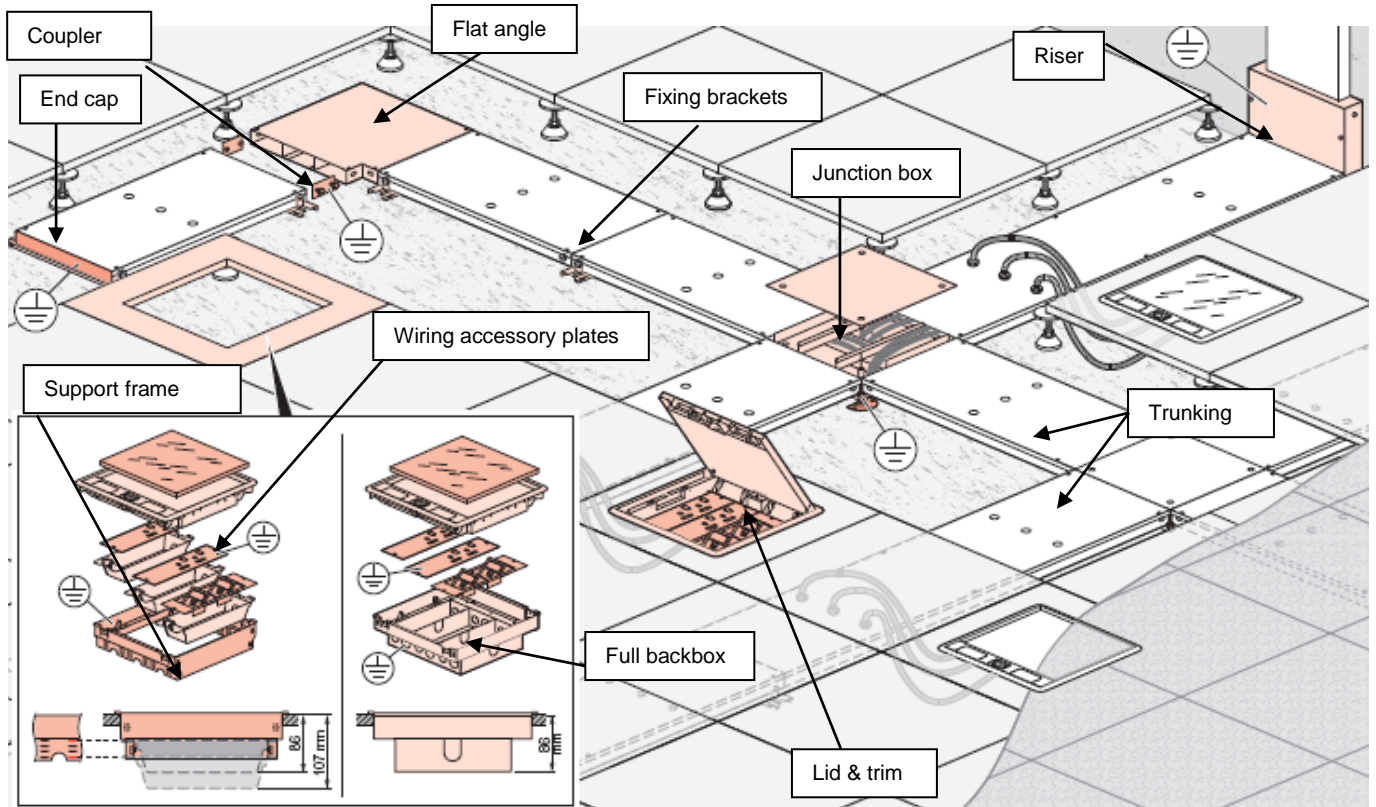
Raised Floor system

Number(s) :
6897 55/67/70/71/73/74/77/78/80/81/82/83/85/86/87/88/89,
6896 30/31/32/33/38/39/40/41/42/43/48/49/60/61/92/93



CONTENTS	PAGES
1. Range	1 to 3
2. Installation process	4 to 10
3. Products details	11 to 22
4. Technical characteristics	22 to 24

1 RANGE.



	Fixing brackets	Coupler	End cap	Leveling	Riser	Junction box	Flat angle	Full Backbox	Backbox - multibaskets			Lid & Trim		Stainless steel insert	
				X 4				3 compt	4 compt	3 compt	4 compt	Rigid cable exits	Soft cable exits		
225 x 38 (mm) Metal	6897 70		6897 85	6897 87	6897 82	6897 80 or 6897 78 or 6897 81	6897 73					3 compt grey	6896 30	6896 31	6896 92
	6897 55	6897 77		6897 88				6896 38	6896 48	6896 39	6896 49	6896 60	6896 33	6896 33	
300 x 38 (mm) Metal	6897 71		6897 86	6897 89	6897 83		6897 74					4 compt grey	6896 40	6896 41	6896 93
												4 compt beige	6896 42	6896 43	

CONTENTS

1 RANGE pages 1 to 3
1- Raised Floor provides adaptable power, data, audio & video distribution in raised floors. 2- Raised Floor System 3- Cable Capacity Guide
2 INSTALLATION PROCESS pages 4 to 10
1- Installation. 2- Junction box ref 6896 78/80/81 3- Support frame ref 6896 39/49 4- Full backbox (frame + support) ref 6896 38/48 5- Lid & trim ref 6896 30/31/32/33/40/41/42/43
3 PRODUCT DETAILS pages 11 to 22
1- Junction Boxes ref 6897 78/80/81 2- Riser ref 6897 82/83 3- Trunkings ref 6897 70/71 4- Fixing brackets ref 6897 55 5- Coupler ref 6897 77 6- Leveling brackets ref 6897 87/89 7- Flat angle ref 6897 73/74 8- End cap ref 6897 85/86 9- Modules ref 6896 60/61 10- Full backbox ref 6896 38/48 11- Support frame ref 6896 39/49 12- Wiring Accessory Plates 13- Lid & trim ref 6896 30/31/32/33/40/41/42/43 14- Stainless steel insert ref 6896 92/93
4 TECHNICAL CHARACTERISTICS page 23

1 RANGE.

1- Raised Floor box provides adaptable power and data distribution in raised floors.

The system ensures a fast and simple installation.
Designed to support Cat 6 structured cabling systems.
Lid & trim are IP20 rated in accordance with EN 50085-2-2 and EN 60670-23
Choice of 3 or 4 compartments lid & trim.
Self Closing lid in accordance with IEC 61534-22.

Lid & trim: plastic material ABS/PA 6.6 FV
Rigid & flexible exits: plastic material ABS/TPEE
Stainless steel insert: stainless steel material AISI 304

2- Raised Floor System:

Materials Pre-galvanised steel (DX51D Z275 MAC)
Fire: The outer casing of the floor outlet box is manufactured from metal and is no-combustible.
Chemical resistance: Non corrosive.
Water absorption: The floor outlet boxes are for use in situations where the cleaning method used does not result in the formation of pools of liquid or soaking of the floor surface.
Degree of protection: Enclosure classification of IP20 when installed in accordance with the instructions set out in the installation guide.

Ambient Temperature Range:

Handling and storage -25°C minimum
During installation -5°C 60°C
Application -5°C 40°C

Metal trunking and Accessories:

Material Pre-galvanised sheet steel (DX51D Z275 MAC)

Cleaning:

The exterior should only be cleaned using a damp cloth

Raised Floor system

Number(s) :

6897 55/67/70/71/73/74/77/78/80/81/82/83/85/86/87/88/89,

6896 30/31/32/33/38/39/40/41/42/43/48/49/60/61/92/93

1 RANGE.

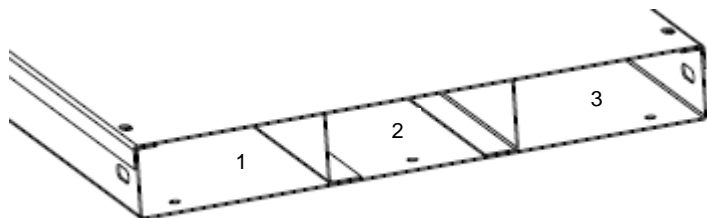
3- Cable Capacity Guide:

The number and location of boxes will depend on the end user requirements.

If the furniture layout is available, a lid & trim should be considered for each workstation or desk.

If the final furniture layout is not available, the minimum recommended distribution is one lid & trim for every 10m², and the maximum being one lid & trim per 4m².

Compartment 1, 2 and 3 have the same capacity



45% available cross section

for power cables		Number of PVC stranded							Twin & earth		
Metal trunking	Section 45% Fill mm ²	1,5 ² Ø3.3 mm	2,5 ² Ø4 mm	4 ² Ø4.6 mm	6 ² Ø5.2 mm	10 ² Ø6.7 mm	16 ² Ø7.8 mm	25 ² Ø9.7 mm	2,5 ² Ø10.5 mm	4 ² Ø11.2 mm	6 ² Ø13.7 mm
 225x38 1 2 3	1134	132	90	68	53	32	24	15	13	11	8
 300x38 1 2 3	1584	184	126	95	75	45	33	21	18	16	11

for data cables		Number of Data cables			
Metal trunking	Section 45% Fill mm ²	cat 5E UTP Ø5.5mm	cat 5E STP Ø6mm	cat 6 UTP Ø6.5mm	cat 6 STP Ø7mm
 225x38 1 2 3	1134	38	32	27	23
 300x38 1 2 3	1584	52	44	38	32

Raised trunking system complies with EN50085-1: 2005 and draft EN50085 Part 2-2.

The above table gives the available capacity units on 45% factor, applied to the internal wiring area.

Raised Floor system

Number(s) :

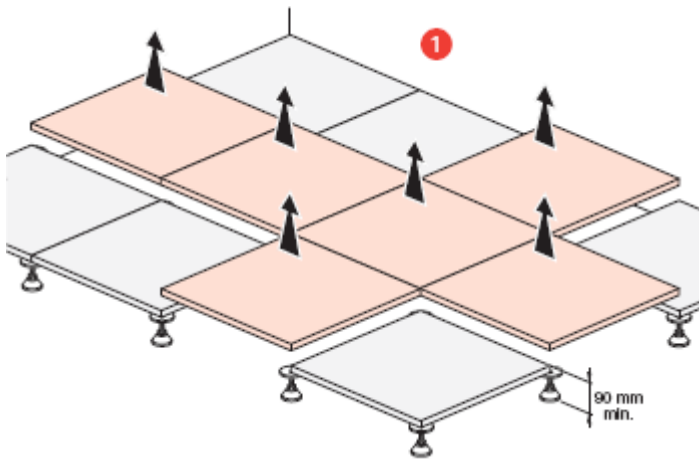
6897 55/67/70/71/73/74/77/78/80/81/82/83/85/86/87/88/89,

6896 30/31/32/33/38/39/40/41/42/43/48/49/60/61/92/93

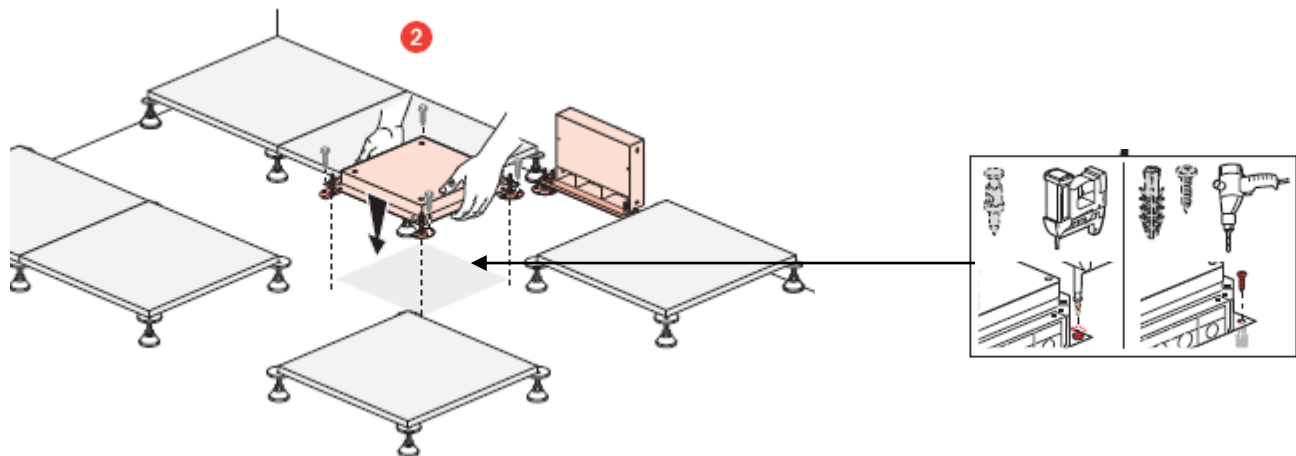
2 INSTALLATION PROCESS

1- Installation.

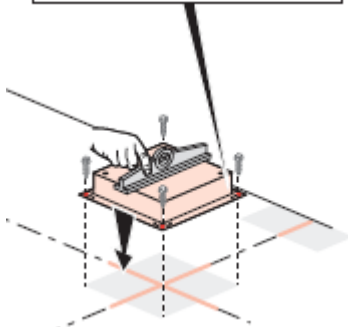
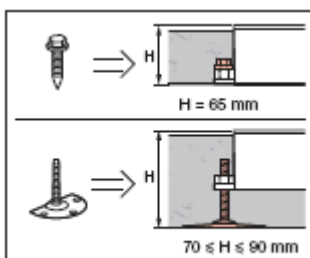
A- Remove the raised access floor tiles along the required pathway



Fix the junction boxes, risers and flat angles to the slab at the required location



(level if required, use leveling brackets cat.No 6897 88)



Raised Floor system

Number(s) :

6897 55/67/70/71/73/74/77/78/80/81/82/83/85/86/87/88/89,

6896 30/31/32/33/38/39/40/41/42/43/48/49/60/61/92/93

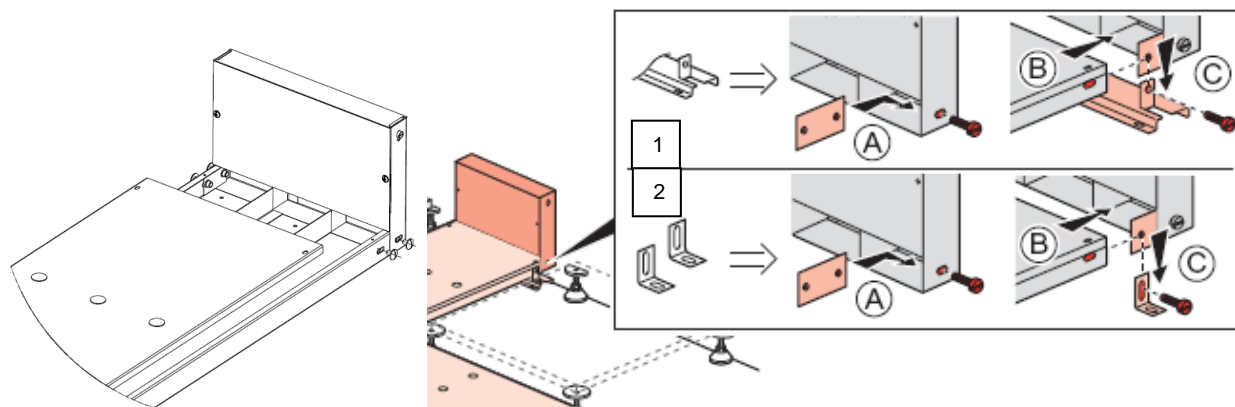
2 INSTALLATION PROCESS (continued)

1- Installation (continued)

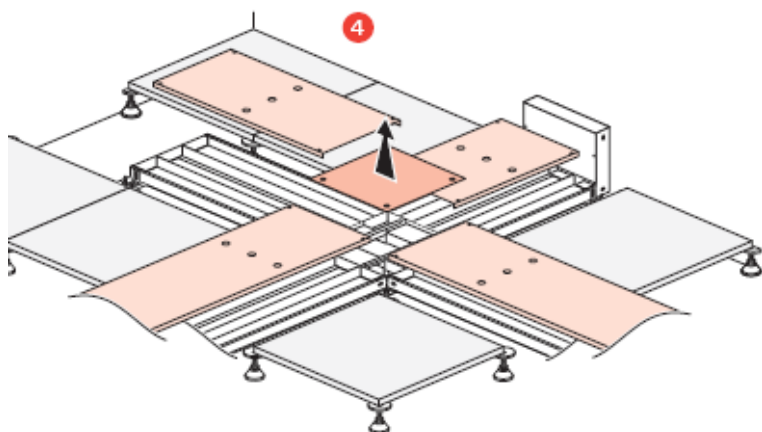
B- Fix trunking and all accessories with fixing brackets to the slab

(1- with levelling, 2- without levelling)

3



C- Remove all covers for cabling

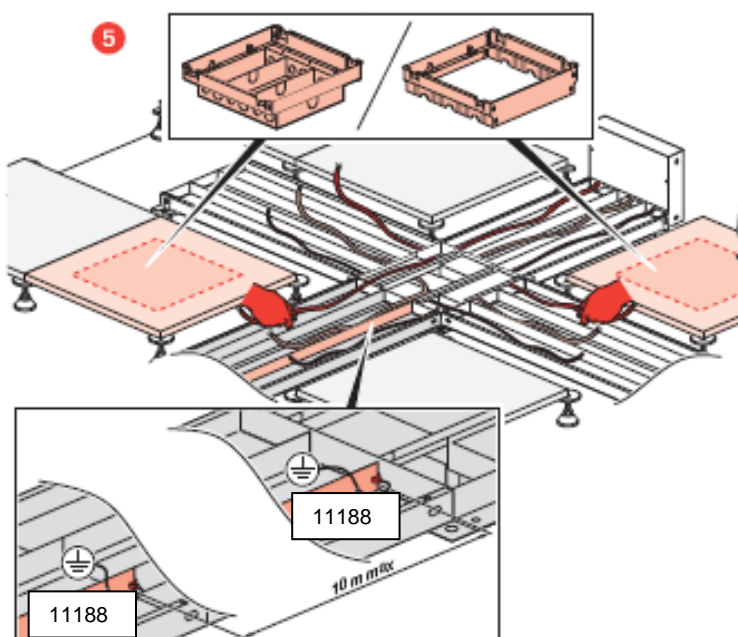


D- Cut raised access floor tiles according to backbox size and earth the system (maximum every 10meters)

Full Backbox

Support frame

5



Raised Floor system

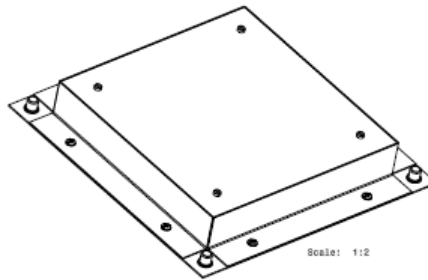
Number(s) :

6897 55/67/70/71/73/74/77/78/80/81/82/83/85/86/87/88/89,

6896 30/31/32/33/38/39/40/41/42/43/48/49/60/61/92/93

2 INSTALLATION PROCESS (continued)

2- Junction box ref 6896 78/80/81



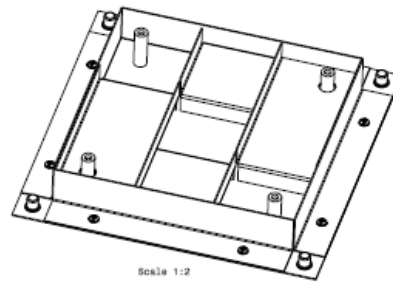
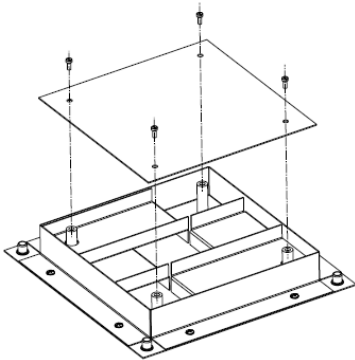
The junction box is used for simple junction or connection point. The junction box should be positioned directly on the slab and provides access to cables at the intersection of trunkings or changes of direction.

The junction box allows deviation of power and data cable, adjustable height with 4 leveling brackets ref 6897 88 (details on page 5)

Junction Boxes are supplied as a base with a lid and flyovers

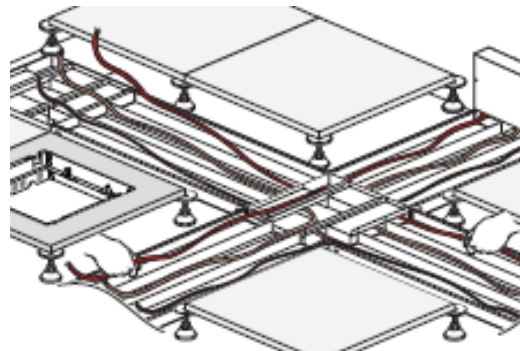
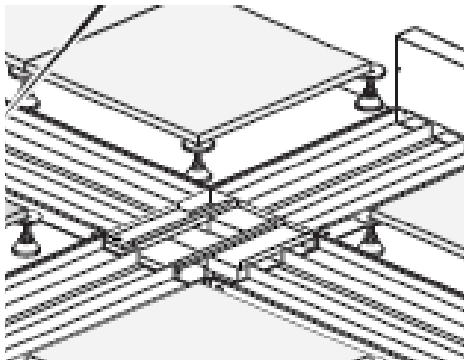
1- Fix the junction box on the slab and remove the lid

2- pull the flyovers out of the junction

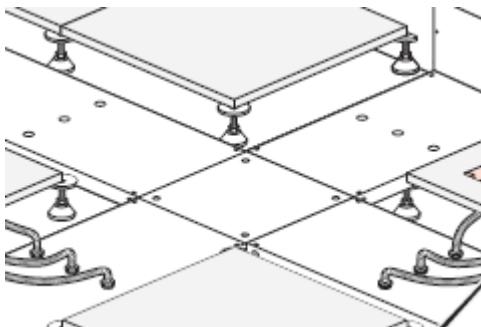


3- Connect to the trunking with screws and remove the covers

4- cable the trunking



4- Refix the lid and cover of the trunking



Raised Floor system

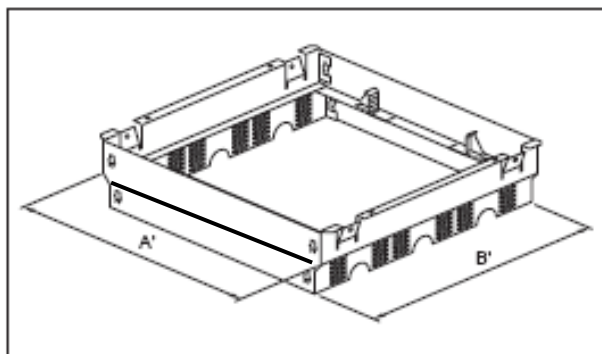
Number(s) :








6897 55/67/70/71/73/74/77/78/80/81/82/83/85/86/87/88/89,

6896 30/31/32/33/38/39/40/41/42/43/48/49/60/61/92/93

2 INSTALLATION PROCESS (continued)

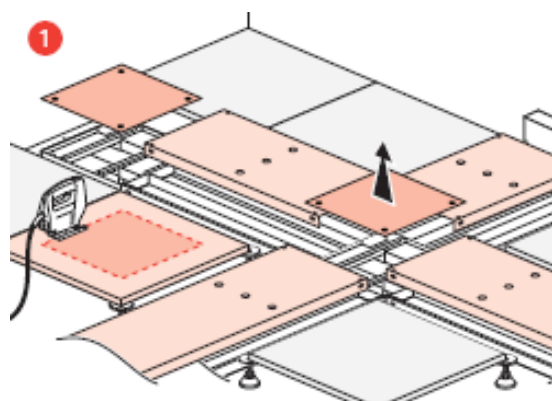
3- Support frame ref 6896 39/49



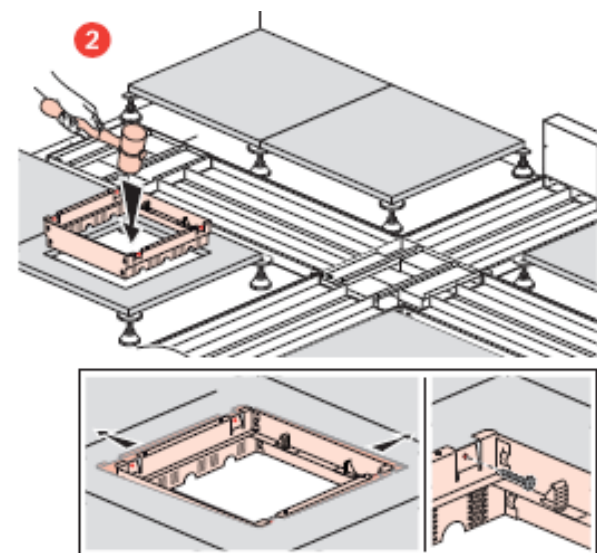
	A	B	6896 60	6896 61	6896 60 + 6896 61
6896 39	264	264	 x 3	-	 + 
6896 49	264	341	 x 4	 x 2	 x 2 + 

Tolerance for dimensions A and B = 0 / +2mm

1- Remove all covers for cabling and cut raised floor tiles according to backbox size

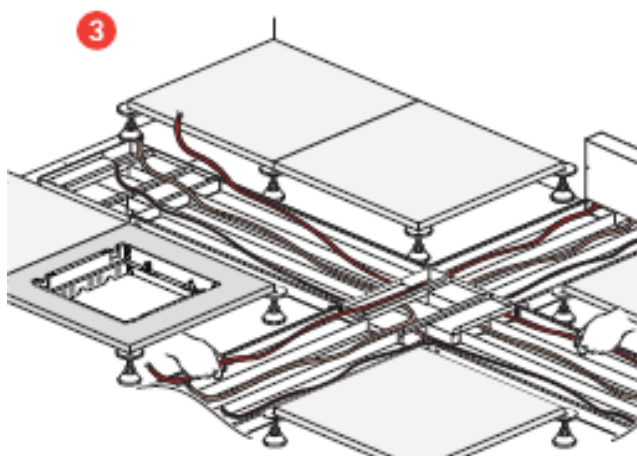


2- Backbox installation in the raised access floor tile is a push and fit principle.



Fixing by means for screw also possible

3- cable the trunking



Raised Floor system

Number(s) :

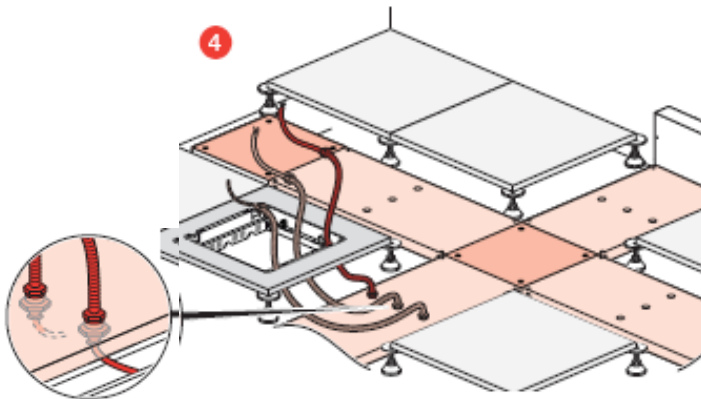
6897 55/67/70/71/73/74/77/78/80/81/82/83/85/86/87/88/89,

6896 30/31/32/33/38/39/40/41/42/43/48/49/60/61/92/93

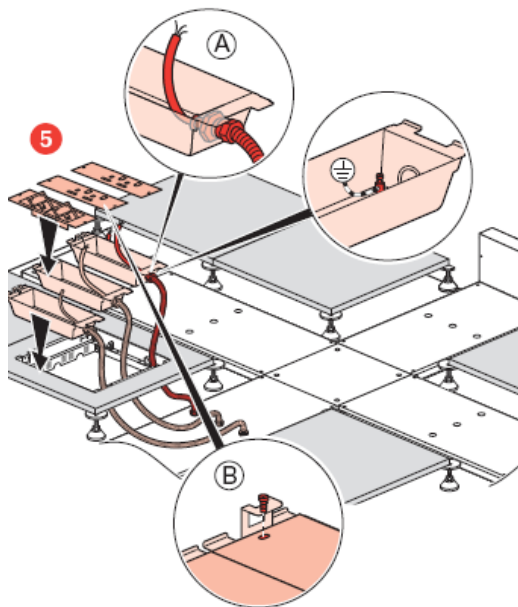
2 INSTALLATION PROCESS (continued)

3- Support frame ref 6896 39/49 (continued)

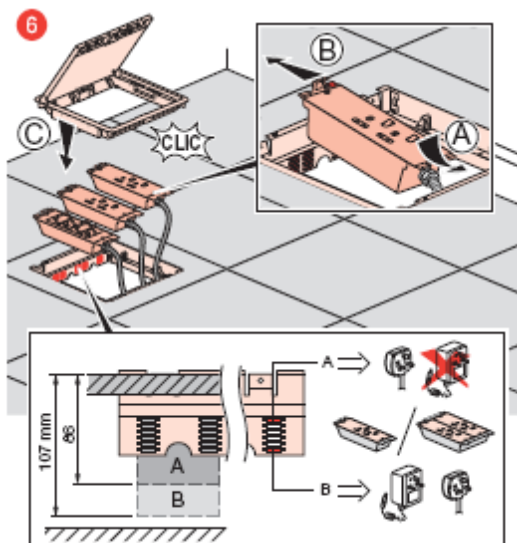
4 - On trunking, remove knockouts to fit flexible conduit ($\varnothing 21\text{mm}$)



5- Fix the wiring accessory plates and earth the system



6- For the modular backbox, clip the individual modules to desired depth



Raised Floor system

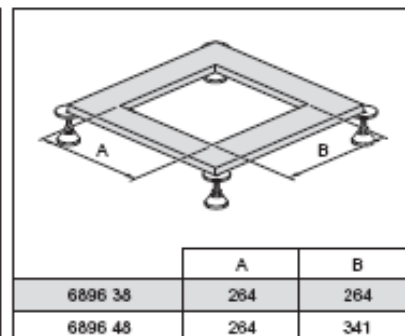
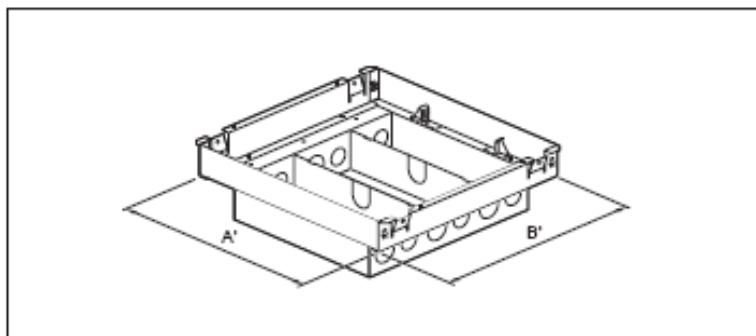
Number(s) :

6897 55/67/70/71/73/74/77/78/80/81/82/83/85/86/87/88/89,

6896 30/31/32/33/38/39/40/41/42/43/48/49/60/61/92/93

2 INSTALLATION PROCESS (continued)

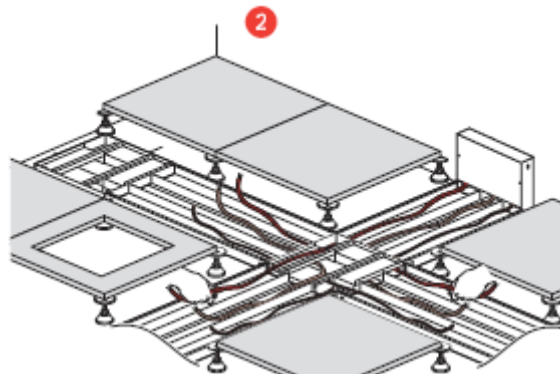
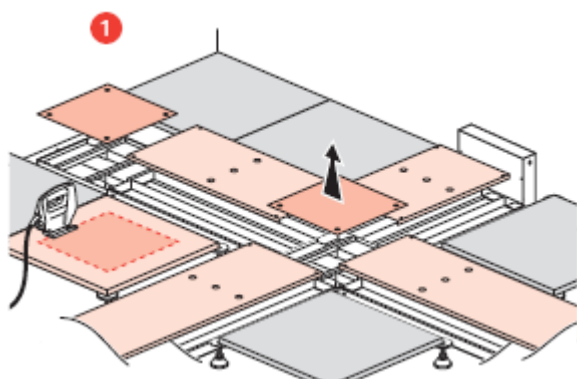
4- Full backbox (frame + support) ref 6896 38/48



Tolerance for dimensions A and B = 0 / +2mm

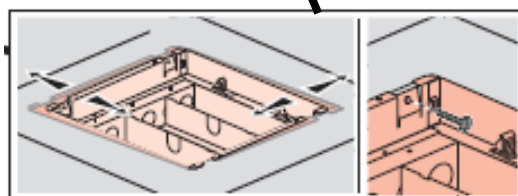
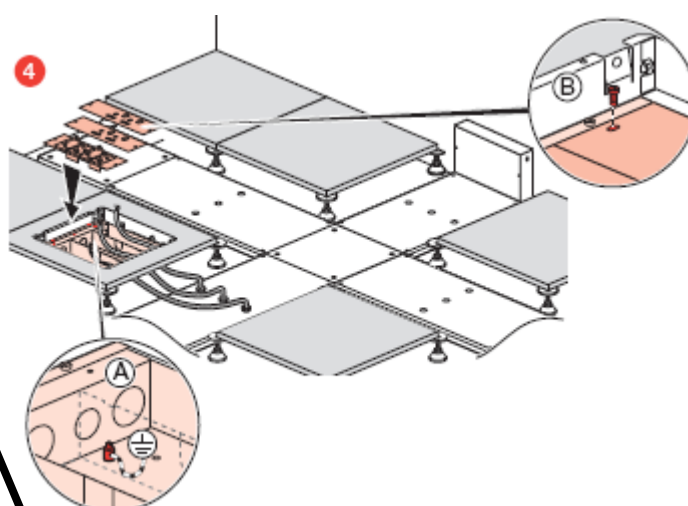
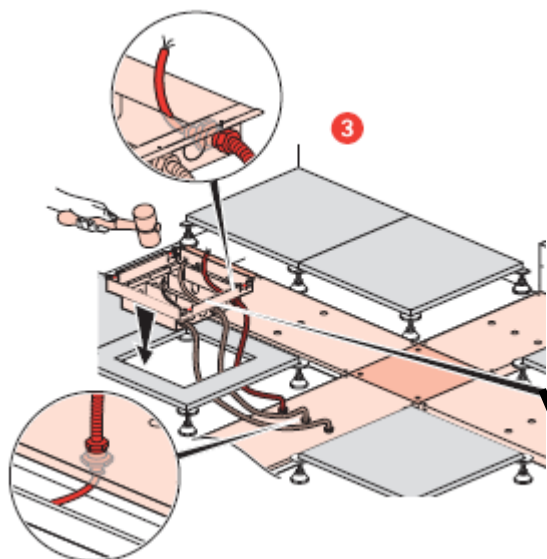
1- Remove all covers for cabling and cut raised floor tiles according to backbox size

2- cable the trunking



3- Backbox installation in the raised access floor tile is a push and fit principle, on trunking, remove knockouts to fit flexible conduit.

4 - Fix the wiring accessory plates and earth the system.



fixing by means of screw also possible

Raised Floor system





Number(s) :

6897 55/67/70/71/73/74/77/78/80/81/82/83/85/86/87/88/89,

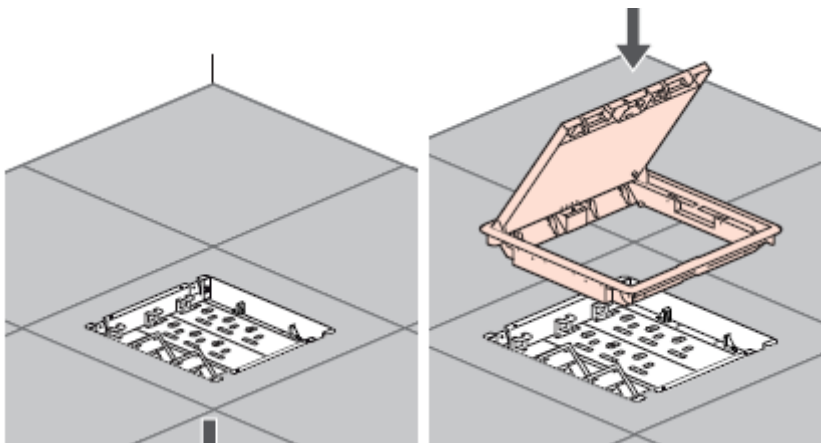
6896 30/31/32/33/38/39/40/41/42/43/48/49/60/61/92/93

2 INSTALLATION PROCESS (continued)

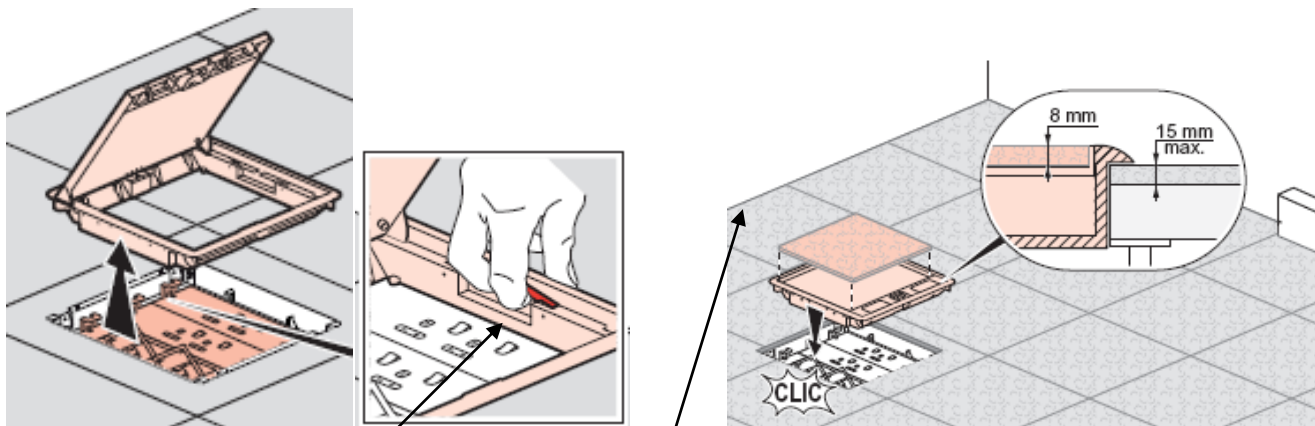
5- Lid & trim ref 6896 30/31/32/33/40/41/42/43

		Lid & Trim 	Stainless steel insert 	
				
		Rigid cable exits	Soft cable exits	
3 compt	grey	6896 30	6896 31	6896 92
	beige	6896 32	6896 33	
4 compt	grey	6896 40	6896 41	6896 93
	beige	6896 42	6896 43	

After installing wiring the accessory plates, push down the lid & trim onto the full backbox/support frame

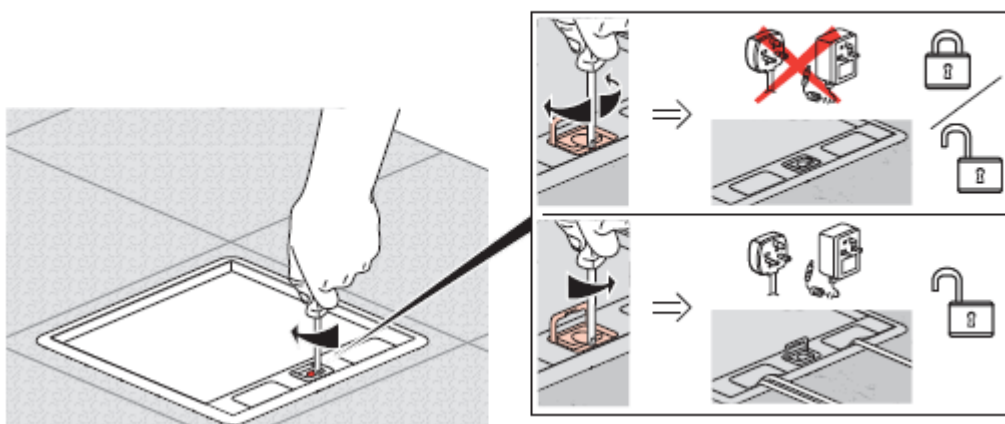


Finally, to install the finish flooring:



1 – To fit carpet, pull the levers upwards on both sides to take out the lid and trim.

2 – Fit the carpet and push down the lid and trim on the full backbox/support frame (push and fit principle)

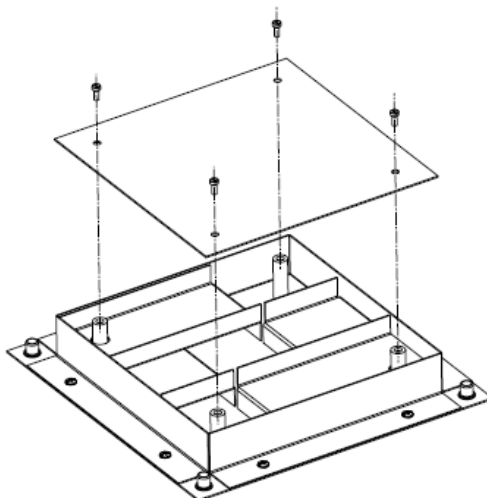


Locking system:

The floor box can be locked by means of a locking system (hidden under the opening handle); For safety reasons, floor box should not be locked when in use.

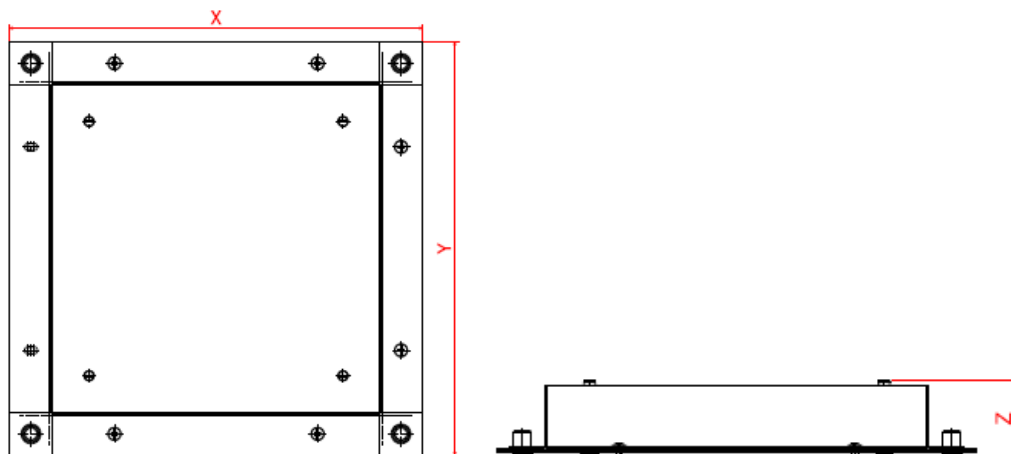
3 PRODUCT DETAILS

1- Junction Boxes ref 6897 78/80/81



Reference	To use with junction of
6897 80	2 trunkings 225x38mm
6897 81	2 trunkings 300x38mm
6897 78	1 trunking 225x38mm and 1 trunking 300x38mm

Dimensions (mm):



Reference	X	Y	Z
6897 80	285	285	39.2
6897 81	360	360	39.2
6897 78	285	360	39.2

Raised Floor system

Number(s) :

6897 55/67/70/71/73/74/77/78/80/81/82/83/85/86/87/88/89,

6896 30/31/32/33/38/39/40/41/42/43/48/49/60/61/92/93

3 PRODUCT DETAILS (continued)

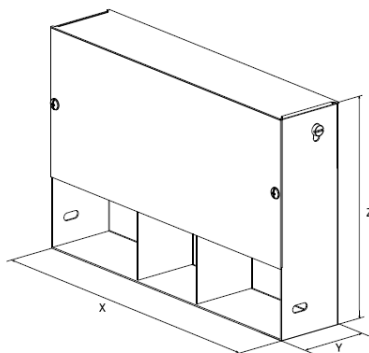
2- Riser ref 6897 82/83

The riser allows the change of direction (horizontal to vertical).
Conduit or trunking can be run vertically or horizontally from the riser

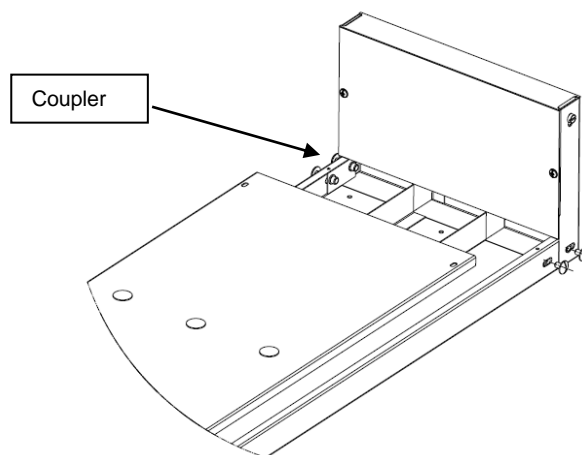
Allows the junction in interior angle (between the floor/wall) of two trunkings of the same section:

Reference	Use for trunking
6897 82	225x38mm metal
6897 83	300x38mm metal

Dimensions (mm):



Reference	X	Y	Z
6897 82	225	38	201
6897 83	300	38	201



Installation of riser:

- 1- Fit the riser against the wall
- 2- Connect the trunking to the riser with the coupler

Raised Floor system





Number(s) :

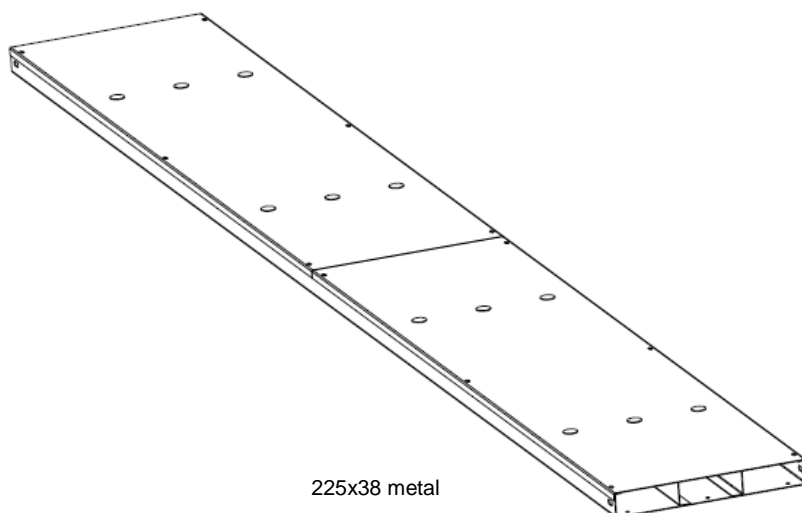
6897 55/67/70/71/73/74/77/78/80/81/82/83/85/86/87/88/89,

6896 30/31/32/33/38/39/40/41/42/43/48/49/60/61/92/93

3 PRODUCT DETAILS

3- Trunkings ref 6897 70/71

		Fixing brackets	Coupler
225 x 38 (mm) Metal	6897 70		
300 x 38 (mm) Metal	6897 71		

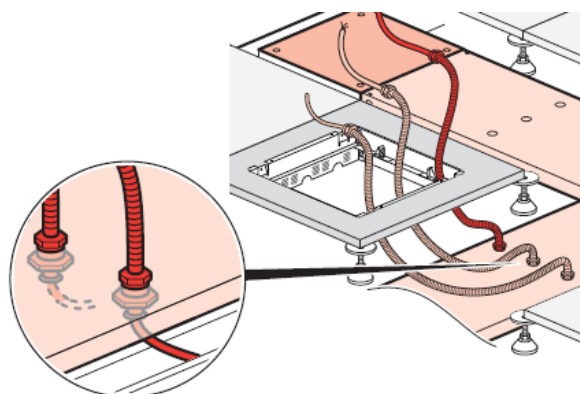
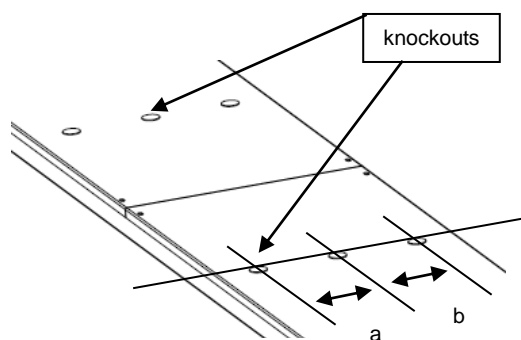


Provides EMC Screening
 Manufactured from pre-galvanised steel sheet
 Delivered in standard length 2.44m
 Standard thickness: 1mm for body/dividers/cover
 Number of compartments: 3 compartments.
 Standard depth: 38mm

Metal trunkings allows:

- distribution of power data underneath to the raised floor.

The trunking has 12 knockouts Ø 21mm (for connection of the flexible conduits) length of 2.44m



Center distance between knockouts:

Dimensions (mm)	a	b
Trunking 225x38	74	74
Trunking 300x38	100	100

Raised Floor system

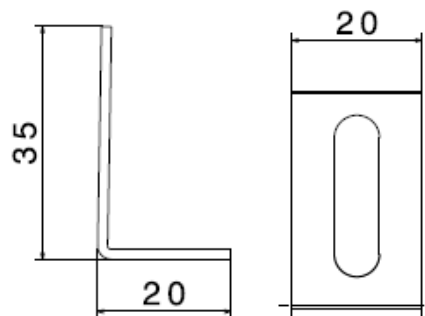
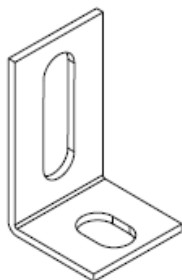
Number(s) :

6897 55/67/70/71/73/74/77/78/80/81/82/83/85/86/87/88/89,

6896 30/31/32/33/38/39/40/41/42/43/48/49/60/61/92/93

3 PRODUCT DETAILS (continued)

4- Fixing brackets ref 6897 55



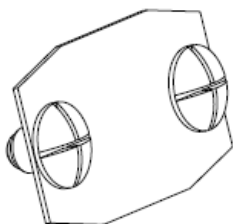
Dimensions

To fix trunking on the slab.

Reference	Use for trunking
6897 55	225/300x38mm metal

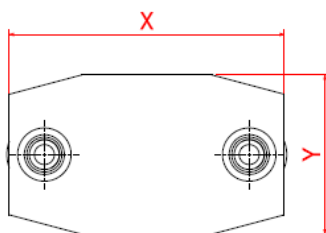
Thickness: 1.5mm

5- Coupler ref 6897 77



Used to connect two trunking lengths

Reference	Use for trunking
6897 77	225/300x38mm metal



Dimensions (mm):

Reference	X	Y
6897 77	55	32

Thickness: 1mm

Comes with 2 screws M6x10

Raised Floor system

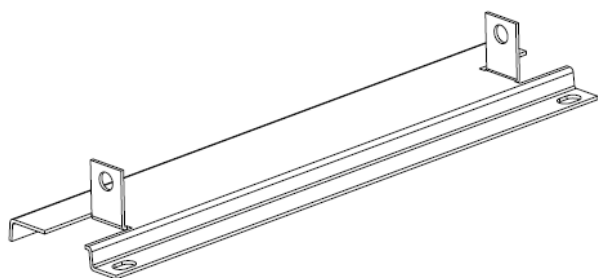
Number(s) :

6897 55/67/70/71/73/74/77/78/80/81/82/83/85/86/87/88/89,

6896 30/31/32/33/38/39/40/41/42/43/48/49/60/61/92/93

3 PRODUCT DETAILS (continued)

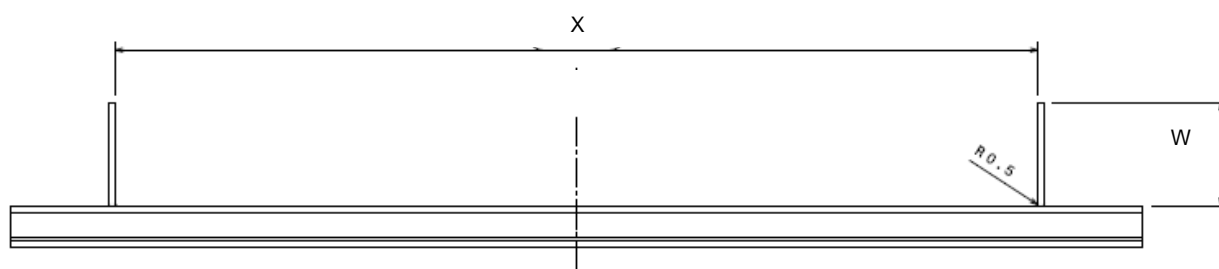
6- Leveling brackets ref 6897 87/89



- To raise trunking level up to 10mm
- To connect two trunking lengths
- To fix the levelling brackets, please used the screws M6x10 delivered with the couplers

Reference	Use for trunking
6897 87	225x38mm metal
6897 89	300x38mm metal

Dimensions (mm):

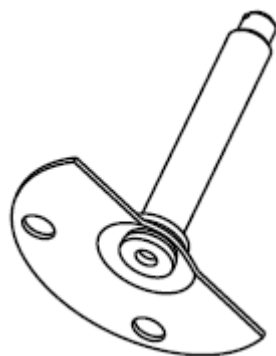


Reference	X	W
6897 87	225	25
6897 89	300	25

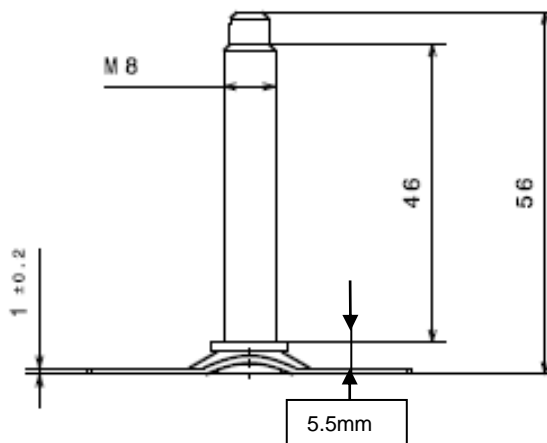
Thickness: 1.5mm

Leveling brackets ref 6897 88:

To raise junction box/backbox level up to 10mm



Delivered in set of 4



Dimensions (mm)

Raised Floor system

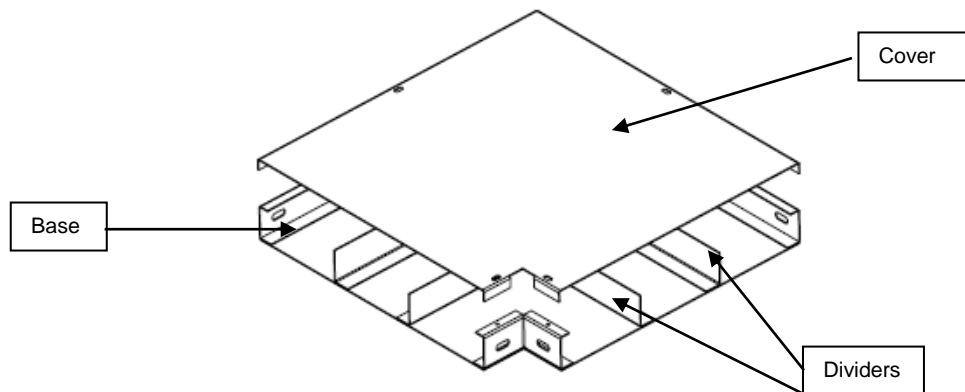
Number(s) :

6897 55/67/70/71/73/74/77/78/80/81/82/83/85/86/87/88/89,

6896 30/31/32/33/38/39/40/41/42/43/48/49/60/61/92/93

3 PRODUCT DETAILS (continued)

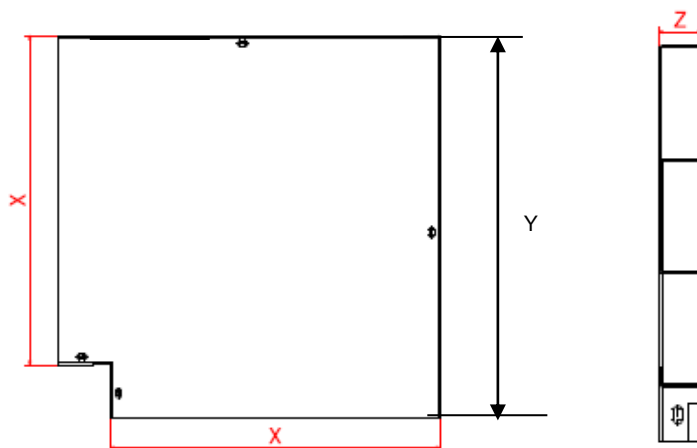
7- Flat angle ref 6897 73/74



Allows the junction in a flat angle of two equal trunking:

- fix to the trunking by means of couplers
- flat angles are 90°
- flat angles are delivered with base, cover and partitions

Reference	Use for trunking
6897 73	225x38mm metal
6897 74	300x38mm metal



Dimensions (mm):

Reference	X	Y	Z
6897 73	225	273	38
6897 74	300	348	38

Raised Floor system

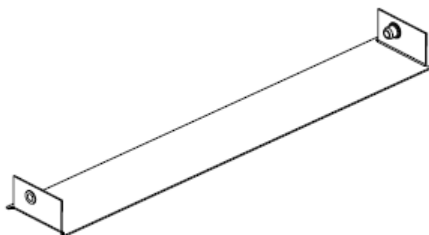
Number(s) :

6897 55/67/70/71/73/74/77/78/80/81/82/83/85/86/87/88/89,

6896 30/31/32/33/38/39/40/41/42/43/48/49/60/61/92/93

3 PRODUCT DETAILS (continued)

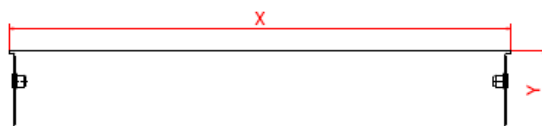
8- End cap ref 6897 85/86



- To close the end of the trunking
- fix to the trunking by means of screws

Comes with 2 screws M6x12

Reference	Use for trunking
6897 85	225x38mm metal
6897 86	300x38mm metal



Dimensions (mm):

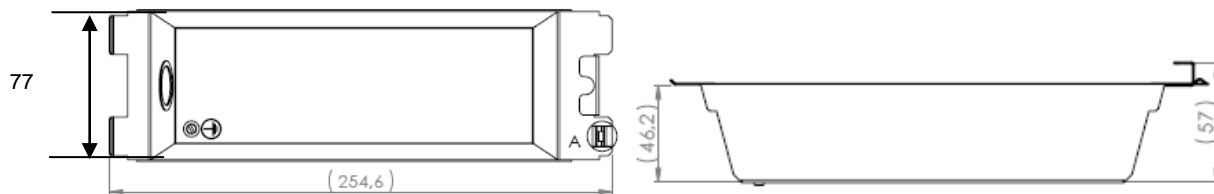
Reference	X	Y
6897 85	225	38
6897 86	300	38

9- Modules ref 6896 60/61

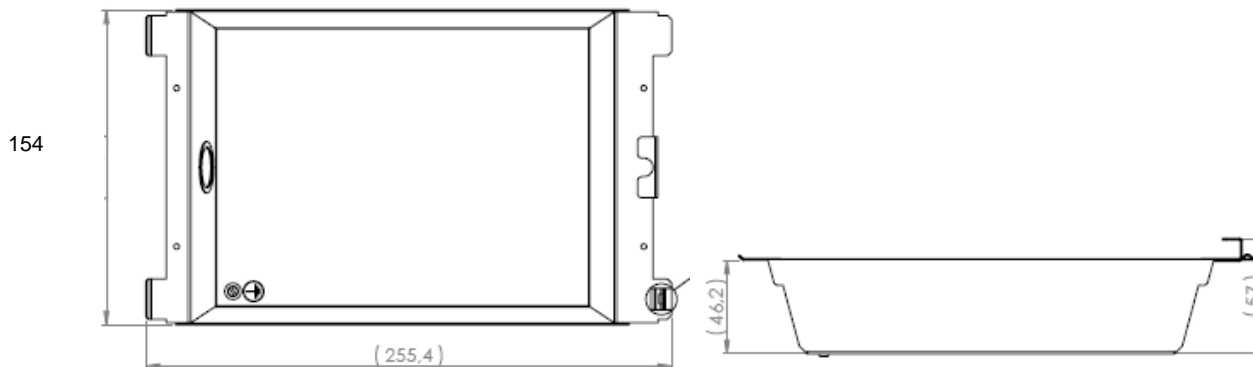
To install the wiring accessory plates on the support frame

Dimensions (mm):

Single module ref 6896 60:
Thickness 0.9mm



Double module ref 6896 61
Thickness 0.9mm



Raised Floor system

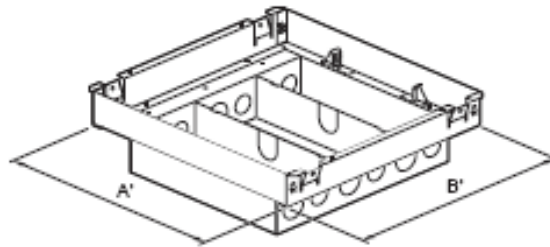
Number(s) :

6897 55/67/70/71/73/74/77/78/80/81/82/83/85/86/87/88/89,

6896 30/31/32/33/38/39/40/41/42/43/48/49/60/61/92/93

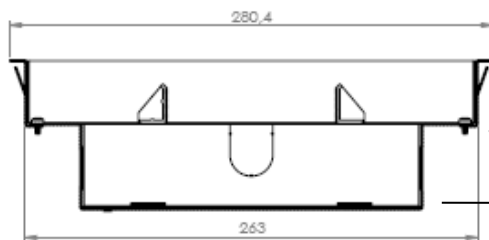
3 PRODUCT DETAILS (continued)

10- Full backbox ref 6896 38/48

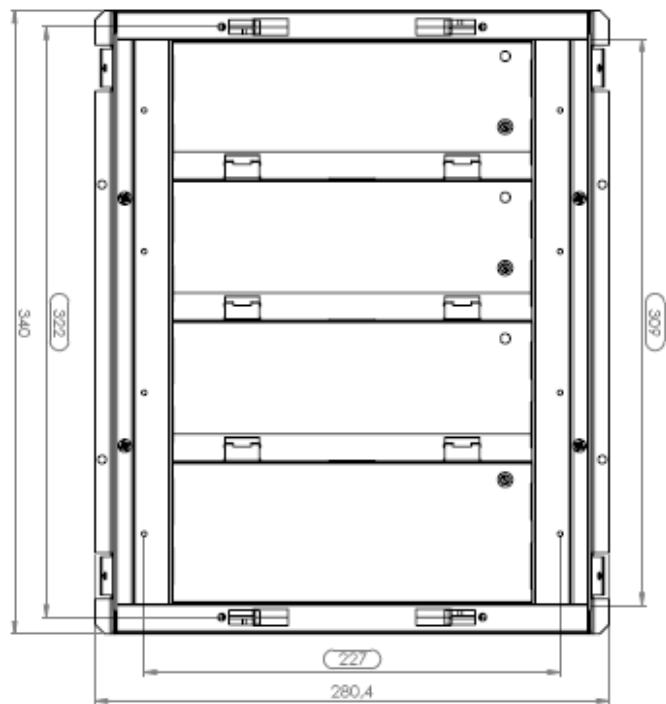
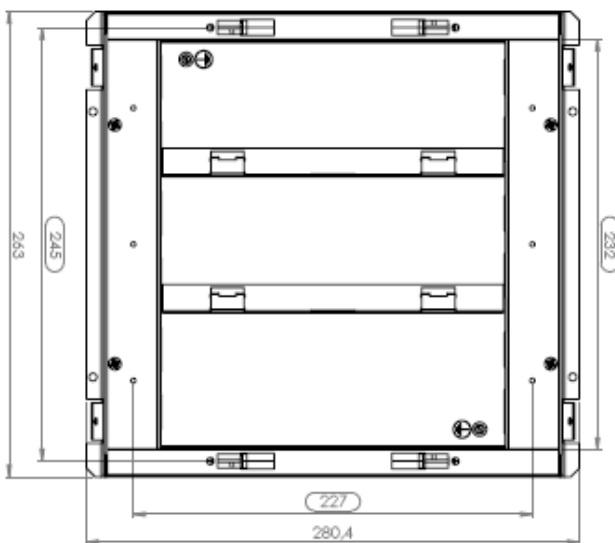
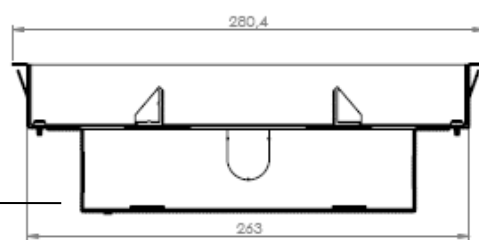


Dimensions (mm):

Full backbox square 3 modules



Full backbox Rectangular 4 modules



Raised Floor system

Number(s) :

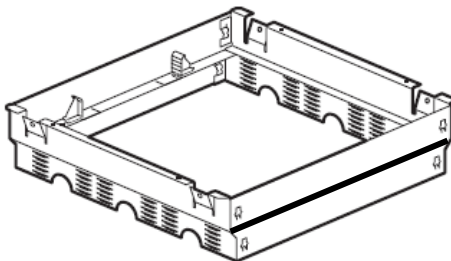
6897 55/67/70/71/73/74/77/78/80/81/82/83/85/86/87/88/89,

6896 30/31/32/33/38/39/40/41/42/43/48/49/60/61/92/93

3 PRODUCT DETAILS (continued)

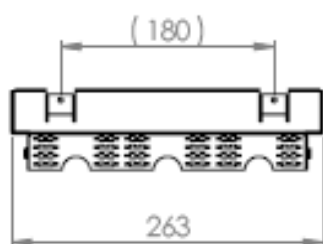
11- Modular backbox ref 6896 39/49

Allow installation of power and data plates and fitting of a lid & trim :
Adjustable height of the modules to 4 positions on the support frame.

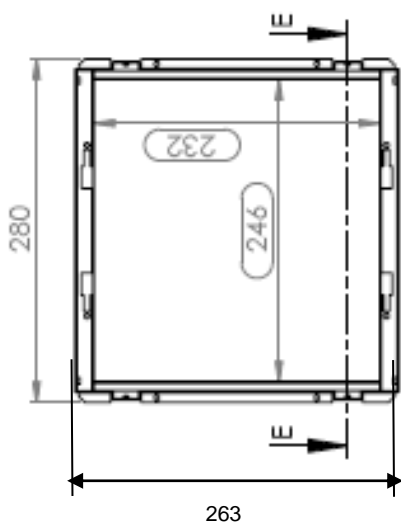
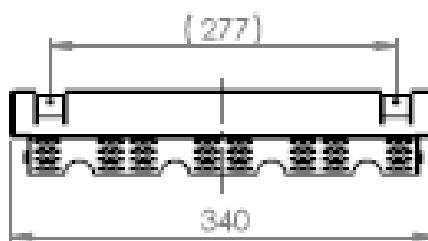


Dimensions (mm):

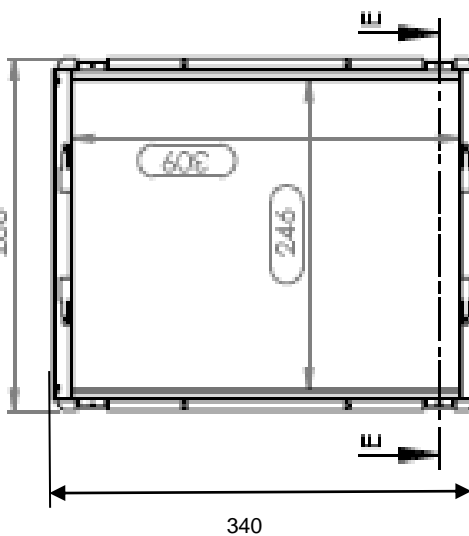
Modular backbox square, 3 modules



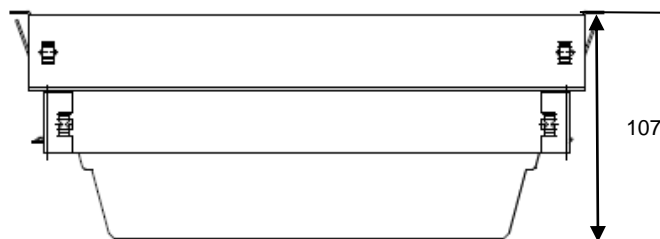
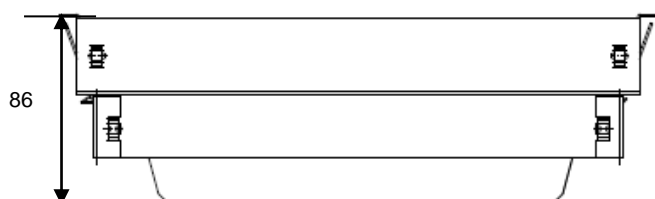
Modular backbox Rectangle, 4 modules



Module in high position



Module in low position



Note: dimensions of the different positions of the modules can be found on the page 23 (technical characteristics)

Raised Floor system

Number(s) :

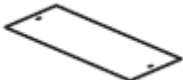
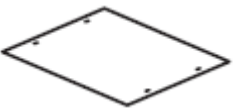
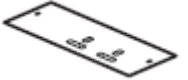


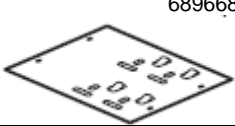
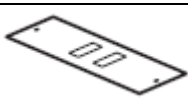
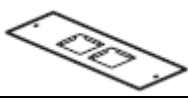

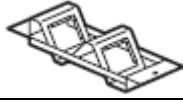
6897 55/67/70/71/73/74/77/78/80/81/82/83/85/86/87/88/89,

6896 30/31/32/33/38/39/40/41/42/43/48/49/60/61/92/93

3 PRODUCT DETAILS (continued)

12- Wiring Accessory Plates

Standard Plates compatible with all backboxes.

6896 62		Wiring Accessory Plate - 77mm - blank
6896 63		Wiring Accessory Plate - 154mm - double
6896 65		Wiring Accessory Plate - 77mm - twin unswitched socket 13 A
6896 66		Wiring Accessory Plate - 77mm - twin switched socket double pole 13 A
6896 67		Wiring Accessory Plate - 77mm - twin switched socket clean earth 13 A
689668		Wiring Accessory Plate - 154mm - 2 twin switched sockets double pole 13 A
6896 69		Wiring Accessory Plate - 77mm - twin switched socket staggered double pole
6896 70		Wiring Accessory Plate - 77mm - 2x6C knockouts
6896 71		Wiring Accessory Plate - 77mm - 4x6C knockouts
6896 72		Wiring Accessory Plate - 77mm - 2x1mod Artéor
6896 73		Wiring Accessory Plate - 77mm - 2x2mod Artéor
6896 74		Wiring Accessory Plate - 77mm - 3x2mod Artéor
6896 75		Wiring Accessory Plate - 77mm - 2x6C knockouts wave
6896 76		Wiring Accessory Plate - 77mm - 4x6C knockouts wave
6896 77		Wiring Accessory Plate - 77mm - 2x3mod Artéor
6896 78		Wiring Accessory Plate - 77mm - 2x2mod Artéor wave

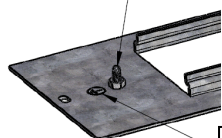
Dimensions for wiring accessory plates: single plate 237x77mm, double plate 237x154mm

Single and double Plates are supplied with epoxy power coating Silver Grey colour

Wiring accessory plates are delivered with 2 screws M3x8

Designed to be compatible with Cat 6 structured cabling systems.

Earth the wiring accessory plates by using the screw on bottom side



Earth marking

Technical information sockets :

- Mechanism Synergy
- 250V
- Terminal screws
- Compact mechanism for easy fitting
- British standard 1363-2

Note: Staggered Wiring Accessory Plate to avoid interference of plug cords.

Raised Floor system



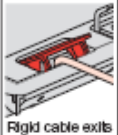

Number(s) :

6897 55/67/70/71/73/74/77/78/80/81/82/83/85/86/87/88/89,

6896 30/31/32/33/38/39/40/41/42/43/48/49/60/61/92/93

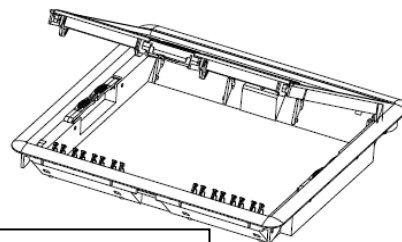
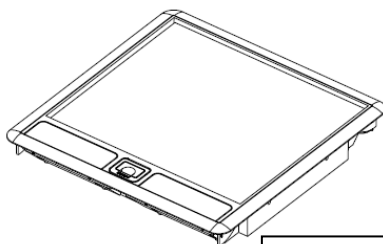
3 PRODUCT DETAILS (continued)

13- Lid & trim Floor box ref 6896 30/31/32/33/40/41/42/43

	Lid & Trim		Stainless steel insert
			
			
	Rigid cable exits	Soft cable exits	
3 compl	gray 6896 30	6896 31	6896 92
	beige 6896 32	6896 33	
4 compl	gray 6896 40	6896 41	6896 93
	beige 6896 42	6896 43	

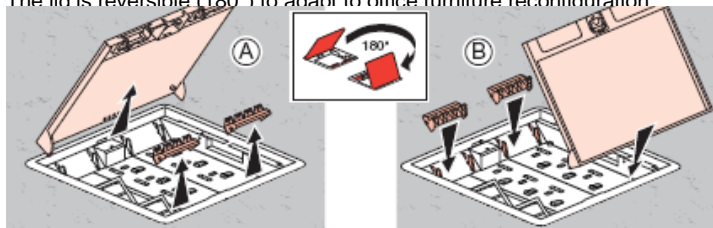
2 colours are available for lid & trim:

- Grey RAL 7031 (for ref 6896 30/31/40/41)
- Beige RAL 1019 (for ref 6896 32/33/42/43)

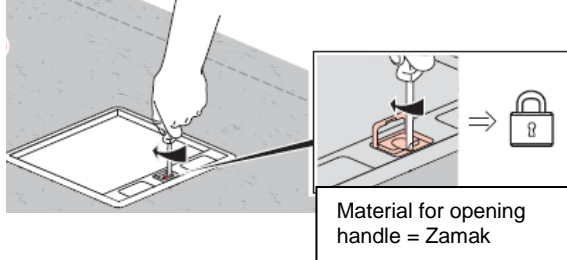


3 compartments & 4 compartments

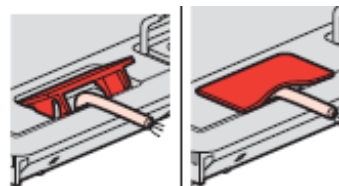
The lid is reversible (180°) to adapt to office furniture reconfiguration



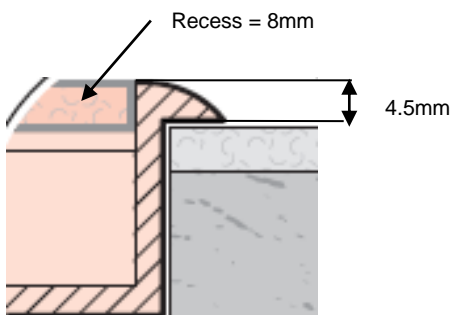
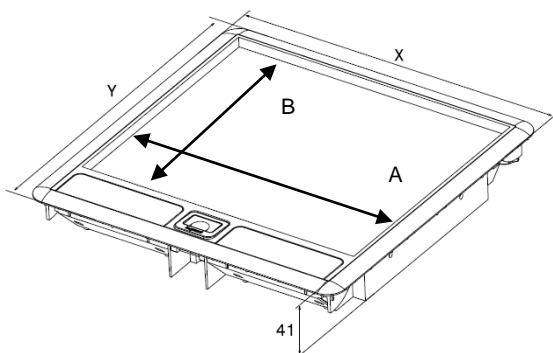
The lid & trim can be locked (floor box should not be locked when in use)



Material for opening handle = Zamak



Rigid and flexible cable exits: Maximum cable capacity 4 cables Ø 7mm + 3 cables Ø 11mm



Dimensions (mm):

Reference	X	Y	A	B
6896 30/31/32/33	280	280	245.5	210
6896 40/41/42/43	357	280	322	210

Raised Floor system



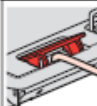

Number(s) :

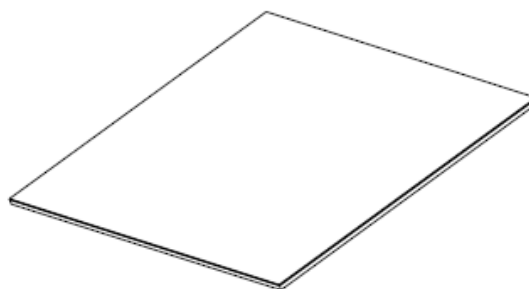
6897 55/67/70/71/73/74/77/78/80/81/82/83/85/86/87/88/89,

6896 30/31/32/33/38/39/40/41/42/43/48/49/60/61/92/93

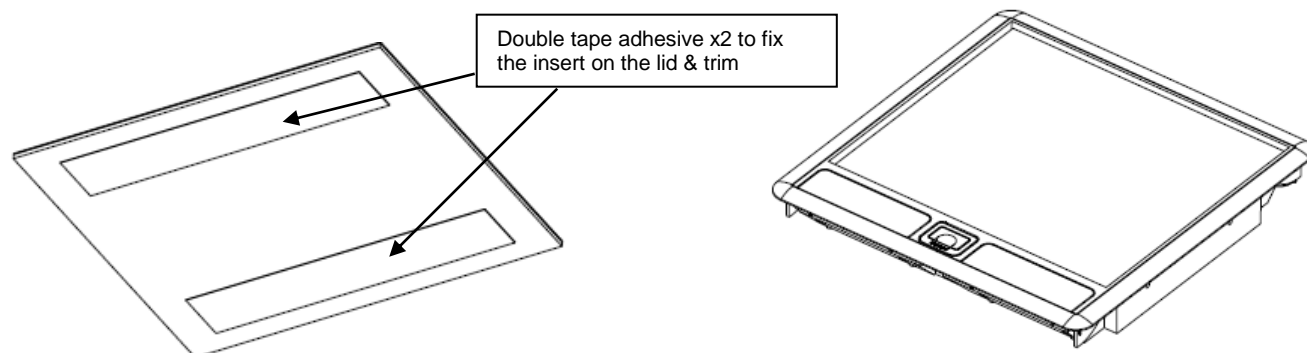
3 PRODUCT DETAILS (continued)

14- Stainless steel insert ref 6896 92/93

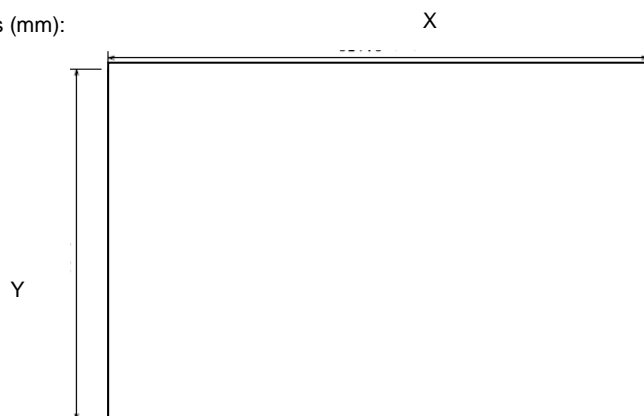
	Lid & Trim			Stainless steel insert
				
				
	Rigid cable exits	Soft cable exits		
3 compt	grey	6896 30	6896 31	6896 92
	beige	6896 32	6896 33	
4 compt	grey	6896 40	6896 41	6896 93
	beige	6896 42	6896 43	



The stainless steel insert allows a perfect finishing of the lid & trim cover.



Dimensions (mm):



Thickness: 7mm

Reference	X	Y
Lid & trim 3 compt	245.5	210
Lid & trim 4 compt	322	210

Cleaning:

The exterior should only be cleaned using a cleaner degreaser.

Raised Floor system

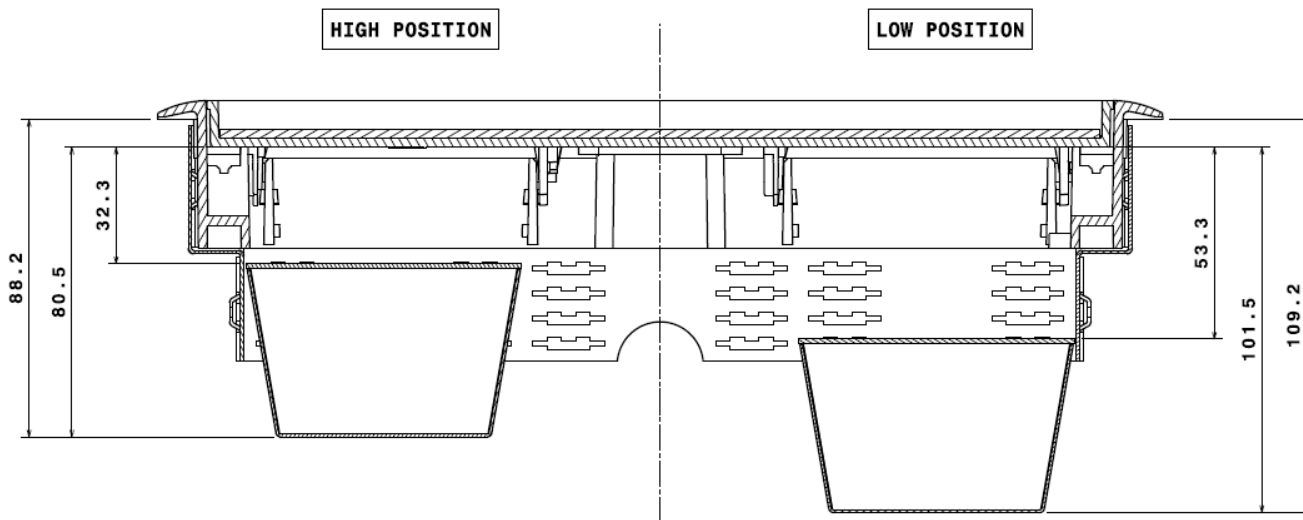
Number(s) :

6897 55/67/70/71/73/74/77/78/80/81/82/83/85/86/87/88/89,

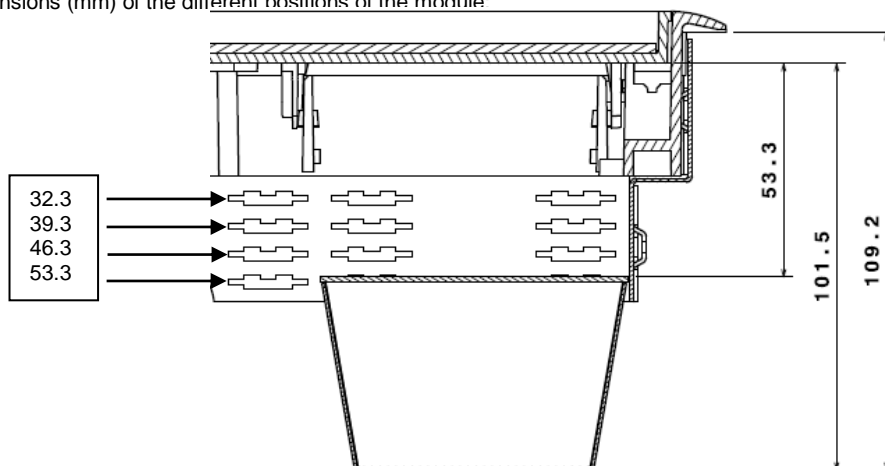
6896 30/31/32/33/38/39/40/41/42/43/48/49/60/61/92/93

4. TECHNICAL CHARACTERISTICS

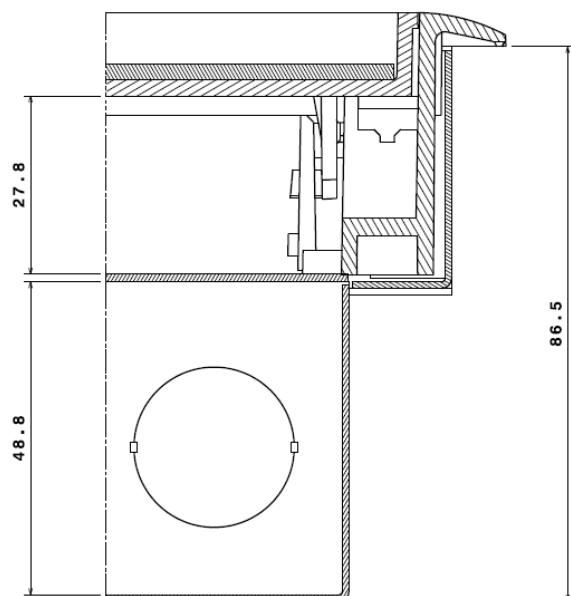
Assembly raised floor:



Dimensions (mm) of the different positions of the module:



Assembly full backbox and lid and trim:



Raised Floor system

Number(s) :

6897 55/67/70/71/73/74/77/78/80/81/82/83/85/86/87/88/89,

6896 30/31/32/33/38/39/40/41/42/43/48/49/60/61/92/93

4. TECHNICAL CHARACTERISTICS

Classification for Raised floor (standard EN 50085-2-2)

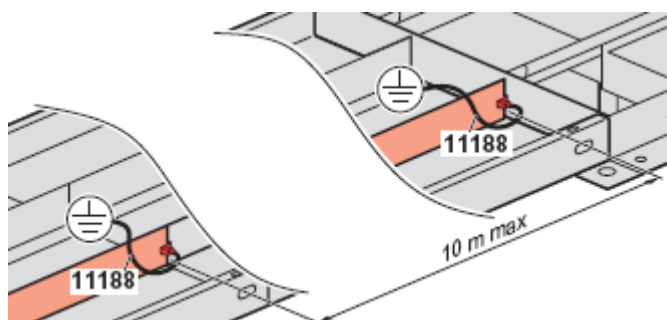
6.2 Resistance to impact for installation and application	2.0J
6.3 Minimum storage and transport temperature	- 25°C
6.3 Minimum installation and application temperature	- 5°C
6.3 Maximum application temperature	+ 60°C
6.4 Resistance to flame propagation	Non-flame propagating
6.5 Electrical continuity characteristic	With electrical continuity characteristic (Metal ducting & accessories)
6.6 Electrical insulating characteristic	Without electrical insulating characteristic (Metal ducting & accessories)
6.7 Degrees of protection provided by enclosure	IP 20
6.9 The system access cover retention	With a tool
6.101 Floor treatment	for dry-treatment of floor
6.102 Resistance to vertical load applied through small surface area	1500 N*
6.103 Optional classification: resistance to vertical load applied through large surface area	3 000 N
Rated voltage (PVC ducting)	500V
Protection against mechanical impact	IK08
Linear impedance in mΩ/m of trunking length	5 mΩ/m

*for 4 compartment, resistance to vertical load applied over a small surface area = 750N

Composition and functions for Raised floor system:

	Fixing brackets	Coupler	End cap	Leveling	Riser	Junction box	Flat angle	Full Backbox	Backbox - multibaskets			Lid & Trim	Stainless steel insert	
								3 compt	4 compt	3 compt	4 compt	Rigid cable exits	Soft cable exits	
225 x 38 (mm) Metal	6897 70			6897 85	6897 87		6897 82	6897 80 or 6897 78	6897 73					
300 x 38 (mm) Metal	6897 71	6897 55 6897 77		6897 86	6897 89		6897 83	6897 81	6897 74	6896 38 6896 48	6896 39 6896 49	6896 60	6896 61	6896 92 6896 93

Important: Every 10meters maximum, earth the system (with ref 11188)



Metal trunking and Accessories:		
CAT N°	Designation	to earth the system
689770	Trunking	Yes
689771	Trunking	Yes
689638	Full Backbox 3 compt	Yes
689648	Full Backbox 4 compt	Yes
689660	Single Basket	Yes
689661	Double Basket	Yes

Note: earth the wiring accessory plates (by using the screw on bottom side) page 20