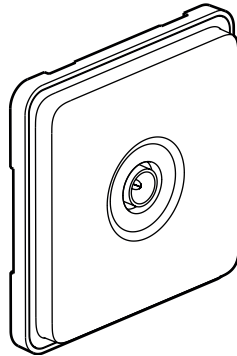


Soliroc™ - IK 10 vandalproof TV socket

Cat. No(s): 0 778 82



1. USE

Soliroc male TV socket for individual or collective installation with reception:

- via aerial
- via cable TV network
- via collective head station in AMVSB (amplitude modulation).

The new Soliroc™ IK10 programme guarantees robust impact resistance in environments that are hazardous or unsupervised, whether indoors or outdoors (warehouses, public buildings, motorway services, offices shops, schools, confinement institutions, prisons, etc.).

The 5 commitments of the SOLIROC range

Security: The IK10 rating (20 joule impact force) guarantees optimal impact resistance and protection against vandalism. It is impossible to tear off a SOLIROC product due to the use of four zamak sealing plugs pressed on the plate (removable only by drilling).

Reliability: The IP55 rating guarantees a long useful lifetime, whether indoors or outdoors. All external parts are made of zamak for optimal robustness.

Practicality: The plate is thin, thereby limiting the amount of possible grip and reducing the risk of it being torn off. Minimal space exists between parts, guaranteed by the IP5X rating (impenetrable by solid bodies greater than 1 mm in diameter and protected against dust).

Installation: Depends on the nature of the building. We recommend using 50 mm-deep multi-material or concrete BATIBOX mounting boxes (40 mm accepted). To guarantee the best tear-off resistance:

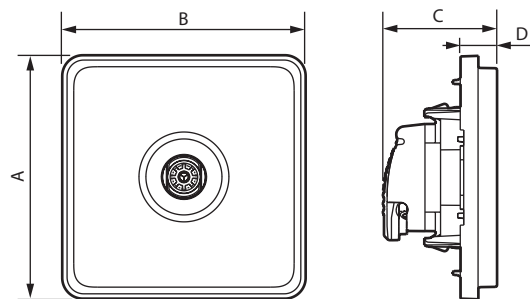
- Attach the SOLIROC plates using 4 standard screws (4 mm diameter, 40 mm length).
- Select wall plugs according to the nature of the walls. For concrete walls, we recommend expanding nylon wall plugs (6 mm diameter, useful length 40 mm).

Quality control: factory inspection according to ISO 9001/9002 procedures.

2. RANGE

	Cat. No
Male TV socket - 0-2400 MHz 2 modules	0 778 82

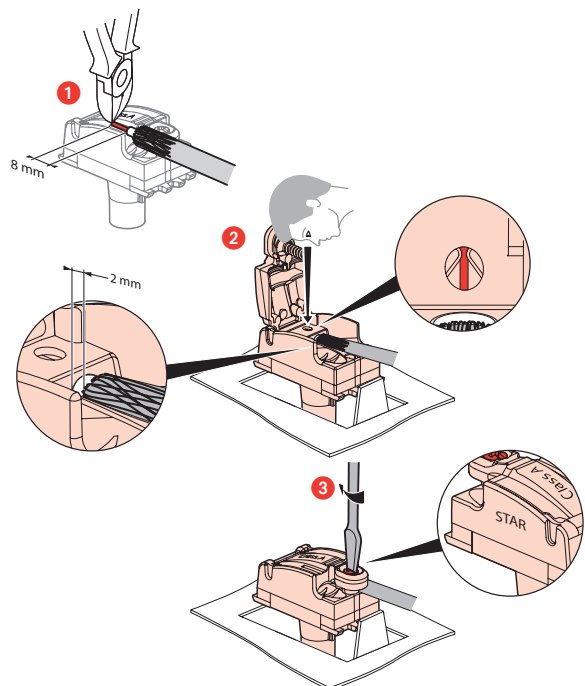
3. DIMENSIONS (mm)



A	B	C	D
70.5	70.5	33	10.6

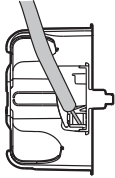
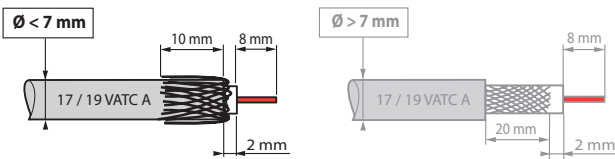
4. CONNECTION

4.1 Connection



4. CONNECTION (continued)

4.2 Wiring precautions



By restricting deformation of the coaxial cable, the rear connection avoids impedance discontinuity, thereby sustaining performance.

Cable resistance 120 N: standard IEC 61169-24

5. TECHNICAL CHARACTERISTICS

5.1 Mechanical characteristics

Protection against solid bodies and liquids: IP 20
Protection against impacts: IK 10

5.2 Material characteristics

Surface treatment: copper plating + acid copper plating + matt nickel plating + approximately 0.1 mm thick chrome plating.
Colour: matt chrome grey
SEBS sealing membrane

Motor: Box: Zamac
Cover: Zamac
Pin: Bronze
Screws: Steel

Self extinguishing:

- 850° C / 30 s for insulating parts holding live parts in place
- 650° C / 30 s for other parts made of insulating materials

5.3 Electrical characteristics

- Class A shielding efficiency (class A shielding is necessary to prevent interference caused by using new 3 and 4 G phone signals, as these unwanted signals can result in pixellation on screen or adversely affect the sound track).
- Male connector \varnothing 9.52 mm
- Frequency bands: TV/SAT: 0 - 2400 MHz
- Characteristic impedance: 75 Ω
- Compatible with remote power supply
- Attenuation: 1 dB maximum

5.4 Climatic characteristics

Storage temperature: - 10° C to + 70° C
Use temperature: - 5° C to + 40° C

6. CLEANING

Clean the surface with a cloth.
Do not use acetone, tar-removing cleaning agents or trichloroethylene.

Caution: An initial test is required for the use of other special maintenance products.

7. ACCESSORIES

- Foams seals: 0 778 85 (1-gang)
0 778 86 (2-gang)
0 778 87 (3-gang)
Sealing plug: 0 778 96
Surface-mounting frame: 0 778 90 (1-gang)
0 778 92 (2-gang)
Cable gland: 0 968 03 (+ nut 0 968 43)
0 955 03 (+ nut 3 866 32)

8. STANDARDS AND APPROVALS

Compliance with standards of installation and manufacturing.
See e. catalogue.

9. PERFORMANCES

