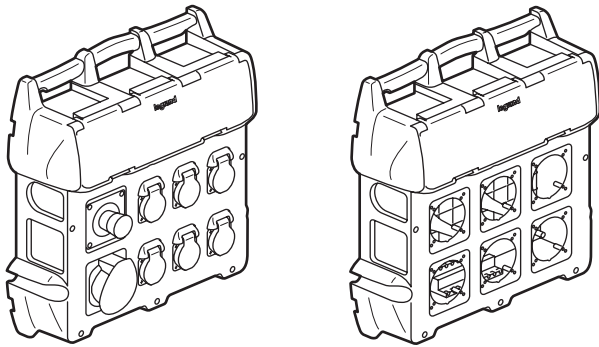


P17 worksite units Floor units and standard versions

Catalogue number(s): 0 589 50/51/52/53/54/57/70/71/72/73/74



CONTENTS	Page
1. General features	1
2. Range	2
3. Compliance	3
4. Technical features	3
5. Connection	3
6. Dimensions	3
7. Accessories	3
8. Wiring diagrams	5

1. GENERAL FEATURES

Site floor units are used to provide a temporary power supply for electrical equipment for all trades in the building industry, in particular those involved in light work.

The protection of circuits and property and also the safety of people are provided by:

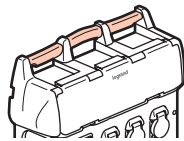
- A 30 mA RCD
- Secondary circuit breakers rated according to the number and current of the power sockets
- An emergency break with shunt trip
- A modular voltage present indicator

■ 1.1 Main features

- Materials: ABS for the housing, polycarbonate for the window
- IK: 09
- IP: IP 44 (units equipped with sockets and cable)
 IP 21 (service side)
- Colours: RAL 7016 and RAL 7042
- Connector blocks: 8-hole for protective conductor and 4-hole for phases/neutral connection and tap-off
- Additional connector blocks can be added: 6 x 4-hole blocks or 2 x 8-hole blocks
- 4 x M32/PG29 max. pre-marked cable entries (to be drilled out):
 2 entries on the bottom and 1 on each side
- Closed using 8 stainless steel screws

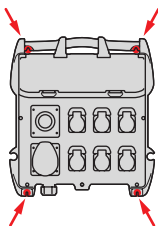
■ 1.2 Detailed functions

- Handle integral with the housing



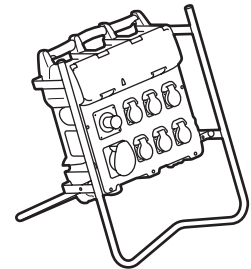
- Window.
 - Transparent for immediate viewing of the protection devices and the voltage present indicator
 - Easy to replace by removing the faceplate (spare part available on request)

- Can be locked using padlock Cat. No. 4 063 13, for increased safety: limited access to protection devices

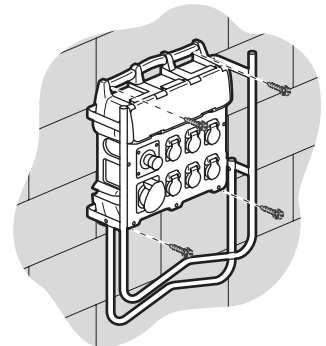


- External fixing on vertical walls:
 at top and bottom, using appropriate screws and washers, directly on the wall

- Fixing on frame for greater mobility. Mounted on the frame without having to open the unit

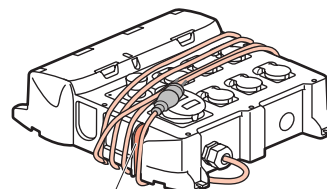


- The whole assembly can be attached (frame + unit) without having to remove the frame

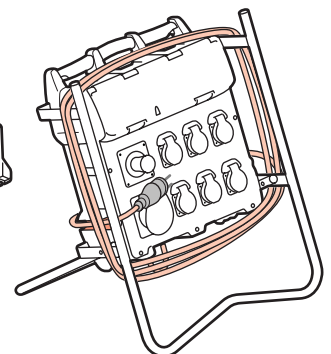


- Winding the cable:

- Around the unit, securing the cable for ease of storage and transport

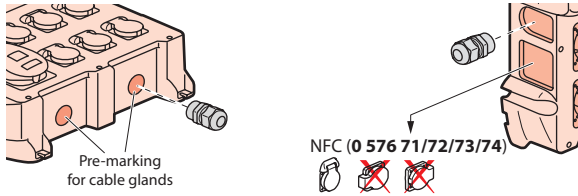


- Around the frame



1. GENERAL FEATURES (continued)

- Adaptability of the unit:
 - Pre-marking on each side of the unit for adding:
 - A cable gland (M32/PG29 max.)
 - A domestic pin socket outlet, Cat. No. 0 576 67/71/72/73/74



2. RANGE

Cat. No. 0 589 50

Electrical features: 16 A • 400 V \sim • 3P+N • 50/60 Hz • 11 kVA

Composition:

- 1 x 30 mA • 40 A 4-pole RCCB (Cat. No. 4 116 61)
- 3 x 16 A 2-pole circuit breakers (Cat. No. 4 077 84)
- 6 domestic pin sockets (Cat. No. 0 576 67)
- 1 blanking plate
- Stay-put mushroom head (Cat. No. 0 238 74)

Cat. No. 0 589 51

Electrical features: 32 A • 400 V \sim • 3P+N • 50/60 Hz • 22 kVA

Composition:

- 1 x 30 mA • 40 A 4-pole RCCB (Cat. No. 4 116 61)
- 3 x 16 A 2-pole circuit breakers (Cat. No. 4 077 84)
- 1 x 16 A 4-pole circuit breaker (Cat. No. 4 078 98)
- 6 domestic pin sockets (Cat. No. 0 576 23)
- 1 x 16 A • 3P+N+E • 380/415 VA socket (Cat. No. 0 576 23)
- Stay-put mushroom head (Cat. No. 0 238 74)

Cat. No. 0 589 52

Electrical features: 40 A • 400 V \sim • 3P+N • 50/60 Hz • 27 kVA

Composition:

- 1 x 30 mA • 63 A 4-pole RCCB (Cat. No. socket (Cat. No. 4 116 62)
- 3 x 16 A 2-pole circuit breakers (Cat. No. 4 077 84)
- 1 x 32 A 4-pole circuit breaker (Cat. No. 4 079 01)
- 6 x 16 A domestic pin sockets (Cat. No. 0 576 67)
- 1 x 32 A • 3P+N+E • 380/415 VA socket (Cat. No. 0 576 24)
- Stay-put mushroom head (Cat. No. 0 238 74)

Cat. No. 0 589 53

Electrical features: 40 A • 400 V \sim • 3P+N • 50/60 Hz • 27 kVA

Composition:

- 1 x 30 mA • 63 A 4-pole RCCB (Cat. No. 4 116 62)
- 2 x 16 A 2-pole circuit breakers (Cat. No. 4 077 84)
- 1 x 32 A 3-pole circuit breaker (Cat. No. 4 078 32)
- 4 domestic pin sockets (Cat. No. 0 576 71)
- 1 x 32 A • 3P+E • 380/415 VA socket (Cat. No. 0 576 18)
- Stay-put mushroom head (Cat. No. 0 238 74)

Cat. No. 0 589 54

Electrical features: 40 A • 400 V \sim • 3P+N • 50/60 Hz • 27 kVA

Composition:

- 1 x 30 mA • 63 A 4-pole RCCB (Cat. No. 4 116 62)
- 2 x 16 A 2-pole circuit breakers (Cat. No. 4 077 84)
- 1 x 32 A 4-pole circuit breaker (Cat. No. 4 079 01)
- 4 domestic pin sockets (Cat. No. 0 576 71)
- 1 x 32 A • 3P+N+E • 380/415 VA socket (Cat. No. 0 576 24)
- Stay-put mushroom head (Cat. No. 0 238 74)

2. RANGE (continued)

Cat. No. 0 589 57

IP44 max. 40 A unit:

- Up to 20 Lexic modules
- Equipped with a faceplate with 6 positions which can take:
 - A plate with stay-put mushroom head (Cat. No. 0 577 40/45)
 - Domestic pin sockets (Cat. No. 0 576 71)
 - 16 A-32 A IEC sockets with 70 x 70 standard fixing centres
 - Adaptors (Cat. No. 539 48) capable of taking Mosaic modules (except special surface mounting type)
- 9 modular blanking plates
- 8-hole connector block for connecting the protective conductor

Cat. No. 0 589 70

Electrical features: 16 A • 230 V \sim • 2P+E • 50/60 Hz • 3,7 kVA,

Composition :

- RCBO - DX³ 6000 -10 kA -2P-230 V \sim -16 A -30 mA -AC type (Cat. No. 4 111 58),
- Panel mounting socket P17 - inclined outlet - IP44 - 200/250 V \sim - 16 A - 2P+E (Cat. No. 5 551 84),
- Panel mounting adaptor P17 - accept Mosaic 2 modules mechanisms (Cat. No. 6 870 16 + 0 539 48).

Cat. No. 0 589 71

Electrical features: 16 A • 230 V \sim • 2P+T • 50/60 Hz • 3,7 kVA,

Composition :

- RCBO - DX³ 6000 -10 kA -2P-230 V \sim -16 A -30 mA -AC type (Cat. No. 4 111 58),
- Panel mounting socket P17 - IP66/67 - 200/250 V \sim - 16 A - 2P+E (Cat. No. 5 553 84).

Cat. No. 0 589 72

Electrical features: 16 A • 400 V \sim • 3P+N+T • 50/60 Hz • 11 kVA,

Composition :

- RCBO - DX³ 6000 -10 kA -4P-400 V \sim -16 A -30 mA -AC type (réf. 4 111 86),
- Panel mounting socket P17 - inclined outlet - IP44 - 200/250 V \sim - 16 A - 2P+E (Cat. No. 5 551 84),
- Panel mounting socket P17 - inclined outlet - IP44 - 380/415 V \sim - 16 A - 3P+E (Cat. No. 5 551 88),
- Panel mounting adaptor P17 - accept Mosaic 2 module mechanisms (Cat. No. 6 870 16 + 0 539 48).

Cat. No. 0 589 73

Electrical features: 16 A • 400 V \sim • 3P+N+T • 50/60 Hz • 11 kVA,

Composition :

- RCBO - DX³ 6000 -10 kA -4P-400 V \sim -16 A -30 mA -AC type (réf. 4 111 86),
- Panel mounting socket P17 - inclined outlet - 200/250 V \sim - 16 A - 2P+E (Cat. No. 5 551 84),
- Panel mounting adaptor P17 - accept Mosaic 2 modules mechanisms (Cat. No. 6 870 16 + 0 539 48),
- Panel mounting socket P17 - inclined outlet - IP44 - 380/415 V \sim - 16 A - 3P+E (Cat. No. 5 551 88).

Cat. No. 0 589 74

Electrical features: 16 A • 400 V \sim • 3P+N+T • 50/60 Hz • 11 kVA,

Composition :

- RCBO - DX³ 6000 -10 kA -4P-400 V \sim -16 A -30 mA -AC type (réf. 4 111 86),
- Panel mounting socket P17 - IP66/67 - 200/250 V \sim - 16 A - 2P+E (Cat. No. 5 553 84),
- Panel mounting socket P17 - IP66/67 - 380/415 V \sim - 16 A - 3P+E (Cat. No. 5 553 88).

3. COMPLIANCE

- Conform to standard IEC 61439-4: low voltage switchgear and controlgear assemblies. Part 4: Particular requirements for assemblies for construction sites
- Conform to the decree of 14 November 1988 on the protection of workers
- Conform to the recommendations of the OPPBTP (French professional organisation for accident prevention in building and civil engineering)
- These devices can be installed in installations that comply with the following standards:
 - NF C 15-100 part 7-704: site installations
 - NF C 15-100 part 7-711: temporary installations or IEC 60364
 - IEC / NF EN 62 262 : IK
 - IEC / NF EN 60 529 : IP

4. TECHNICAL FEATURES

■ 4.1 Glow wire resistance

650°C: 30 s for the housing
 850°C: 30 s live parts support

■ 4.2 Usage temperatures

- 25 ° to + 40 °C

■ 4.3 UV resistance

168 h - 550 W / m²

■ 4.4 Short-circuit resistance

I_{cc} = 10 kA

5. CONNECTION

■ 5.1 Main power supply to the unit

The units must be equipped with the following:

- 16 A unit: 5G2.5 cable min.
- 32 A unit: 5G6 cable min.
- 40 A unit: 5G10 cable min.

■ 5.2 Connection of the sockets

Cross-section of the cables inside the unit according to the current used:

- 16 A socket: 2.5 mm²
- 32 A socket: 6 mm²

■ 5.3 Types of protection and number of modules

P17 equipped or self-assembly units can incorporate various types of modular protection devices:

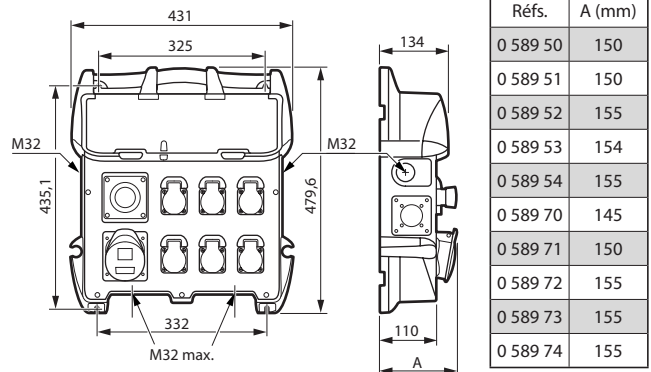
- Lexic MCB
- Lexic RCBO
- Lexic RCCB

NB : It is important to check, according to the required use, that protection against indirect contact (RCDs) and against overloads and shorts-circuits (Lexic circuit breakers) are both provided.

Caution: An RCCB does not provide protection against overloads and shorts-circuits.

Short-circuit resistance: for the short-circuit resistance of the MCBs, RCBOs and RCCBs, refer to the performance pages for these products in the current Legrand catalogue.

6. DIMENSIONS



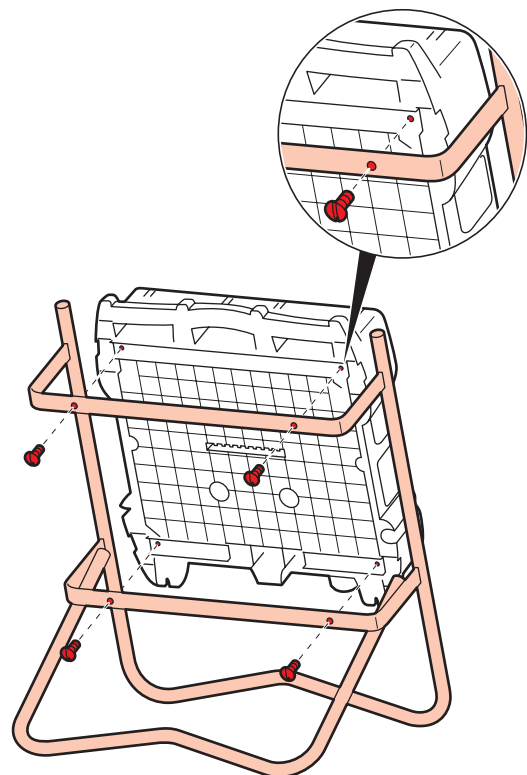
7. ACCESSORIES

■ 7.1 Folding frame: Cat. No. 0 577 43

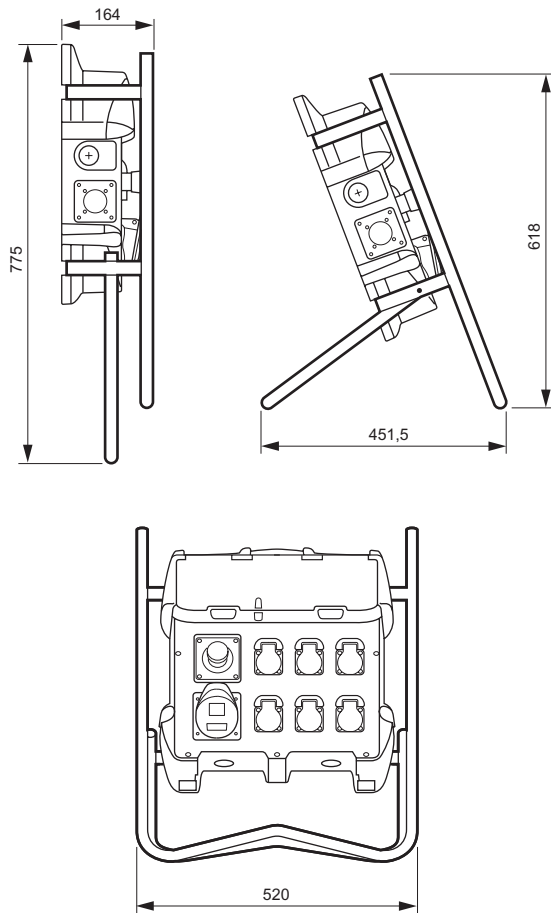
Colour RAL 1003 yellow.

Used to support site units and attach the whole structure to the wall without having to remove the frame.

Compact size for ease of transport and storage.

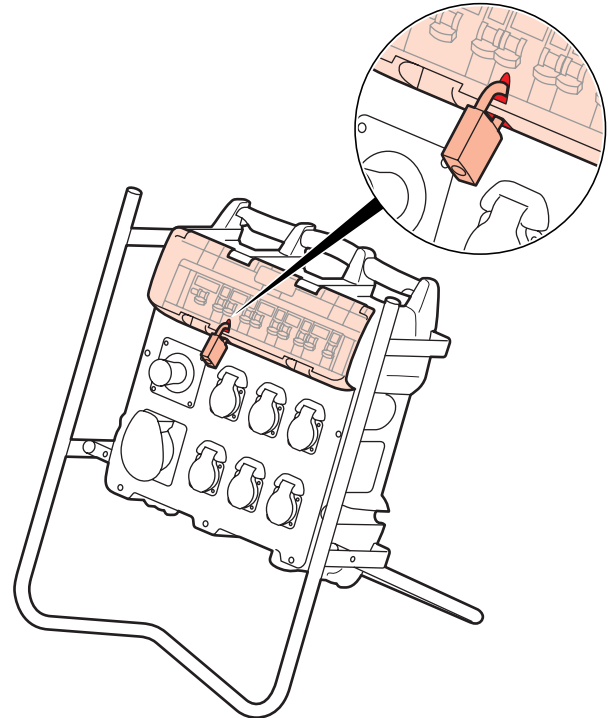


7. ACCESSORIES (continued)



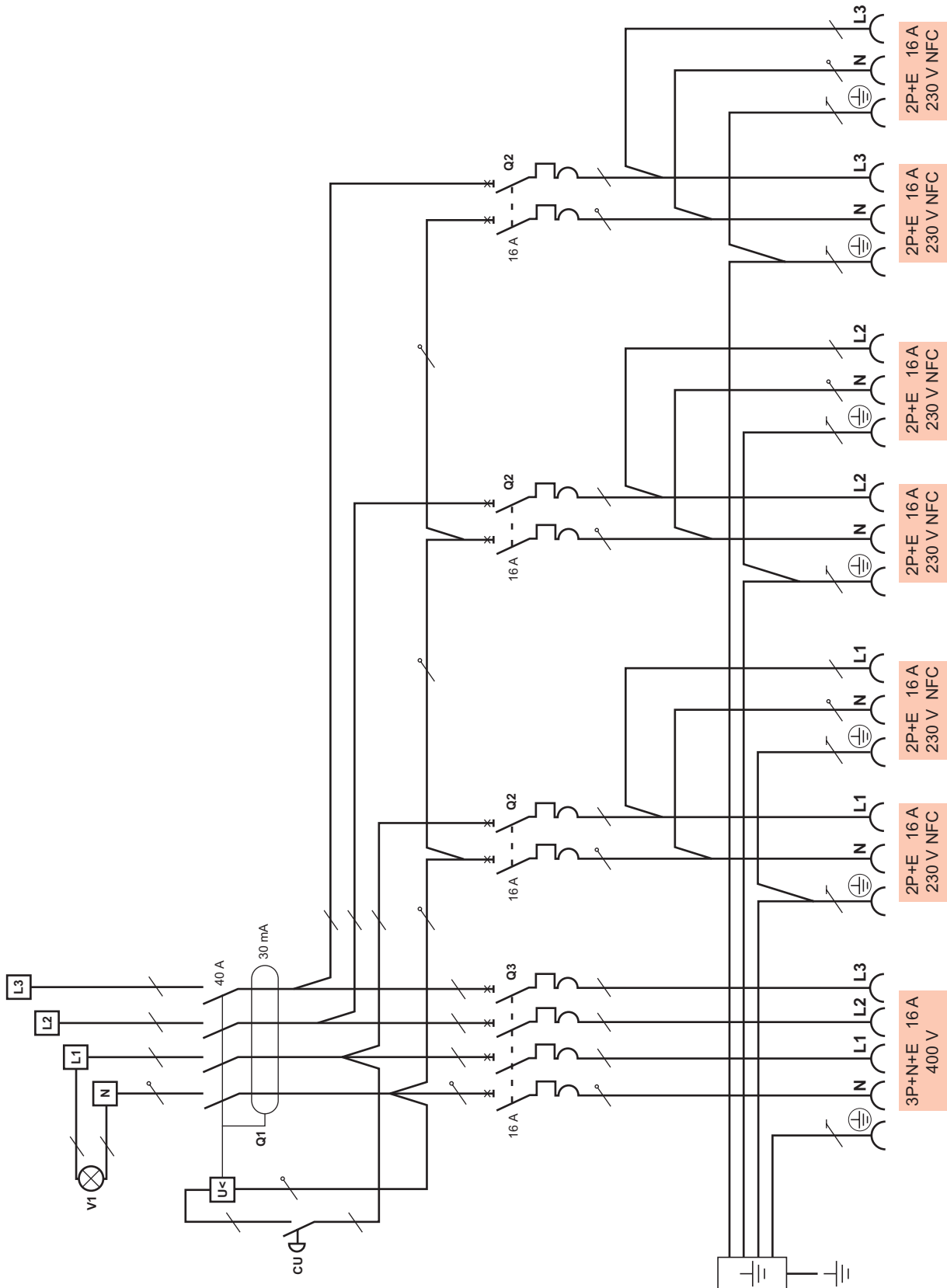
7.2 Padlocking the window

Increased safety: access to protection devices limited by the optional addition of a padlock (Cat. No. 4 063 13)



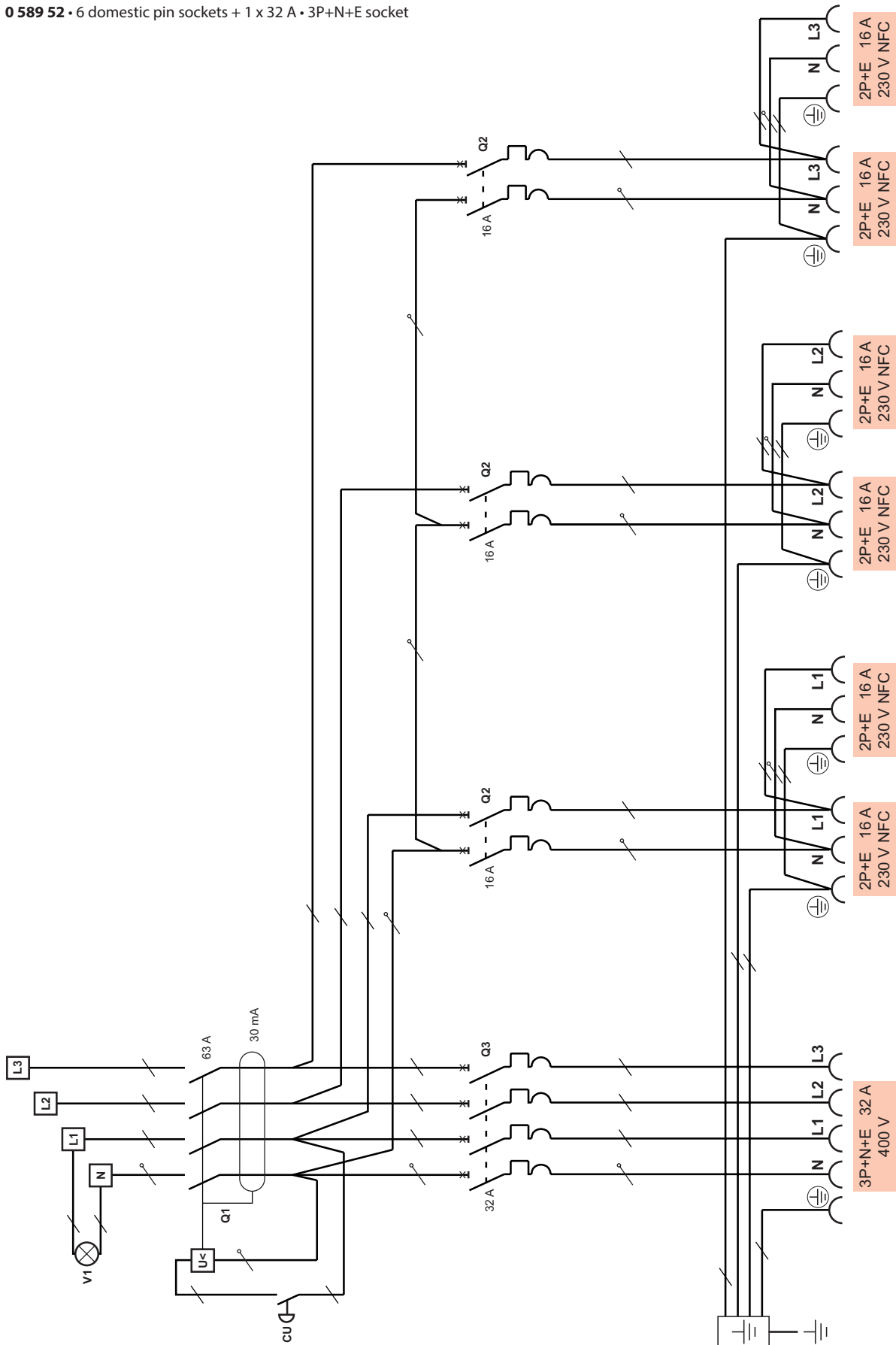
8. WIRING DIAGRAMS (continued)

0 589 51 • 6 domestic pin sockets + 1 x 16 A • 3P+N+E socket



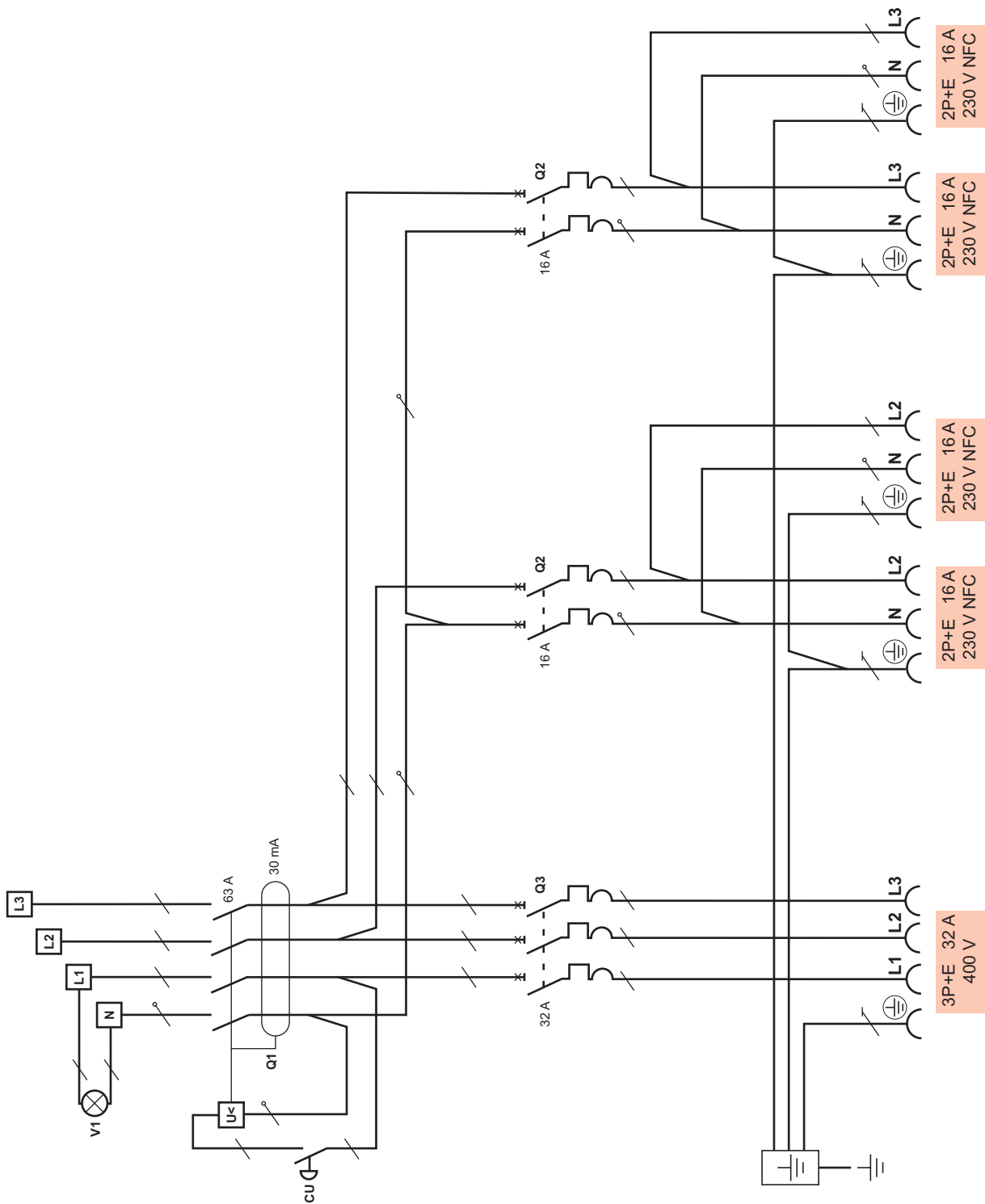
8. WIRING DIAGRAMS (continued)

0 589 52 • 6 domestic pin sockets + 1 x 32 A • 3P+N+E socket



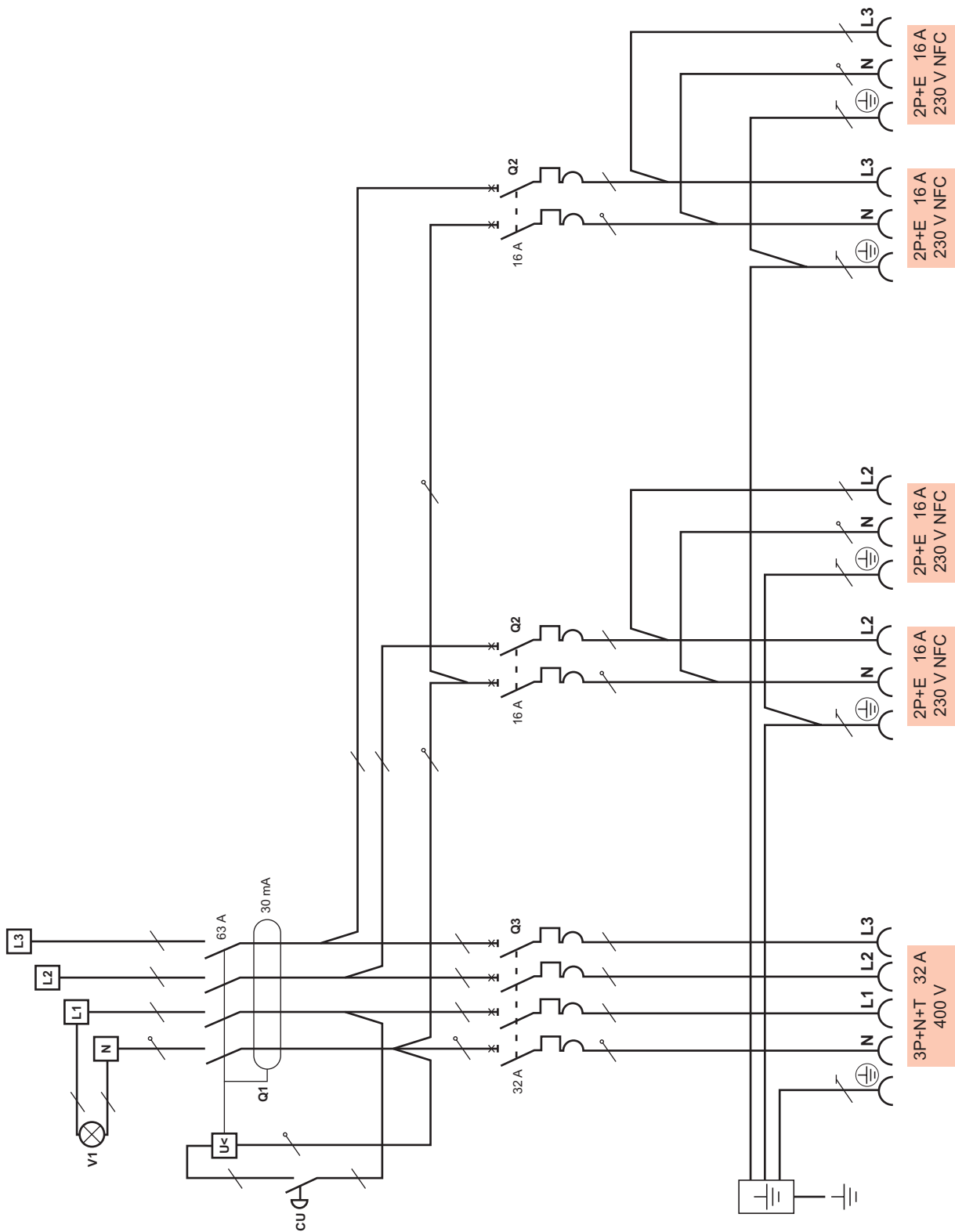
8. WIRING DIAGRAMS (continued)

0 589 53 • 4 domestic pin sockets + 1 x 32 A • 3P+E socket



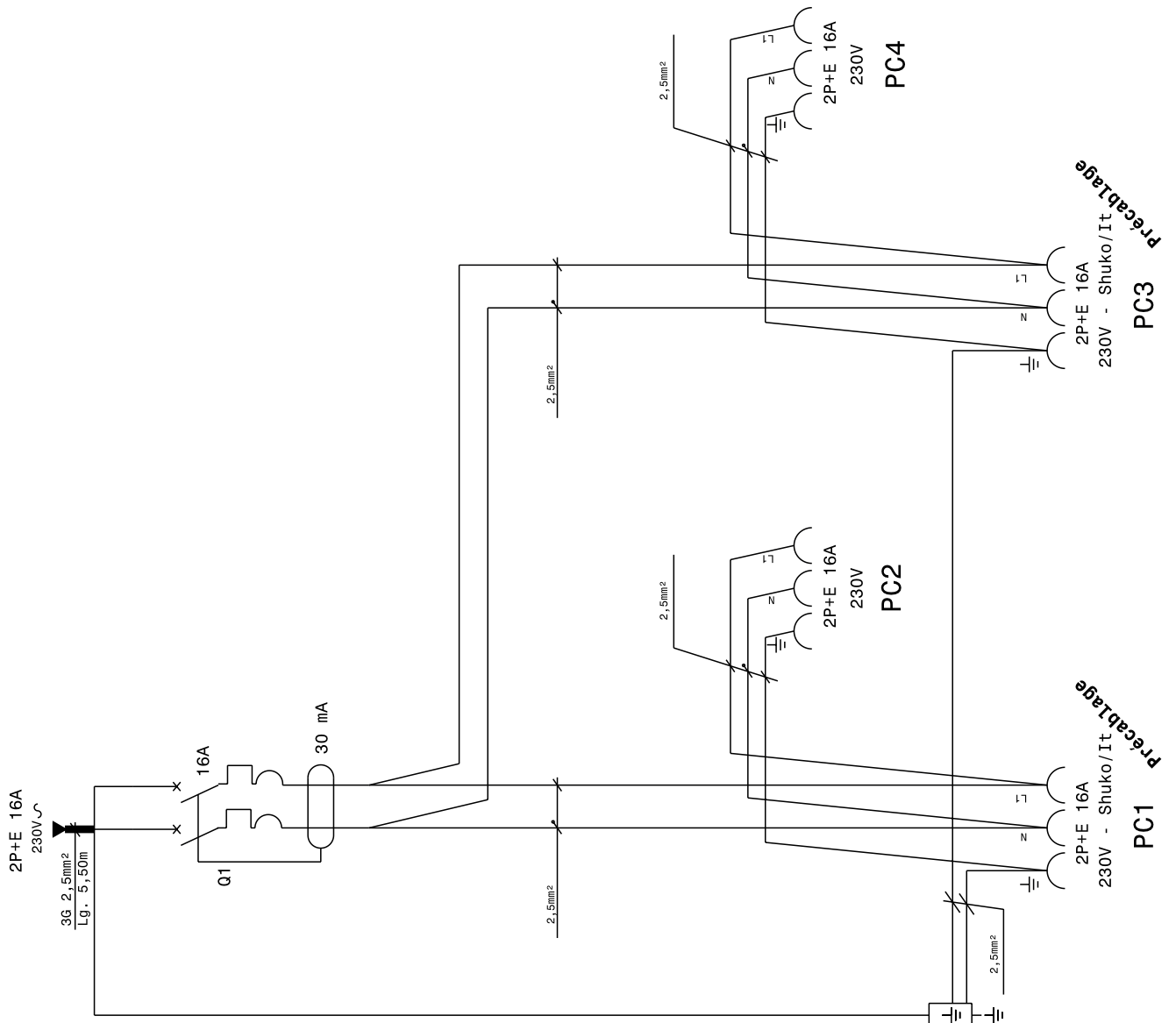
8. WIRING DIAGRAMS (continued)

0 589 54 • 4 domestic pin sockets + 1 x 32 A • 3P+N+E socket



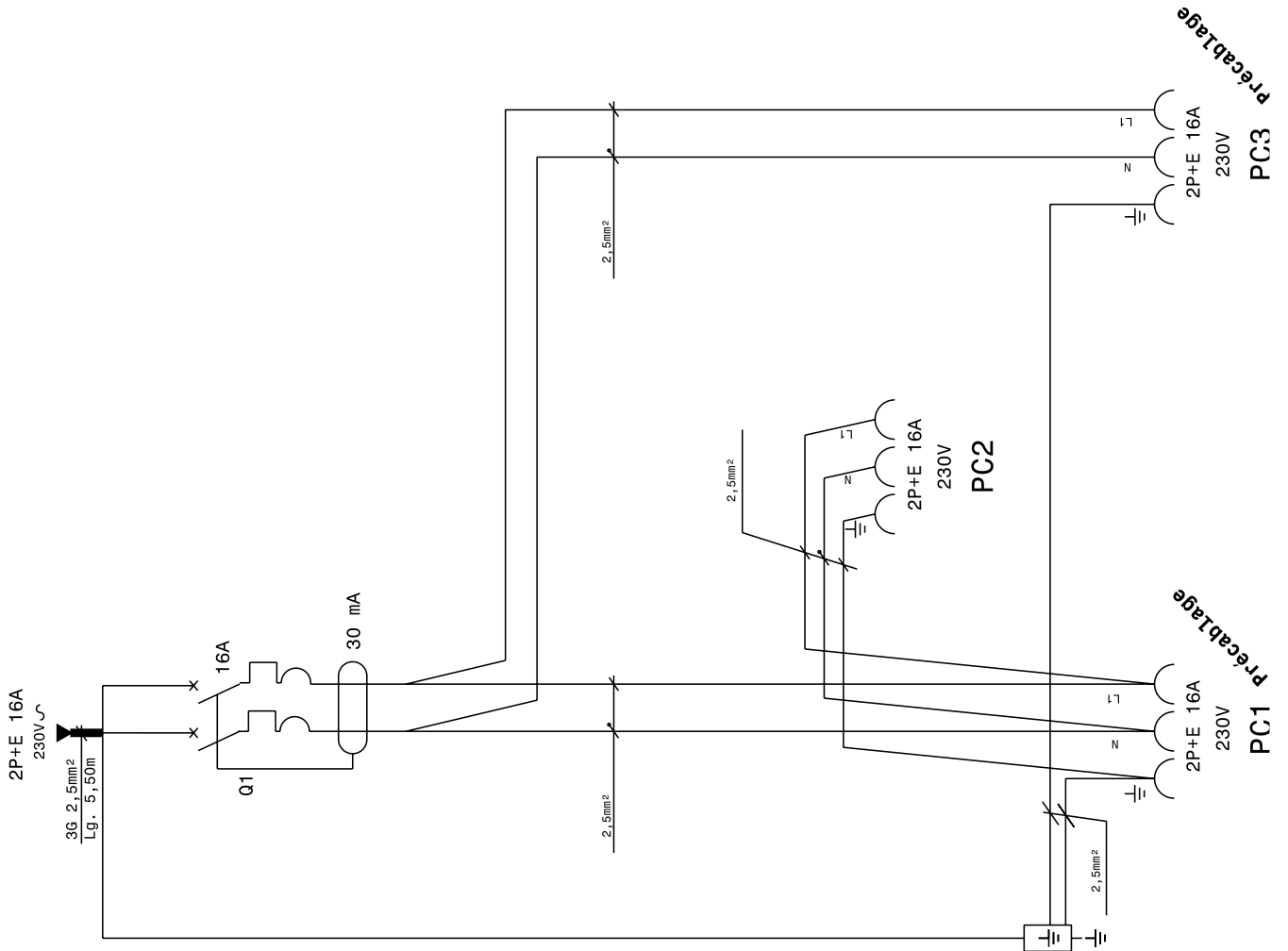
8. WIRING DIAGRAMS (continued)

0 589 70



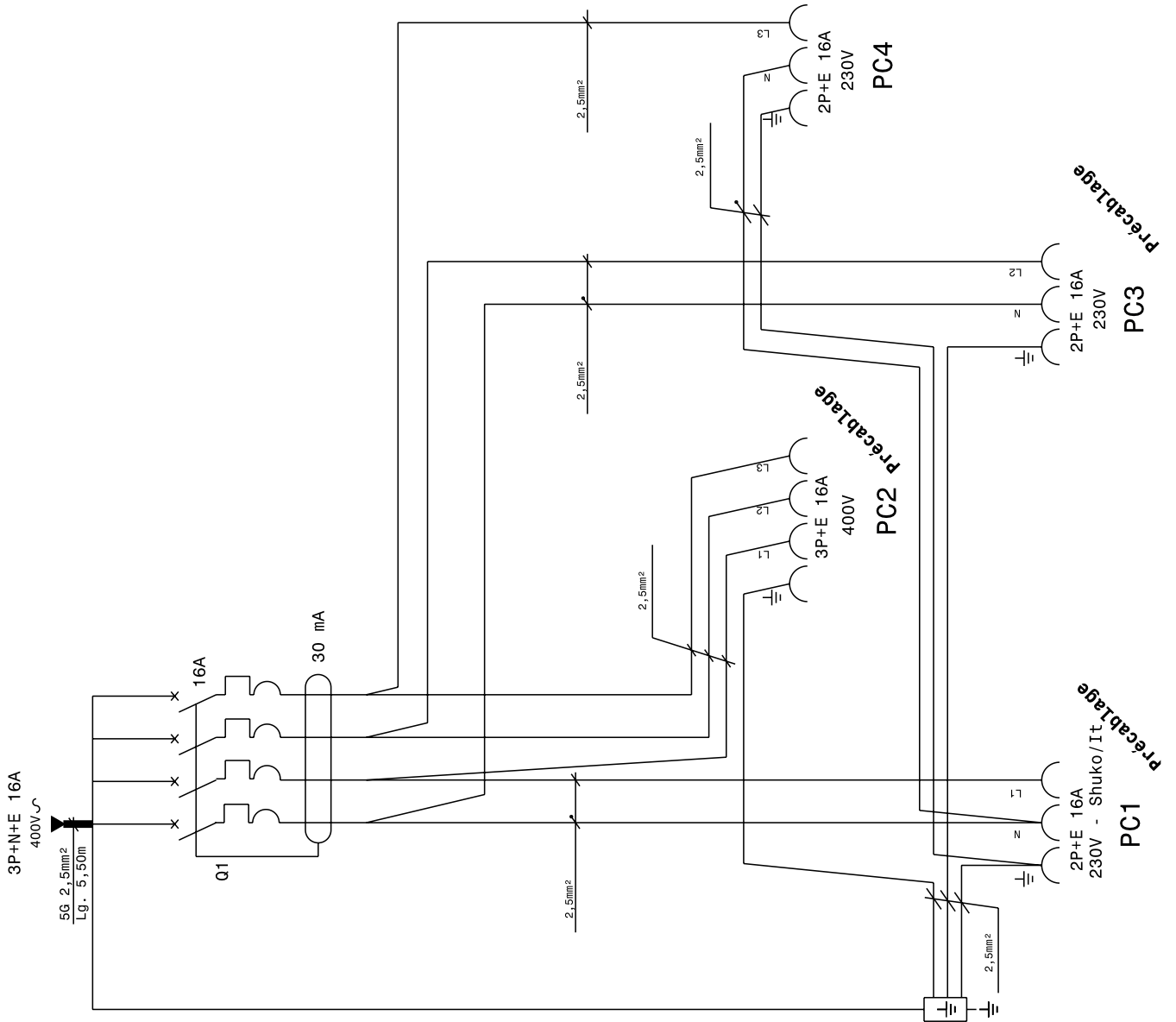
8. WIRING DIAGRAMS (continued)

0 589 71



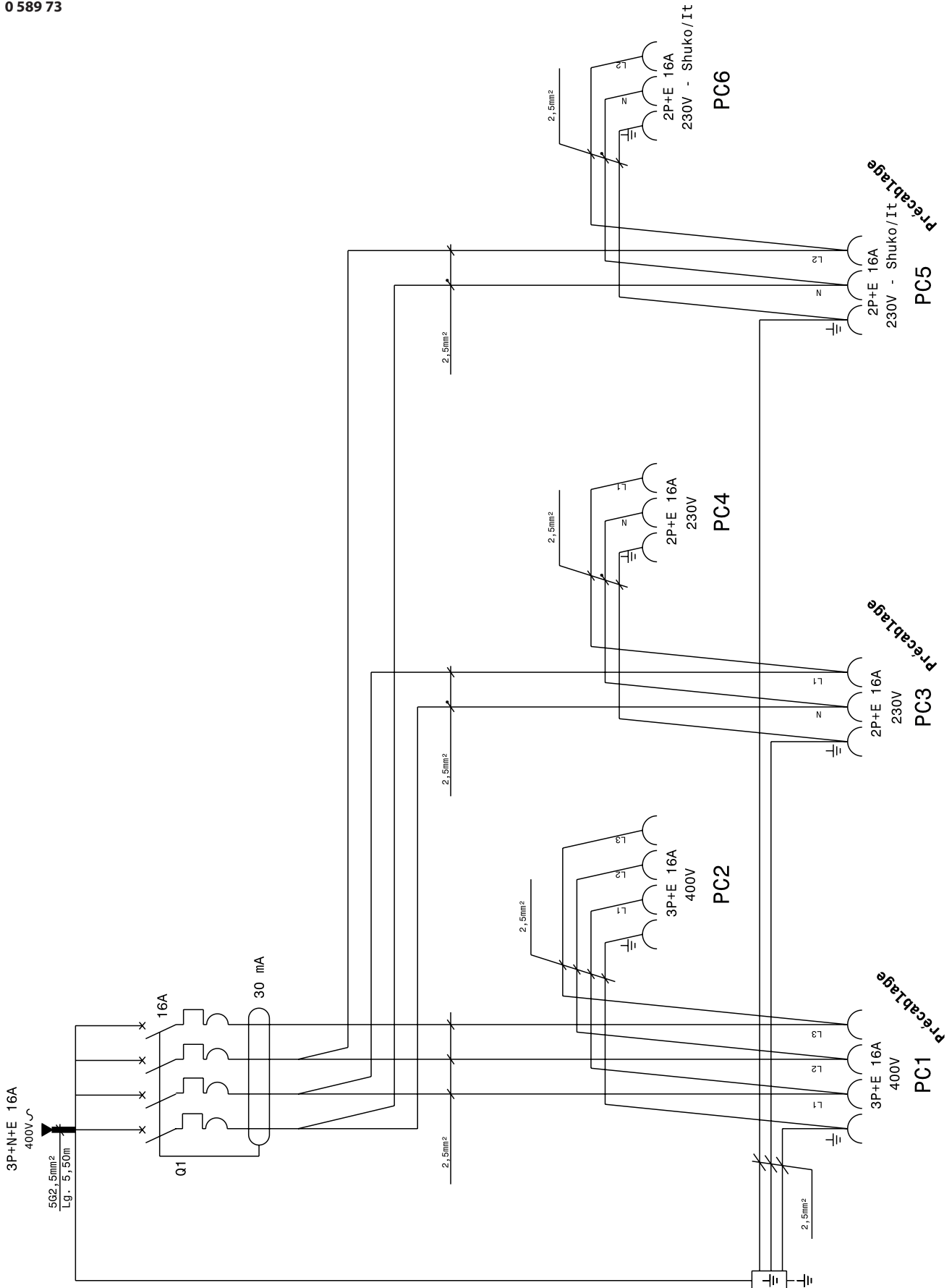
8. WIRING DIAGRAMS (continued)

0 589 72



8. WIRING DIAGRAMS (continued)

0 589 73



8. WIRING DIAGRAMS (continued)

0 589 74

