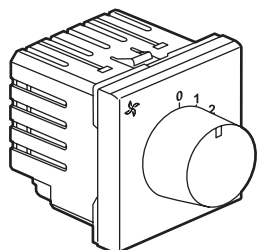
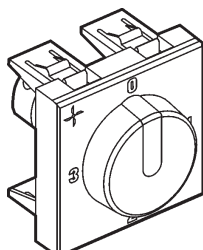


Arteor™ Fan controller

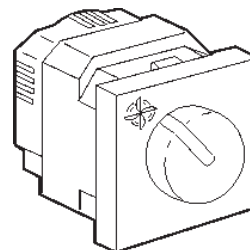
Cat. no(s): 5 722 00/14/15/17/18 - 5 727 00/14/15/17/18/86/87/96/97/98/99
5 730 03/69 - 5 731 03/69 - 5 734 16/63/69 - 5 736 16/63/69



5 722 14/15 - 5 727 14/15/98/99
5 734 63/69 - 5 736 63/69



5 722 17 - 5 727 17/86/87



5 722 18 - 5 727 18/96/97

1. USE

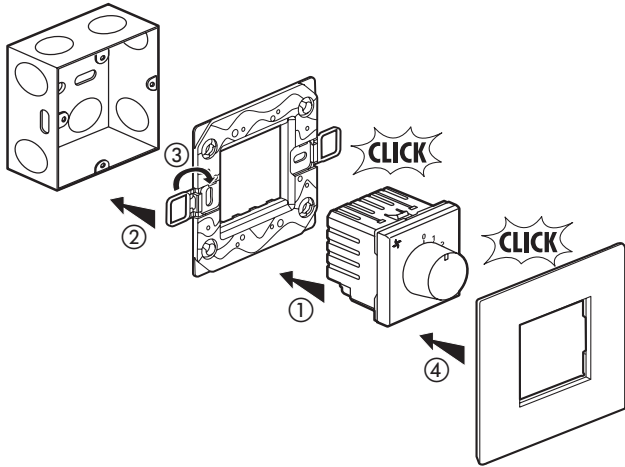
Rotary speed controller for fan.

2. RANGE

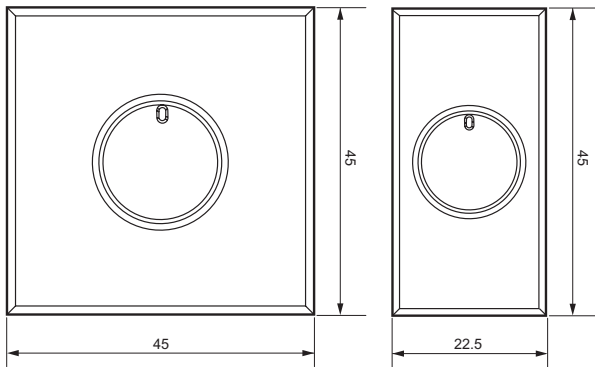
Designation	Finishes				Number of modules	Connection method	Characteristics
	White	Magnesium	Soft alu	Champagne			
Fan controller square	5 722 00	5 727 00	-	-	1	with screws	100 W - 240 V
Fan controller square	5 734 16	5 736 16	-	-	1	with screws	100 W - 240 V
Fan controller square	5 722 14	5 727 14	-	-	2	with screws	100 W - 240 V
Fan controller square	5 734 63	5 736 63	-	-	2	with screws	100 W - 240 V
Fan controller round	5 730 03	5 731 03	-	-	2	with screws	100 W - 240 V
Fan controller square	5 734 69	5 736 69	-	-	2	with screws	120 W - 240 V
Fan controller round	5 730 69	5 731 69	-	-	2	with screws	120 W - 240 V
Fan controller for local market square	5 722 15	5 727 15	5 727 98	5 727 99	2	with screws	100 W - 240 V
AC speed controller for fan square	5 722 17	5 727 17	5 727 86	5 727 87	2	with screws	10 A - 240 V
Rotary speed controller for fan square	5 722 18	5 727 18	5 727 96	5 727 97	2	with screws	400 VA - 240 V

3. PREPARATION

The mechanisms can be flush-mounted or surface-mounted.

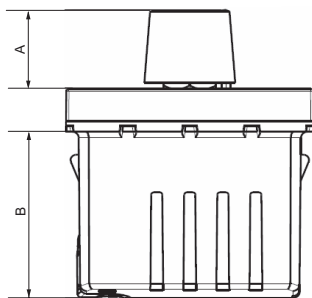


4. OVERALL DIMENSIONS



5 722 14/15/17/18
5 727 14/15/17/18/86/87/96/97/98/99
5 730 03/69 - 5 731 03/69
5 734 63/69 - 5 736 63/69

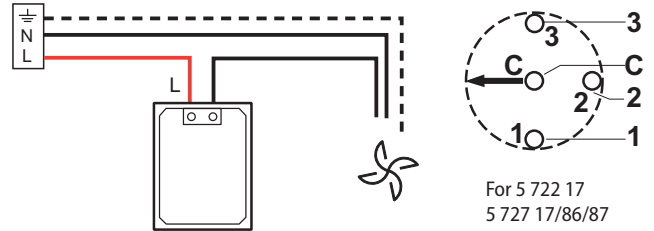
5 722 00 - 5 727 00
5 734 16 - 5 736 16



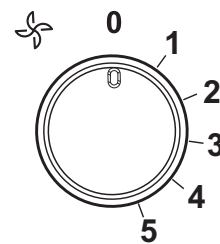
	A	B
5 722 00/14/15 - 5 727 98/99	15.6	33.1
5 727 00/14/15		
5 730 03/69		
5 731 03/69		
5 734 16/63/69		
5 736 16/63/69	9	22
5 722 17 - 5 727 17 /86/87		31.6
5 722 18 - 5 727 18/96/97		

5. CONNECTION

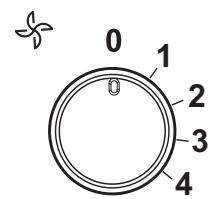
Capacity: 2 x 1.5 mm² or 1 x 2.5 mm²
Screwdriver: flat-blade 3.5 mm



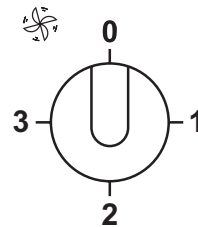
6. OPERATION



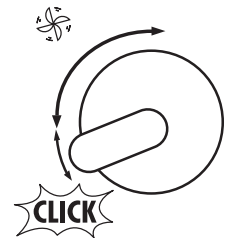
5 722 14/15 - 5 727 14/15/98/99
5 730 03/69 - 5 731 03/69
5 734 63/69 - 5 736 63/69



5 722 00 - 5 727 00
5 734 16 - 5 736 16



5 722 17 - 5 727 17/86/87



5 722 18 - 5 727 18/96/97

7. TECHNICAL CHARACTERISTICS

■ 7.1 Material characteristics

Impact tests: IK 04

Protection by solid bodies/liquids: IP 40 (mounted)
 IP 20 (alone)

■ 7.2 Material characteristics

Base: polycarbonate

Cover plate: polycarbonate


Knob: polycarbonate

■ 7.3 Electrical characteristics

Voltage: 240 V

Frequency: 50/60 Hz

Power:

	
5 722 00/14/15 - 5 727 98/99	100 W
5 727 00/14/15	
5 722 17 - 5 727 17/86/87	10 A
5 722 18 - 5 727 18/96/97	400 VA
5 730 03 - 5 731 03	100 W
5 730 69 - 5 731 69	120 W
5 734 16 - 5 736 16	100 W
5 734 63 - 5 736 63	
5 734 69 - 5 736 69	120 W

Self-extinguishing: 650° C / 30 s

■ 7.4 Climatic characteristics

Storage temperatures: - 10° C to + 70° C

Operating temperatures: - 5° C to + 35° C

8. CLEANING

Surface cleaning with a cloth

Do not use: acetone, tar remover, trichloroethylene

Resistance to the following cleaning agents: Hexane (EN-60669-1), Methylated spirits, Soapy water, diluted ammonia, diluted pure bleach 10%, Glass cleaning substance, Pre-impregnated wipes.

Caution: Always test before using other special cleaning products.

9. STANDARDS AND APPROVALS

Compliance with installation and manufacturing standards.

Refer to e-catalogue.