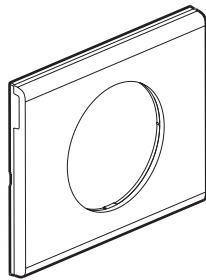
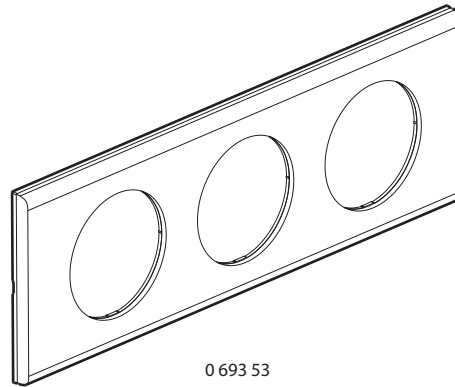


Céliane™ Songe finish plates

Cat. No(s): 0 693 51/52/53/55



0 693 51



0 693 53

1. USE

Plates for covering mechanisms with 1 to 3 gang.
 Horizontal or vertical mounting.

2. RANGE

Plaque 1-gang

	Songe	0 693 51
--	-------	----------

Plate 2 gangs - 71 mm spacing

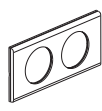
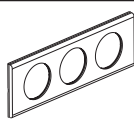
	Songe	0 693 52
---	-------	----------

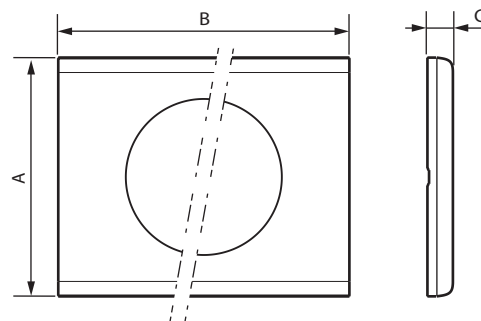
Plate 2 gangs

	Songe	0 693 55
---	-------	----------

Plate 3 gangs - 71 mm spacing

	Songe	0 693 53
---	-------	----------

3. DIMENSIONS (mm)



Cat. Nos	A	B	C
0 693 51	83	100	8.5
0 693 52	83	171	8.5
0 693 53	83	242	8.5
0 693 55	83	313	8.5

4. TECHNICAL CHARACTERISTICS

■ 4.1 Material characteristics

Polycarbonate + Porcelain

Halogen-free

UV-resistant

Self-extinguishing: 650°C/30 s

■ 4.2 Climate characteristics

Usage temperature: - 5°C to + 50°C

Storage temperature: - 10°C to + 70°C

5. CLEANING

Surface cleaning with a cloth.

Do not use: acetone, tar remover, trichloroethylene.

Caution: Always test before using other special cleaning products.

6. SPECIAL USE

Do not paint the plates.