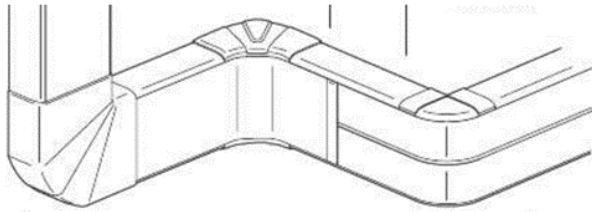


DLP PVC trunking & accessories

Cat. No(s): 10401/02/11/12/13/14/21/22/23/24/27/28/32/33/42/52/53/59/61/62/63/64/65/69/70/72/73/75/76, 10520/21/22/24/26/80/82/83/84, 10601/02/03/05 /06 /07/19/21/22/23/35/36/38/39/50/58/81/82/86/90/91/92/95/96/98/99, 10700/01/02/03/04/05/06/07/08/10/11/20/22/31/32/33/35/36/37/38/39/40/42/43/63/64/65/67/71/72/73/74/80/81/82/83/84/85/86/89/90/92/93/95/96/98, 10800/01/02/04/06, 10900/13/14/17/23/24/25/27/33/34/35/43/44/52/54/56/58/65/92/94/96/98/30881



SOMMAIRE

Page

1. Use	1
2. Range	1
3. Wiring devices supports	9
4. Additional accessoires	12
5. Technical characteristics	15
6. Material characteristics	17

1. USE

The DLP Trunking Distribution System offers:

- installations that are perfectly modular over time.
- distribution, protection, and derivation of the various wires and cables within an electrical installation (preservation of separate access for different types of power and low-current circuits, even at angles).
- trunkings, finishing accessories (end cap, cover joint, body joint, internal angle, external angle, flat angle, junction).

Body fixing is made easier by profile alignment, which can be achieved using partitions, covers, or clip-on body joints.

Meets the requirements for reliability, safety, and technical performance in compliance with standard EN 50085-2-1 (IP40, IK07).

2. RANGE

■ 2.1 Universal DLP trunking: delivered body and cover complete under a single cat. no

Supplied in 2 m lengths.

Fixing options:

- adhesive fixing (neoprene glue cartridge for applicator gun, cat. no 0 309 49)
- wall plugs for immediate fixing (without screws or nails, cat. no 0 308 99)
- DLP quick wall plugs (for plasterboard partitions, minimum thickness 10 mm, cat. no. 0 308 97)
- Spit fastener end cap (enables quick fixing of profiles, cat. no 0 106 95) screws, nails, etc.

Cutting: using a saw (e.g. metal saw) and a mitre box (cat. no 0 306 98).

Integrated partitions (no additional installation required), except for cat. no 0 104 70, which has a removable partition.

Option to add removable separation partitions. Trunking supplied with covers.

Single cover for all dimensions = one single device range.

White color

Compartments number	Cover width (mm)	Dimensions (mm)	Cat. nos
	65 	35x80	0 104 61
	65 	50x80	0 104 62
	65 	50x105	0 104 24
	65 65 	50x150	0 104 27
	65 65 65 	50x220	0 104 28
	85 	35x105	0 104 63
	85 	50x105	0 104 64
	85 85 	50x195	0 104 70 removable partition
	130 	50x150	0 104 65
	180 	50x195	0 104 69
	130 	65x150	0 104 75
	180 	65x195	0 104 76

DLP PVC trunking & accessories

Cat. No(s): 10401/02/11/12/13/14/21/22/23/24/27/28/32/33/42/52/53/59/61/62/63/64/65/69/70/72/73/75/76, 10520/21/22/24/26/80/82/83/84, 10601/02/03/05/06/07/19/21/22/23/35/36/38/39/50/58/81/82/86/90/91/92/95/96/98/99, 10700/01/02/03/04/05/06/07/08/10/11/20/22/31/32/33/35/36/37/38/39/40/42/43/63/64/65/67/71/72/73/74/80/81/82/83/84/85/86/89/90/92/93/95/96/98, 10800/01/02/04/06, 10900/13/14/17/23/24/25/27/33/34/35/43/44/52/54/56/58/65/92/94/96/98/30881

2. RANGE (CONT.)

■ **2.2 Adaptable DLP trunking = body delivered without cover(s)**
System to be configured according to the specific requirements of the project.

Supplied in 2 m lengths without cover.

Fixing options:

- adhesive fixing (neoprene glue cartridge for applicator gun, cat. no 0 309 49)

- wall plugs for immediate fixing (without screws or nails, cat. no 0 308 99)

DLP quick wall plugs (for plasterboard partitions, minimum thickness 10 mm, cat. no 0 308 97)

- Spit fastener end cap (enables quick fixing of profiles, cat. no 0 106 95) screws, nails, etc.



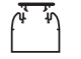
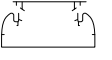
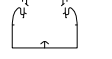
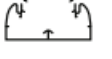
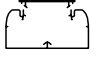
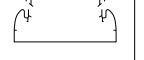
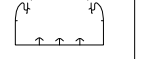
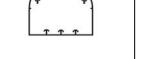
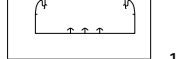
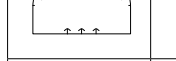
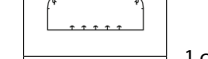
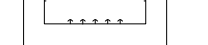
Cutting: using a saw (e.g. metal saw) and a mitre box (cat. no 0 306 98).

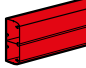
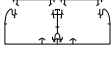
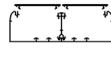
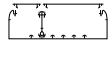
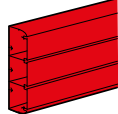
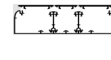
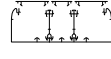
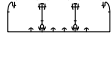
Option to add removable partitioning and separation dividers.

Universal applications, open solutions (compatible with Mosaic, Hypra, and Lexic ranges).

White color.

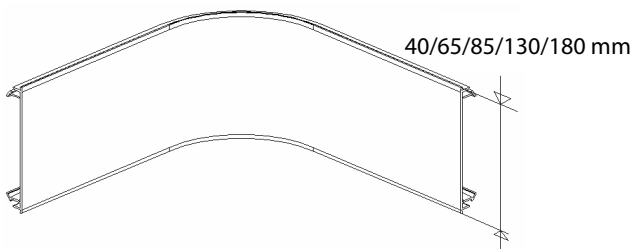
Body and cover secured by clip-on fixing (removal using a tool, e.g. a screwdriver).

Compartments number	To be combined with cover width (mm)	Dimensions (mm)	Cat. nos		
		1 cv 40	35x60	0 104 01	
			50x60	0 104 02	
		1 cv 65	35x80	0 104 11	
			50x80	0 104 12	
			65x80	0 104 13	
			50x105	0 104 14	
			1 cv 85	35x105	0 104 21
				50x105	0 104 22
		65x105		0 104 23	
		1 cv 130	50x150	0 104 32	
			65x150	0 104 33	
		1 cv 180	50x195	0 104 52	
			65x195	0 104 53	

Compartments number	To be combined with cover width (mm) (mm)	Dimensions (mm)	Cat. nos	
		2 cv 65	50x150	0 104 32
			65x150	0 104 33
		2 cv 85	50x195	0 104 52
			65x195	0 104 53
		1 cv 65 1 cv 130	65x220	0 104 59
			1 cv 40 2 cv 65	50x195
		65x195		0 104 53
		3 cv 65	65x220	0 104 59

2. RANGE (CONT.)

2.3 Flexible cover



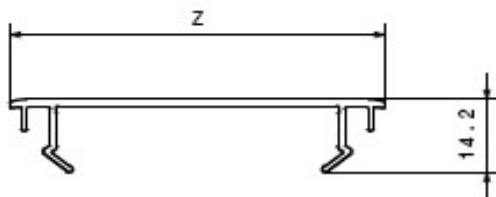
Covers supplied in 2 m lengths.
Cutting: using a saw (e.g. a metal saw) and a mitre box (cat. no 0 306 98).

- Fits along the full trunking, including internal and external angles (adapts to the site configuration).
- Easy clip-on fixing, even at angles, with removal using a tool to ensure installation safety.

The flexible covers of the DLP range provide a more adaptable and flexible system, featuring a new aesthetic and allowing perfect separation of power and data circuits.

White color.

Overall dimensions:



Covers cat. nos	Z (mm)	width
0 105 20	40	1,5 mm
0 105 21	65	
0 105 22	85	
0 105 24	130	1,8 mm
0 105 26	180	1,9 mm

Assembly bodies-covers by clip-on (disassembling using a tool e.g.: screwdriver)

2.4 Partitions

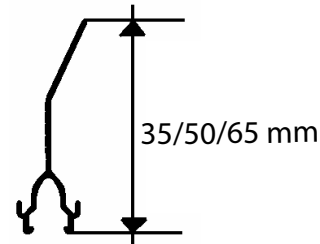
2.4.1 Separation partitions

Supplied in 2 m lengths.

White color.

Enables separation of different types of circuits (mains power, telephone, data, etc.).

Secured to the trunking body by clip-on fixing for cat. nos 0 105 82 / 0 105 83, and by adhesive fixing for cat. no 0 105 84.



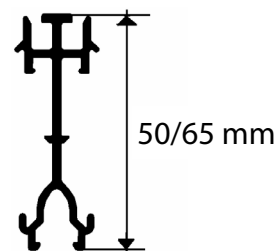
Separation partition cat. nos	for trunking height
0 105 84 self-adhesive	35 mm
0 105 82	50 mm
0 105 83	65 mm

2.4.2 Dividing partitions

Supplied in 2 m lengths. White color.

Enables separation of different types of circuits (mains power, telephone, data, etc.).

Secured to the trunking body by clip-on fixing.



Dividing partitions cat. nos	for trunking height
0 104 72	50 mm
0 104 73	65 mm

2. RANGE (CONT.)

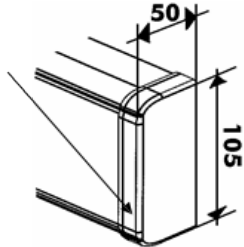
2.5 End caps

Allows to block the end of the body:

- respect of the protection degree
- improvement of aesthetics (covering of the cut)
- left or right end cap

Assembly on the body by fitment and screwing.

The end cap is delivered with a screw and of a part of closing

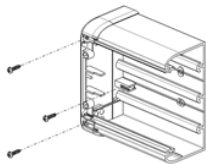


Installation on trunking with or without partition.

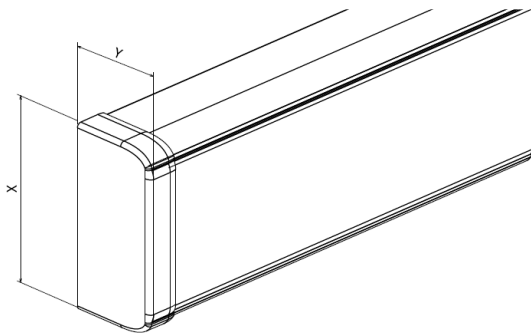
To simplify the range, some end caps can be fitted to trunking of different thicknesses.

The finishing cover is fixed to the end cap (with a captive tether).

White color.

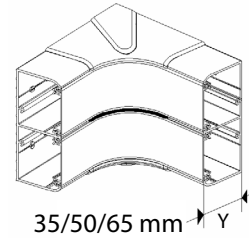


Overall dimensions



Cat. nos	X (mm)	Y (mm)	To be used with trunking cat. nos
0 107 00	105	50	0 104 14/24
0 107 01	105	35	0 104 21/63
0 107 02	105	50	0 104 22/64
0 107 03	150	50	0 104 27/32/65
0 107 04	105	65	0 104 23
0 107 05	220	50	0 104 28
0 107 06	150	65	0 104 33/75
0 107 07	195	65	0 104 53/76
0 107 08	220	65	0 104 59
0 107 10	170	50	0 104 67
0 107 11	195	50	0 104 52/69/70
0 107 20	60	35/50	0 104 01/02
0 107 22	80	35/50	0 104 11/12/61/62

2.6 Variable internal angles



Enables the internal angle junction of two trunking sections of the same cross-section:

- eliminates the need for mitre cutting on the trunking
- maintains the protection rating
- improves aesthetics (cut edges are covered and there is little or no added thickness)

Note: device mounting supports must not be installed closer than 100 mm on each side of the angle edge.

Clip-on fixing onto the trunking body (provides improved grip of the angle assemblies to the trunking).

Installation on trunking with or without partition or separation divider.

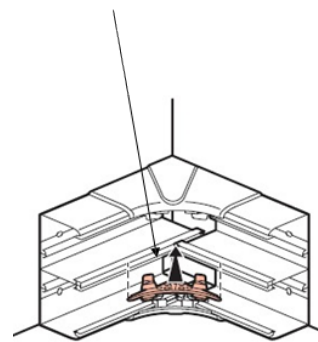
Allows the creation of internal angles from 80° to 100°.

Internal angle include the two components for the upper and lower parts of the trunking, between which the flexible cover is secured.

To simplify the range, some angle cat. nos are supplied with partition junctions (for multi-compartment trunking).

White color.

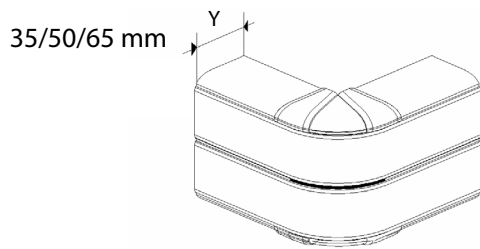
Partition junction



Cat. nos	Y (mm)	Junction partition	To be used with trunking cat. nos
0 106 01	35	0	0 104 01/11/21/61/63
0 106 02	50	0	0 104 02/12/22/32/62/64/65/69
0 106 03	65	0	0 104 23/33/53/75/76
0 106 05	50	0	0 104 14/24
0 106 06	50	1	0 104 27/32/52/70
0 106 07	65	1	0 104 33/53/59
0 106 50	50	2	0 104 28/52
0 106 58	65	2	0 104 53/59

2. RANGE (CONT.)

2.7 Variable external angles



Enables the external angle junction of two trunking sections of the same cross-section:

- eliminates the need for mitre cutting on the trunking
- maintains the protection rating
- improves aesthetics (cut edges are covered and there is little or no added thickness)

Note: device mounting supports must not be installed closer than 100 mm on each side of the angle edge.

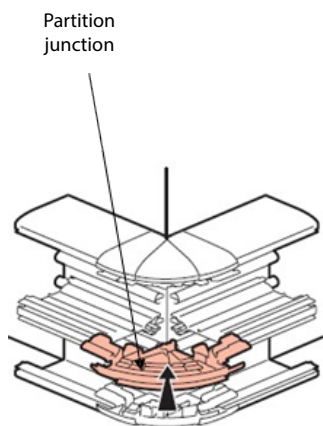
Clip-on fixing onto the trunking body (provides improved grip of the angle assemblies to the trunking).

Installation on trunking with or without partition or separation divider.

Allows the creation of internal angles from 60° to 120°.

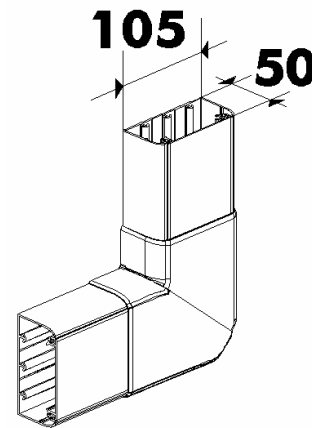
External angle include the two components for the upper and lower parts of the trunking, between which the flexible cover is secured. To simplify the range, some angle cat. nos are supplied with partition junctions (for multi-compartment trunking).

White color.



Cat. nos	Y (mm)	Partition junction	To be used with trunking cat. nos
0 106 19	50	0	0 104 14/24
0 106 21	35	0	0 104 01/11/21/61/63
0 106 22	50	0	0 104 02/12/22/32/52/62/64/65/69
0 106 23	65	0	0 104 23/33/53/75/76
0 106 35	50	1	0 104 27/32/52/70
0 106 36	65	1	0 104 33/53/59
0 106 38	50	2	0 104 28/52
0 106 39	65	2	0 104 53/59

2.8 Variable flat angles



Enables the flat junction of two trunking sections of the same cross-section:

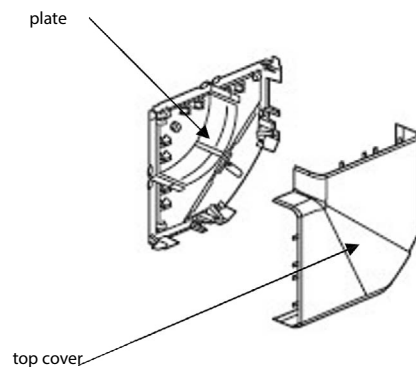
- eliminates the need for mitre cutting on the trunking
- maintains separation of the different types of circuits
- maintains the protection rating
- improves aesthetics (cut edges are covered)

Clip-on installation onto the trunking body.

Installation on trunking with or without partitioning or separation divider.

Allows the creation of variable flat corners (90° ± 2.5°).

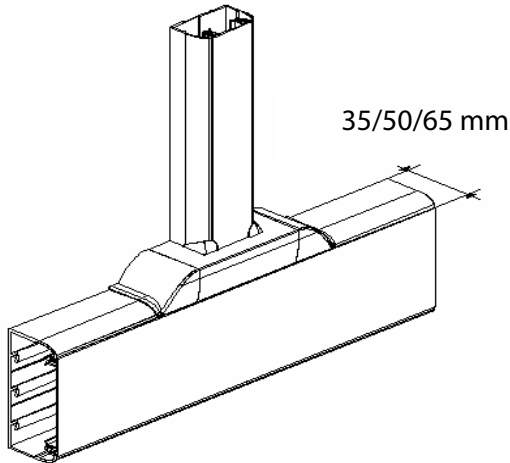
White color.



Cat. Nos	To be used with trunking following dimensions	To be used with trunking cat. nos
0 107 67	80 x 35/50	0 104 11/12/61/62
0 107 84	105 x 35	0 104 21/63
0 107 85	105 x 50	0 104 22/64
0 107 86	105 x 50	0 104 14/24
0 107 89	150 x 50	0 104 27/32/65
0 107 90	150 x 65	0 104 33/75
0 107 92	195 x 50	0 104 52/69/70
0 107 93	195 x 65	0 104 53/76
0 107 95	220 x 50	0 104 28
0 107 96	220 x 65	0 104 59
0 107 98	170 x 50	0 104 67

2. RANGE (CONT.)

■ 2.9 Flat junctions to tap-off to same trunking cat. nos 0 10731/32/33



Enables the T-joint connection of two trunking sections.

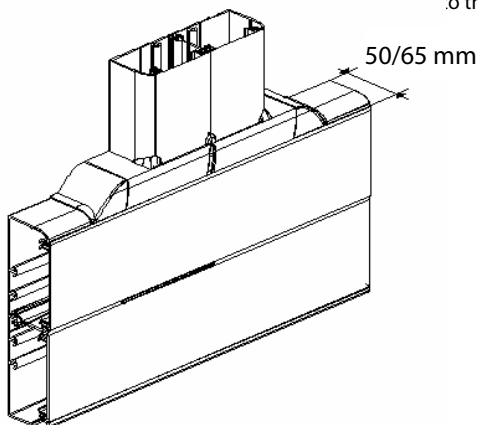
- Maintains the protection rating.
- Improves aesthetics (cut edges are covered).
- Clip-on installation onto the trunking body.

White color

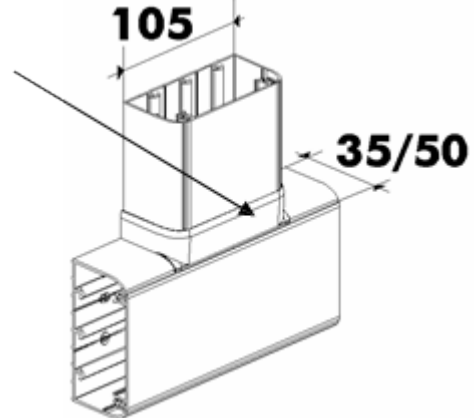
- 10731 : For trunking H 35mm to tap-off to a trunking with dimensions smaller than 35x105
- 10732 : For trunking H 50mm to tap-off to a trunking with dimensions smaller than 50x105
- 10733 : For trunking H 65mm to tap-off to a trunking with dimensions smaller than 65x105

For 10732 / 10733, and to tap-off to a trunking with a width greater than 105 mm, use:

- 2 body junctions (e.g. to tap-off from a 150 x 50 trunking to the same 150 x 50 trunking, use 2 x 10732)
- 3 body junctions (e.g. to tap-off from a 150 x 50 trunking to the same 220 x 65 trunking, use 3 x 10732)



■ 2.10 Flat junctions to tap-off to 80 & 105 mm width trunkings cat. nos 0 10735/36/37/38/39/40



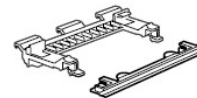
Enables the T-joint connection of two trunking sections.

- Maintains the protection rating.
- Improves aesthetics (cut edges are covered).
- Clip-on installation onto the trunking body.

White color

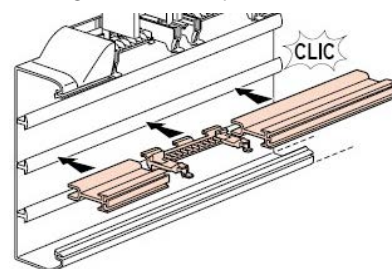
- 10735 : To tap-off to an 80mm width trunking
- 10736 : To tap-off to an 105mm width trunking fitted with an 85mm cover
- 10737 : To tap-off to an 105mm width trunking fitted with an 65mm cover
- 10738 : To tap-off to an 105mm width and 50mm depth trunking.
- 10739 : To tap-off from a 105 mm width trunking with 65mm cover to an 80 mm width trunking.
- 10740 : To tap-off from a 105 mm width trunking with 65mm cover to an 105 mm width trunking with 65 mm cover

■ 2.11 Additional accessory for flat junctions cat. nos 0 107 42/43



Enables cable management from the lower compartment.

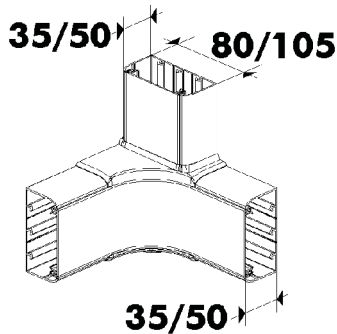
- 0 10742: for trunking with 50 mm depth.
- 0 10743: for trunking with 65 mm depth.



Fixes directly into the base of the trunking (on the "T" junction), between two partition dividers.

2. RANGE (CONT.)

2.12 Angled junctions cat. nos 107 63/64/65

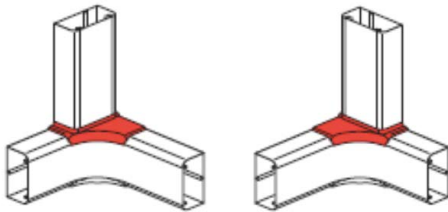


Enables junction at an internal angle on a left-hand or right-hand wall to 35 × 80, 35 × 105, 50 × 80, or 50 × 105 mm trunking.

- Maintains the protection rating.
- Improves aesthetics (cut edges are covered).
- Clip-on installation onto the trunking body.

White color.

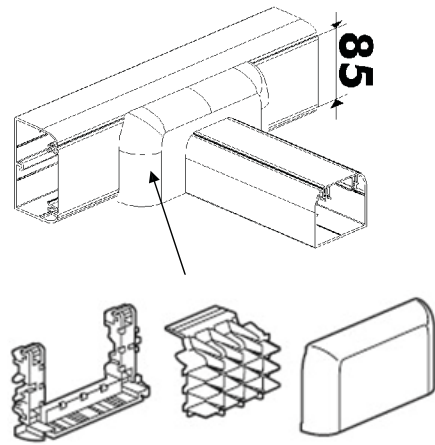
Example: internal angle junction installation on a left-hand wall and a right-hand wall.



To be combined with internal angles

Trunking cat. nos	Angled junctions to be used	To combine with internal angles
0 104 61	0 107 63	0 106 01
0 104 62	0 107 63	0 106 02
0 104 14/24	0 107 65	0 106 05
0 104 27	0 107 63	0 106 06
0 104 28	0 107 63	0 106 50
0 104 63	0 107 63	0 106 01
0 104 64	0 107 63	0 106 02
0 104 65	0 107 63	0 106 02
0 104 69	0 107 63	0 106 02
0 104 11	0 107 63	0 106 01
0 104 12	0 107 63	0 106 02
0 104 21	0 107 63	0 106 01
0 104 22	0 107 63	0 106 02
0 104 32	0 107 63	0 106 02/06
0 104 33	0 107 64	0 106 03/07
0 104 53	0 107 64	0 106 03/07/58
0 104 59	0 107 64	0 106 07/58
0 104 70	0 107 63	0 106 06
0 104 75	0 107 64	0 106 03
0 104 76	0 107 64	0 106 03
0 104 02	0 107 63	0 106 02

2.13 Wall to ceiling or wall to floor junctions connection cat. nos 0 107 71/72/73/74



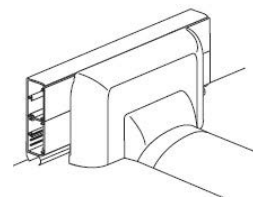
To tap-off from wall to ceiling for example to supply power to a luminaire.

- Maintains the protection rating.
- Improves aesthetics (cut edges are covered).
- Clip-on installation onto the trunking body.

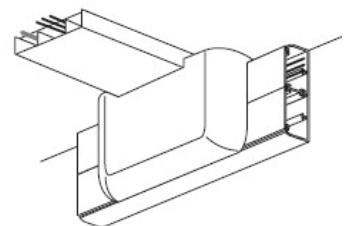
White color.

Cat. nos	To be used with cover width (mm) or with trunking cat. no
0 107 71	65
0 107 72	85
0 107 73	only for trunkings cat. nos 0 104 /24
0 107 74	130

Floor installation: to tap-off from a DLP trunking to a floor duct.

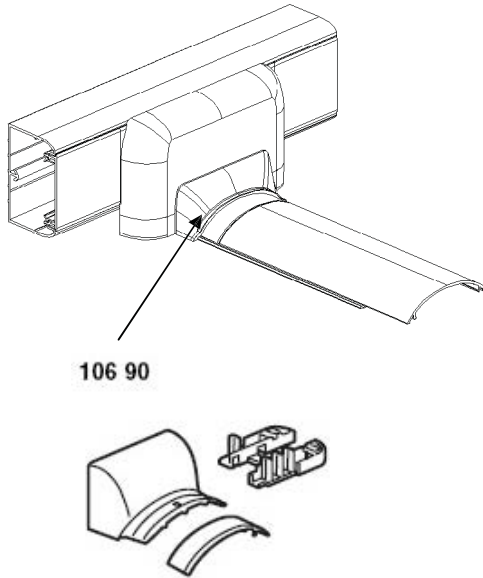


Ceiling installation: to tap-off from a DLP trunking to a mini-trunking.



2. RANGE (CONT.)

■ 2.14 Floor duct junctions cat. no 0 106 90

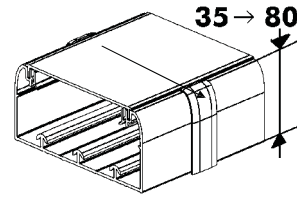


Enables to tap-off on a floor duct cat. no 0 328 00.
 - Maintains the protection rating.
 - Improves aesthetics (cut edges are covered).
 - Clip-on installation onto the trunking body.
 White color.

Cat. nos	To be used with cover width (mm)
0 107 71/73 + 0 106 90	65
0 107 72 + 0 106 90	85
0 107 74 + 0 106 90	130

No derivation for floor duct for cat. no 0 104 14/24 (trunking 105x50 with cover 65mm)

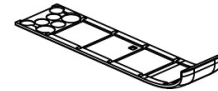
■ 2.15 Body joints cat. nos 0 106 91/92/96



Enables:
 - end-to-end joining of two trunking sections with the same cross-section
 - maintenance of the protection rating
 - improved aesthetics (cut edges are covered)
 - alignment of trunking bodies during installation (cat. no 0 106 91) and (cat. no 0 106 96 for 105 × 50 trunking with 65 mm cover)
 - adhesive fixing, for installation at the end of the installation process (cat. no 0 106 92)

To simplify the range, the body joints can be fitted to trunking bodies of different thicknesses.
 The body joints are cuttable.

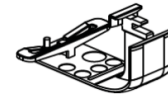
Cat. no 0 106 92, adhesive body joint



Cat. no 0 106 91, body joint for aligning bases during installation



Cat. no 0 106 96, body joint for aligning bases during installation only for 105x50 trunking fitted with 65 mm cover

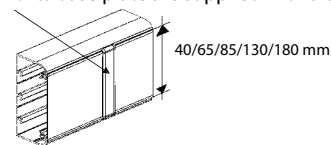


■ 2.16 Cover joints cat. nos 0 108 00/01/02/04/06

Enables:
 - end-to-end joining of two trunking sections with the same cross-section
 - maintenance of the protection rating
 - improved aesthetics (cut edges are covered)

The joint base plate is clip-fixed onto the trunking, and the joint is then clip-fixed onto its base plate.

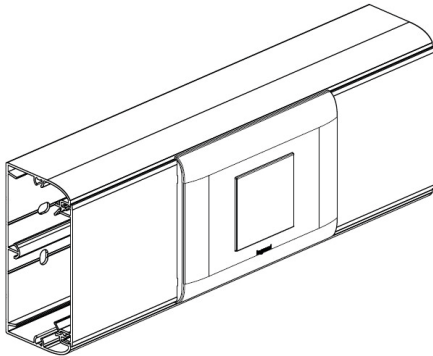
The cover joint and its base plate are supplied with a captive tether.



Cat. nos	To be used on cover width (mm)	for covers cat. nos
0 108 00	40	0 105 20
0 108 01	65	0 105 21
0 108 02	85	0 105 22
0 108 04	130	0 105 24
0 108 06	180	0 105 26

3. WIRING DEVICES SUPPORTS

3.1 Mosaic supports cat. nos 0 109 52/54/56/58/92/94/96/98



Enables:

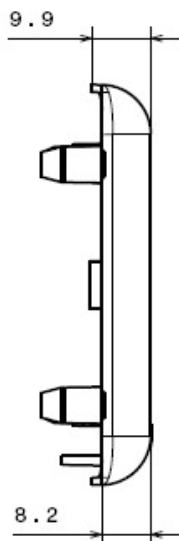
- installation of Mosaic sockets on trunking fitted with 65 mm or 85 mm covers, for 2 / 3 / 4 / 6 / 8-module trunking.
- installation of standard French 2-module Mosaic sockets in horizontal and vertical positions using supports 0 109 21 and 0 109 22 (horizontal position only for the other supports).

Use of Mosaic supports depending on the trunking covers:

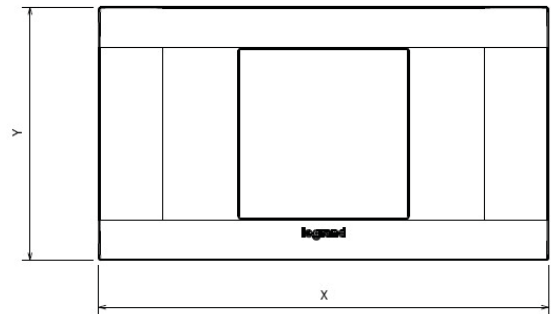
Cover width (mm)	2 modules	4 modules	6 modules	8 modules
65	0 109 52	0 109 54	0 109 56	0 109 58
85	0 109 92	0 109 94	0 109 96	0 109 98

Overall dimensions

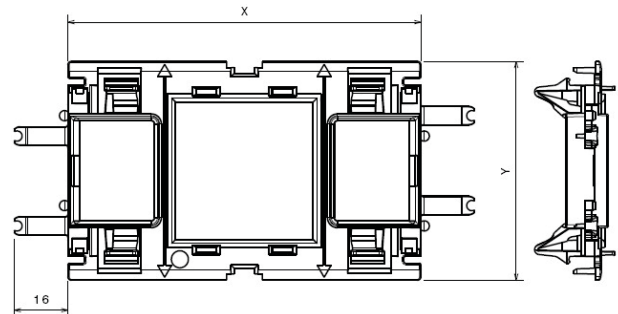
Plate thickness (mm)



Plate



Frame



For 65 mm cover:

Y(mm)= 67.5mm width for the plates

Y(mm)= 64.5mm width for the frames

65mm cover	2 modules 0 109 52	4 modules 0 109 54	6 modules 0 109 56	8 modules 0 109 58
frame X (mm)	104	149.2	194.4	239.6
plate X (mm)	120	165.2	200.4	255.6

For 85 mm cover:

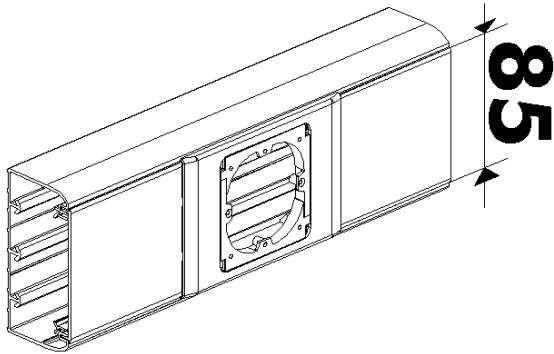
Y(mm)= 90 mm width for the plates

Y(mm)= 87 mm width for the frames

85 mm cover	2 modules 0 109 92	4 modules 0 109 94	6 modules 0 109 96	8 modules 0 109 98
frame X (mm)	104	149.2	194.4	239.6
plate X (mm)	120	165.2	200.4	255.6

3. WIRING DEVICES SUPPORTS (CONT.)

3.2 Universal supports cat. nos 0 109 13/23/33/43/14/24/34/44



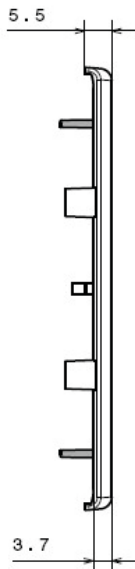
Enables:

- Clip-in and side-by-side mountable supports, grey color, supplied with a white finishing plate.
- Installation on trunking fitted with 85 mm or 130 mm covers of 1 / 2 / 3 / 4-gang devices from the Mosaic range, Céliane range, or other devices with 60 mm fixing centers.
- Installation of Mosaic devices on 130 mm covers is possible using 0 109 14 / 24 / 34 / 44 combined with a metal support with 60 mm fixing centers, cat. no 0 802 51 (or equivalent).
- Vertical installation is possible with cat. nos 0 109 13 and 0 109 14.

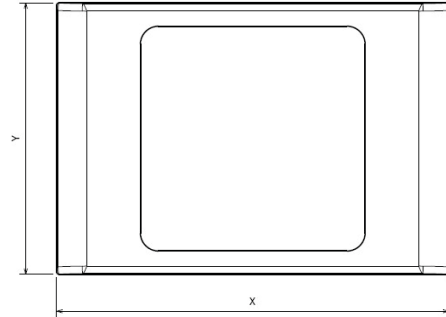
Use of universal supports depending on the trunking covers:

Overall dimensions

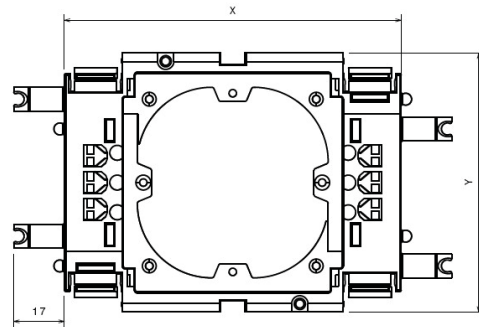
Plate thickness (mm)



Plate



Frame



For 85mm cover:

- Y(mm)= 90 mm width for plates
- Y(mm)= 87 mm width for frames

85 mm cover	2 modules 0 109 13	4 modules 0 109 23	6 modules 0 109 33	8 modules 0 109 43
frame X (mm)	113	184	255	326
plate X (mm)	130	201	272	343

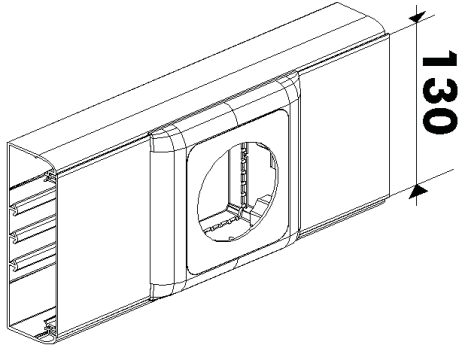
For 130mm cover:

- Y(mm)= 135 mm width for plates
- Y(mm)= 132 mm width for supports

130 mm cover	2 modules 0 109 14	4 modules 0 109 24	6 modules 0 109 34	8 modules 0 109 44
frame X (mm)	113	184	255	326
plate X (mm)	130	201	272	343

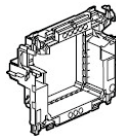
3. WIRING DEVICES SUPPORTS (CONT.)

■ 3.3 Hypra socket support cat. no 0 109 00



Clip-in support supplied with:

- one industrial support for 130 mm cover, grey color



- one industrial finishing plate, white color

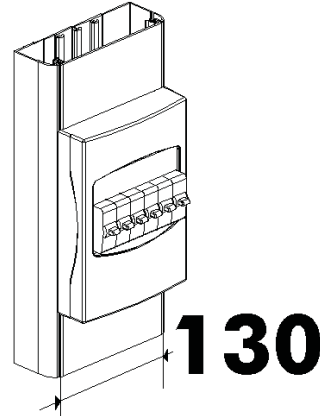


(1 Plate A Ø 54 mm / 1 Plate B Ø 63 mm / 1 Plate C Ø 78 mm)
 4 TC screws, Ø 4 × 20 mm
 8 CS screws, Ø 3 × 19 mm

Enables:

- installation on trunking (fitted with a 130 mm cover) of P17 plastic - industrial sockets, in horizontal or vertical position (see socket overall dimensions in the catalogue).

■ 3.4 Legrand Lexic supports cat. nos 0 109 25/35/65



Vertical installation on trunking for references 0 109 25 / 0 109 35 / 0 109 65.

Grey color supports, clip-in and side-by-side mountable, supplied with a white color plate.

Enable installation on trunking fitted with 65 mm, 85 mm, or 130 mm covers of Lexic circuit breakers, 2 / 3 / 6 modules.

Cover width	Lexic supports cat. nos according to the modules number		
	2	3	6
65 mm	0 109 25	-	-
85 mm	-	0 109 35	-
130 mm	-	-	0 109 65

Overall dimensions:

H = 35.5mm for plate height

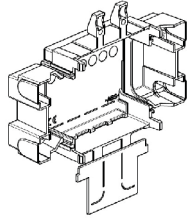
Y = 131mm for plate width

	0 109 25	0 109 35	0 109 65
frame X (mm)	175	175	175
plate X (mm)	185	185	185

3. WIRING DEVICES SUPPORTS (CONT.)

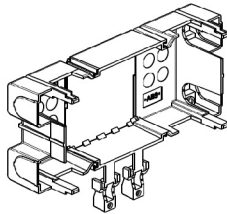
■ 3.5 Insulation boxes

3.5.1 Insulation box cat. no 0 109 17



Single-gang insulation box, stackable for 2-, 3-, and 4-gang supports (enables insulation of the device mechanism inside the trunking).

3.5.2 Insulation box cat. no 0 109 27

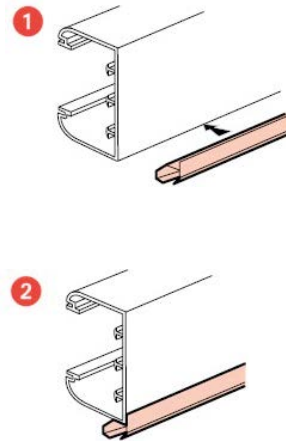
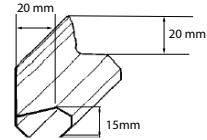


Insulation box for 2-module supports, stackable for 4-, 6-, and 8-module supports (enables insulation of the device mechanism inside the trunking).

4. ADDITIONAL ACCESSOIRES

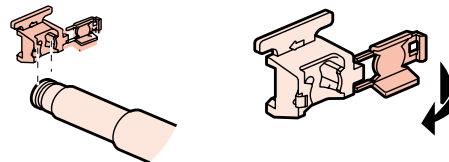
■ 4.1 Height spacer cat. no 0 105 80

Supplied in 2 m lengths, anthracite grey color. Allows the trunking to be used as a skirting trunking.

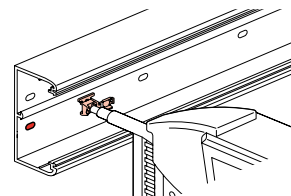


■ 4.2 Spit end cap cat. no 0 106 95

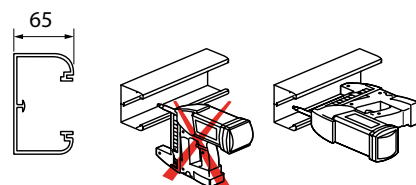
For rapid fixing of the trunking with the Spit Pulsa 700. (use 20mm Spit pins). The adapter features a protective flap that covers the nail after fixing. Fixes directly onto the nose of the Spit Pulsa 700.



For perfect centering of the pin, slide the adapter towards the pad until it locks in place. Simply clip it on and pull.

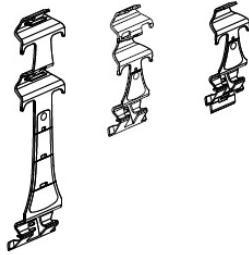


Warning: for fixing at 65 mm height, the tool must be angled.



4. ADDITIONAL ACCESSOIRES (CONT.)

■ 4.3 Clips cat. nos 0 106 86/82/81



Enables:

- to retain the cables inside the trunking
- Assembly of the clip by clipping it inside the body of the trunking.

Cat. nos	Cover width (mm)
0 106 81*	65
0 106 82	40/65/85
0 106 86	130/180

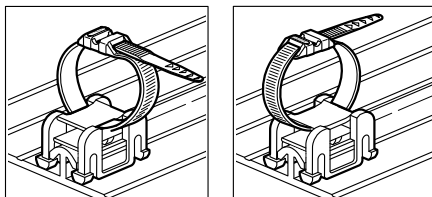
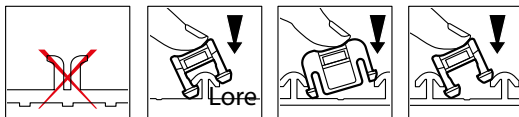
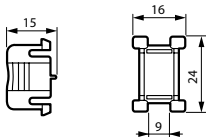
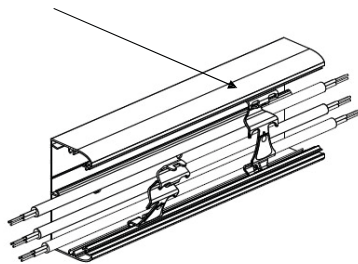
Grey color.

Warning with the use of the cat. no 0 106 81*:

To use only with the trunking ref. 0 104 24 (it is not possible to cut clip cat. no 0 106 82 in position cover 65mm and to assemble it in this one)

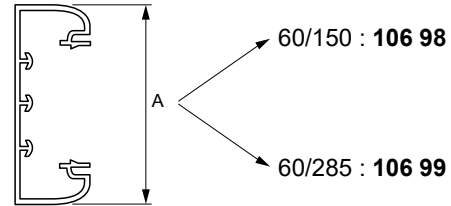
The clip maintains the cables in the trunking at the end of the installation

■ 4.4 Base for cable ties cat. no 0 308 81



For more information concerning cat. no 0 308 81, report to its data sheet.

■ 4.5 Wall feedthroughs cat. no 0 106 98/99

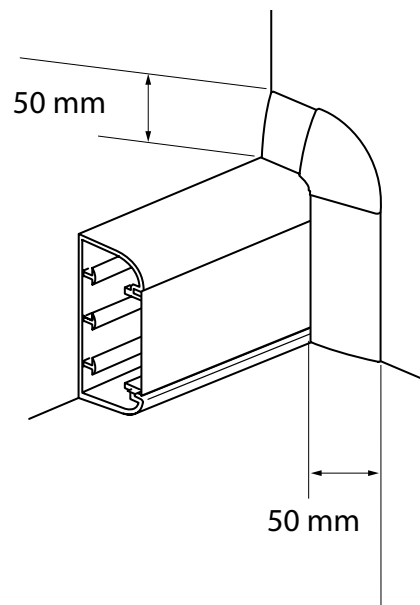


Ensures a clean finish between the trunking and the wall when passing through a partition.

Improves aesthetics (cut edges are covered).

Clip-on installation onto the trunking body.

White color.



4. ADDITIONAL ACCESSOIRES (CONT.)

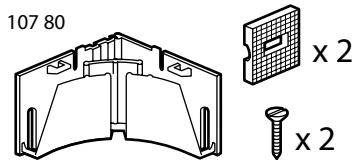
4.6 VDI cable management accessories cat. nos 0 107 80/81/82/83

These accessories complement the standard finishing accessory. They can be fixed in any evolutive trunking (except 35 × 80 trunking, in which the accessory cannot be fixed, and compartments fitted with a 40 mm cover).

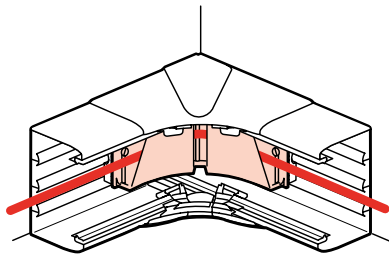
Overlapp dimensions

Cat. nos	Section mm ²	Maxi diameter
0 107 80	580	17
0 107 81	580	17
0 107 82	1120	3x17
0 107 83	490	2x13.5

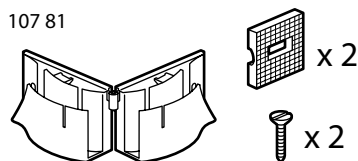
4.6.1 VDI accessory for internal angle cat. no 0 107 80



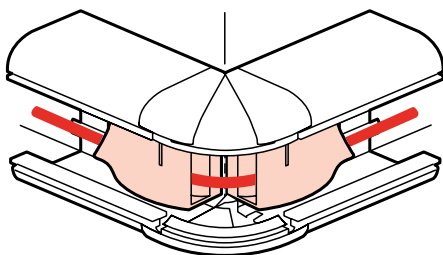
Supplied with 2 supports for fixing to the base of the trunking (on the "T" junction) and 2 screws.



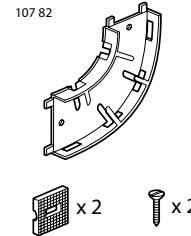
4.6.2 VDI accessory for external angle cat. no 0 107 81



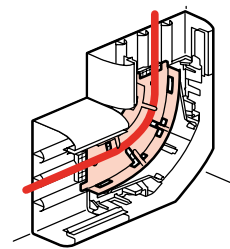
Supplied with 2 supports for fixing to the base of the trunking (on the "T" junction) and 2 screws.



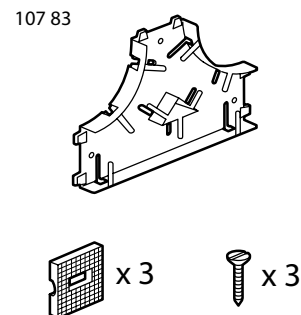
4.6.3 VDI accessory for flat angle cat. no 0 107 82



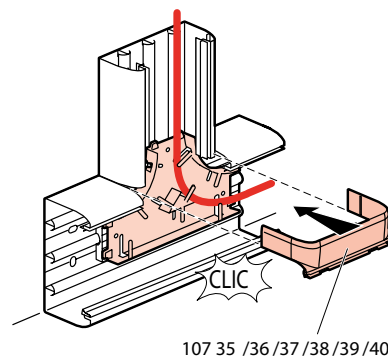
Supplied with 2 supports for fixing to the base of the trunking (on the "T" junction) and 2 screws.



4.6.4 VDI accessory for flat junction cat. no 0 107 83





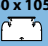


Supplied with 3 supports for fixing to the base of the trunking (on the "T" junction) and 3 screws.



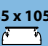
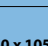

5. TECHNICAL CHARACTERISTICS

5.1 Wiring capacity

65 mm flexible cover universal DLP trunking

Size	Number of compartments	Cover width	Cross section (mm ²)	Capacity	Ø max	Maximum wiring capacity (for a specific conductor type)						
						1.5 mm ²	2.5 mm ²	4 mm ²	6 mm ²	3 x 1.5 mm ²	3 x 2.5 mm ²	Cat. 6 UTP and FTP
35 x 80  Cat.No 0 104 61	1 compartment	65	2240	Max	33	135	100	88	65	19	14	44
			690	With Mosaic and Arteor support	2 x 14	41	31	27	20	6	4	13
			1030	With DIN-rail equipment support	2 x 16	62	46	40	30	9	6	20
50 x 80  Cat.No 0 104 62	1 compartment	65	3340	Max	39	202	150	131	97	29	21	66
			1790	With Mosaic and Arteor support	2 x 18	108	80	70	52	15	11	35
			2130	With DIN-rail equipment support	2 x 24	129	95	84	62	18	13	42
50 x 105  Cat.No 0 104 24	1 compartment	65	4380	Max	2 x 36	265	196	172	127	38	28	87
			2830	With Mosaic and Arteor support	2 x 26	171	127	111	82	25	18	56
			3170	With DIN-rail equipment support	2 x 30	192	142	125	92	28	20	63
50 x 150  Cat.No 0 104 27	2 compartments	65	3060	Max	42	185	137	120	89	27	20	61
			1510	With Mosaic and Arteor support	18	91	67	59	43	13	9	30
			1850	With DIN-rail equipment support	24	112	83	73	53	16	12	36
		65 side	3060	Max	42	185	137	120	89	27	20	61
			1510	With Mosaic and Arteor support	18	91	67	59	43	13	9	30
			1850	With DIN-rail equipment support	24	112	83	73	53	16	12	36
50 x 220  Cat.No 0 104 28	3 compartments	65 center	2770	Max	42	167	124	109	80	24	18	55
			1220	With Mosaic and Arteor support	14	73	54	48	35	10	7	24
			1560	With DIN-rail equipment supports	3 x 16	94	70	61	45	13	10	31
		65 side	3060	Max	42	185	137	120	89	27	20	61
			1510	With Mosaic and Arteor support	18	91	67	59	43	13	9	30
			1850	With DIN-rail equipment support	24	112	83	73	53	16	12	36

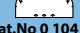
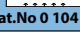
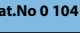

85 mm flexible cover universal DLP trunking

Size	Number of compartments	Cover width	Cross section (mm ²)	Capacity	Ø max	Maximum wiring capacity (for a specific conductor type)						
						1.5 mm ²	2.5 mm ²	4 mm ²	6 mm ²	3 x 1.5 mm ²	3 x 2.5 mm ²	Cat. 6 UTP and FTP
35 x 105  Cat.No 0 104 63	1 compartment	85	2850	Max	33	172	128	112	83	25	18	56
			820	With Mosaic and Arteor support	2 x 16	49	36	32	23	7	5	16
			590	With universal support	2 x 16	35	26	23	17	5	3	11
			980	With DIN-rail equipment support	2 x 16	59	44	38	28	8	6	19
50 x 105  Cat.No 0 104 64	1 compartment	85	4300	Max	42	260	113	169	125	38	28	85
			2270	With Mosaic and Arteor support	2 x 24	137	102	89	66	20	14	45
			1680	With universal support	2 x 16	99	73	64	47	14	10	32
			2430	With DIN-rail equipment support	2 x 21	147	109	95	70	21	15	48
50 x 195  Cat.No 0 104 70	2 compartments	85	3940	Max	42	238	177	155	114	35	25	78
			1910	With Mosaic and Arteor support	26	115	85	75	55	16	12	38
			1280	With universal support	18	77	57	50	37	11	8	25
			2070	With DIN-rail equipment support	24	125	93	81	60	18	13	41
		85	3940	Max	42	238	177	155	114	35	25	78
			1910	With Mosaic and Arteor support	26	115	85	75	55	16	12	38
			1280	With universal support	18	77	57	50	37	11	8	25
			2070	With DIN-rail equipment support	24	125	93	81	60	18	13	41

5. TECHNICAL CHARACTERISTICS (CONT.)

5.1 Wiring capacity (cont.)

Distribution trunking covers 130 & 180 mm

Size	Number of compartments	Cover width	Cross section (mm ²)	Capacity	Ø max	Maximum wiring capacity (for a specific conductor type)						
						1.5 mm ²	2.5 mm ²	4 mm ²	6 mm ²	3 x 1.5 mm ²	3 x 2.5 mm ²	Cat. 6 UTP and FTP
50 x 150  Cat.No 0 104 65	1 compartment	130	6440	Max	2 x 42	390	289	254	187	57	42	128
			2360	With universal support	2 x 30	143	106	93	68	20	15	47
			3200	With DIN-rail equipment support	2 x 20	194	143	126	93	28	20	63
			2440	With Hypra support	2 x 25	147	109	96	71	21	15	48
50 x 195  Cat.No 0 104 69	1 compartment	180	8460	Max	3 x 42	513	380	333	246	75	55	169
65 x 150  Cat.No 0 104 75	1 compartment	130	8200	Max	2 x 55	497	368	323	238	72	53	163
			4120	With universal support	2 x 40	249	185	162	120	36	27	82
			4960	With DIN-rail equipment support	2 x 33	300	223	195	144	44	32	99
			4200	With Hypra support	2 x 28	254	188	165	122	37	27	83
65 x 195  Cat.No 0 104 76	1 compartment	180	11240	Max	3 x 54	681	505	443	327	99	73	224

DLP PVC body thickness:

Body	Bottom	Sides
60x35	1.6	1.6
60x50	1.9	1.9
80x35	1.6	1.6
80x50	1.9	1.9
105x35	1.6	1.6
80x65	2.4	2.4
105x50 cv 65	1.9	1.9
105x50 cv 85	1.9	1.9
105x65	2.4	2.4
150x50	1.9	1.9
150x65	2.6	2.6
195x50	1.9	1.9
195x65	2.6	2.6
220x50	1.9	1.9
220x65	2.6	2.6

DLP PVC trunking & accessories

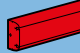

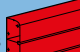
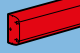
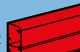
Cat. No(s): 10401/02/11/12/13/14/21/22/23/24/27/28/32/33/42/52/53/59/61/62/63/64/65/69/70/72/73/75/76, 10520/21/22/24/26/80/82/83/84, 10601/02/03/05/06/07/19/21/22/23/35/36/38/39/50/58/81/82/86/90/91/92/95/96/98/99, 10700/01/02/03/04/05/06/07/08/10/11/20/22/31/32/33/35/36/37/38/39/40/42/43/63/64/65/67/71/72/73/74/80/81/82/83/84/85/86/89/90/92/93/95/96/98, 10800/01/02/04/06, 10900/13/14/17/23/24/25/27/33/34/35/43/44/52/54/56/58/65/92/94/96/98/30881

5. TECHNICAL CHARACTERISTICS (CONT.)

Classification for Universal & adaptable DLP trunkings according to Standard EN 50085-2-1.

6.2	Resistance to impact for installation and application	2.0 J
6.3	Minimum storage and transport temperature	- 25 °C
6.3	Minimum installation and application temperature	- 5 °C
6.3	Maximum application temperature	+ 60 °C
6.4	Resistance to flame propagation	Non-flame propagating
6.5	Electrical continuity characteristic	Without electrical continuity characteristic
6.6	Electrical insulating characteristic	With electrical insulating characteristic
6.7	Degrees of protection provided by enclosure	IP 40
6.9	System access cover retention	With a tool
6.101	Position when surface mounted	Wall fixed,
		Ceiling fixed,
		Wall fixed and supported by the floor or other horizontal surface (with cat. no 0 105 80)
6.102	Prevention of contact between liquids and insulated conductors and live parts in case of CTS/CDS mounted in a skirting position and wet-treatment of floor	Instructions restricting the installation position
6.103	The functions provided	Type 2: 0 104 32/33/52/53, type 3: other Cat.Nos
	Rated current	500 V
	Against mechanical shocks	IK 07

Composition and functions of Universal DLP trunkings according to Standard EN 50085-2-1.

Trunking	Number of compartments	Size (mm)	Trunking and accessories					Angles			Flat junction ⁽³⁾		Supports for wiring accessories	Cross-section (mm ²)
			Bodies	Covers	Separation partitions ⁽²⁾	End cap ⁽²⁾	Cover joints	Internal angle ⁽¹⁾ 85 to 95°	External angle ⁽¹⁾ 60 to 120°	Flat angle ⁽¹⁾	To width 80 mm ⁽²⁾	To width 105 mm ⁽²⁾		
Trunking for mounting of devices with support - 65 mm cover														
1		35 x 80	0 104 61 (body and cover complete)	0 105 84	0 107 22	0 108 01	0 106 01	0 106 21	0 107 67	0 107 35	-	(3)	2240	
		50 x 80	0 104 62 (body and cover complete)	0 105 82	0 107 22	0 108 01	0 106 02	0 106 22	0 107 67	0 107 35	-	(3)	3340	
		50 x 105	0 104 24 (body and cover complete)	0 105 82	0 107 00	0 108 01	0 106 05	0 106 19	0 107 86	0 107 39	0 107 40	(3)	4380	
2		50 x 150	0 104 27 (body and cover complete)	0 105 82	0 107 03	2 x 0 108 01	0 106 06	0 106 35	0 107 89	0 107 35	0 107 36 or 0 107 37	(3)	3060/3060	
3		50 x 220	0 104 28 (body and cover complete)	0 105 82	0 107 05	3 x 0 108 01	0 106 50	0 106 38	0 107 95	0 107 35	0 107 36 or 0 107 37	(3)	2 x 3060/2770	
Trunking for mounting of devices with support - 85 mm cover														
1		35 x 105	0 104 63 (body and cover complete)	0 105 82	0 107 01	0 108 02	0 106 01	0 106 21	0 107 84	0 107 35	0 107 36	(4)	2850	
		50 x 105	0 104 64 (body and cover complete)	0 105 82	0 107 02	0 108 02	0 106 02	0 106 22	0 107 85	0 107 35	0 107 36 or 0 107 37	(4)	4300	
2		50 x 195	0 104 70 (body and cover complete)	0 105 82	0 107 11	2 x 0 108 02	0 106 06	0 106 35	0 107 92	0 107 35	0 107 36 or 0 107 37	(4)	3940	

1: Classification and performance are for a mounting at an angle of 90°

2: See mounting and assembling instructions on technical sheets, boxes or on www.export.legrand.com

3: Mosaic supports for wiring accessories, cover width 65 mm: Cat. Nos 0 109 52/54/56/58

4: Universal and Mosaic supports for wiring accessories, cover width 85 mm: Cat. Nos 0 109 13/23/33/43/92/93/94/96/98

Possibility to install fluid conduits (e.g. heating pipes) in a separate compartment (temperature below 60 °C).

Possibility to install gas pipes in a separate trunking.

6. MATERIAL CHARACTERISTICS

The trunkings, covers and partitions are made of PVC white RAL 9003.

Plastic accessories are made of ABS or PVC white RAL 9003.