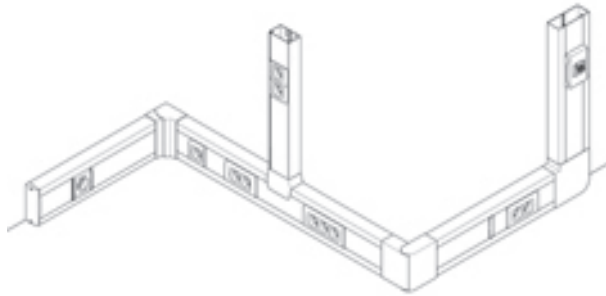


Halogen free mini-trunking & trunking with performances specific to fire

Number(s) : 6 117

06 à 13/15/21/22/23/25/31/32/33/35/41/42/43/45/51/52/53/55/88/8
9/96/97/98/99 - 6 371 00/01/02/03/04/05/06/10/11/12/13/14/15/16 -
6 371 20 - 6 373 11/12/13/14/15/16 - 6 380 05/24/34/44/54



1. USE

Context:

To answer well the key objective of safety in the event of fire is a complex question because the security level is influenced by many factors:

- the choice of the various electric/electronic products installed but also quantities installed.
- the site where these products are installed: the dimension of the room, its ventilation, its use to accommodate many people or to place materials of value or to store flammable materials, the facility for an occupant to evacuate this site or for the first-aid organizations to reach it...
- the nature and quantity of the no electric products in the vicinity.
- the existence or not of average automatics of fire control...

Traditionally, the safety of the people is the priority. The products of cable management must be not propagators of the flame to avoid the propagation of the fire and thus to facilitate the evacuation by the occupants:

- Standard of installation NF C 15-100 (article 421.7): "The conduits, trunkings posed into apparent and the cable shelves must satisfy the characteristics with non-propagation with the flame."
- Its handy guide UTE C 15-520 "Drains - Modes of installation - Connections" (article 3.1.6 Behavior in fire):

"When the drains in buried installation or are not drowned in fireproof materials such as plaster, concrete, equivalent material, they must satisfy the characteristics with not-propagation with the flame defined in the standards in force.

In apparent assembly, the systems of conduits, trunkings, conduit-sections, the cable shelves must satisfy the test with not-propagation with the flame."

For specific applications, the prescriber can take into account additional characteristics.

1. USE (cont.)

Benefit:

Legrand proposes an offer of products with performances specific to fire which facilitate the evacuation of the buildings by the occupants and the intervention of the first-aid organizations: in the event of fire smoke is less opaque and less acid.

In the event of fire, the time of evacuation is a decisive criterion:

- The reduction of opacity increases the visibility of the ways of evacuation by the occupants and of the access paths by the first-aid organizations.
- The reduction of acidity decreases the irritating effects of smoke which harms the sight and breathing.

Applications:

These offers can find their application in the places with requirements specific to fire:

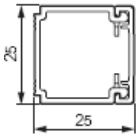
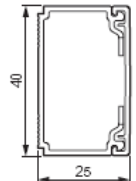
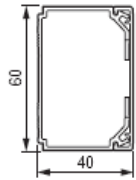
- Establishments Receiving of Public (ERP): Hospital, Old people's homes, Hotels, Schools, Museums, Shopping malls, Cinemas, Administrative buildings...
- Establishments sheltering of the equipment of value: Computer rooms, Cal center
- Stations, Airports, Subway, Tunnels...
- Industries...

Halogen free mini-trunking & trunking with performances specific to fire

Number(s) : 6 117
 06 à 13/15/21/22/23/25/31/32/33/35/41/42/43/45/51/52/53/55/88/8
 9/96/97/98/99 - 6 371 00/01/02/03/04/05/06/10/11/12/13/14/15/16 -
 6 371 20 - 6 373 11/12/13/14/15/16 - 6 380 05/24/34/44/54

2. RANGE

■ 2.1 Halogen free mini-trunking

Sections (mm)	Numbers
 25x25	6 371 00
 25x40	6 371 10
 40x60	6 371 20

Delivered in length of 2m with cover

White Color

Fixing by:

- wall plugs for immediate fixing
- glue
- screw, nails...





Cut out using a saw (standard hacksaw)

For an installation of the mini-trunking sections fixed at the wall and supported by the ground:

The mini-trunking must be installed with 15mm mini of the ground following EN 50085-2-1.

2. RANGE (cont.)

■ 2.2 Halogen free trunking

Compartment nr	Sections (mm)	Numbers
	 50x85	6 117 07
1	 50x100	6 117 10
	 50x130	6 117 08
2	 50x190	6 117 09

Delivered in length of 2m with cover

White Color

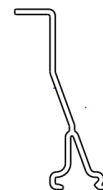
Fixing by:

- wall plugs for immediate fixing
- glue
- screw, nails...

Cut out using a saw (standard hacksaw)

Possible to adapt removable separation partitions .

■ 2.3 Halogen free partition nr 6 117 06



Delivered in length of 2m

White Color

Allows separation of various types of current (power and data)

Snap on "T" which are inside the body of the trunking

Halogen free mini-trunking & trunking with performances specific to fire

Number(s) : 6 117

06 à 13/15/21/22/23/25/31/32/33/35/41/42/43/45/51/52/53/55/88/89/96/97/98/99 - 6 371 00/01/02/03/04/05/06/10/11/12/13/14/15/16 - 6 371 20 - 6 373 11/12/13/14/15/16 - 6 380 05/24/34/44/54

2. RANGE (cont.)

■ 2.4 Finishing accessories for halogen free mini-trunkings

2.4.1 Variable internal angle for mini-trunkings



White color.

The junction in interior angle of two pieces of the same section:

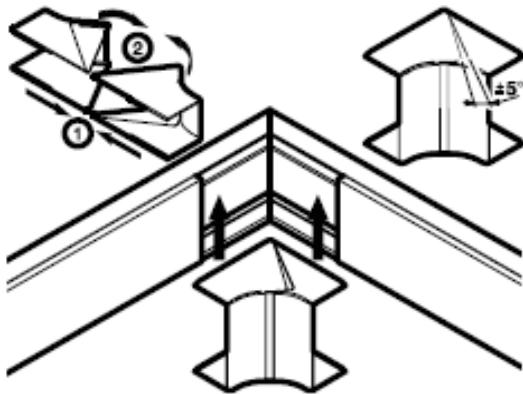
- the cut of miter avoids on the trunking
- respect of the degree protection
- aesthetics improves

Assembly on the body by clip-on.

Variable internal angles of 85 with 95°.

Numbers	Sections
6 371 01	25x25
6 371 11	25x40
6 373 11	40x60

Positioning of the mini-trunking to the wall before clipping the internal angle.



2. RANGE (cont.)

2.4.2 Variable external angle for mini-trunkings



White color.

The junction in exterior angle of two pieces of the same section:

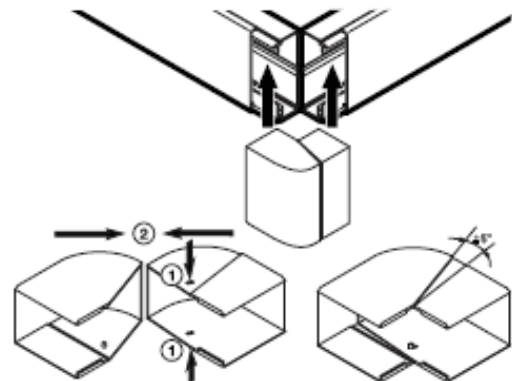
- avoid the cut of miter on the trunking
- respect of the degree protection
- aesthetics improves

Assembly on the body by clip-on.

Variable external angles of 85 with 95°.

Numbers	Sections
6 371 02	25x25
6 371 12	25x40
6 373 12	40x60

Positioning of the mini-trunking to the wall before clipping the external angle.



Halogen free mini-trunking & trunking with performances specific to fire

Number(s) : 6 117
 06 à 13/15/21/22/23/25/31/32/33/35/41/42/43/45/51/52/53/55/88/89/96/97/98/99 - 6 371 00/01/02/03/04/05/06/10/11/12/13/14/15/16 - 6 371 20 - 6 373 11/12/13/14/15/16 - 6 380 05/24/34/44/54

2. RANGE (cont.)

2.4.3 Not variable flat angle for mini-trunkings



White color.

The junction in flat angle of two same sections allows:

- the cut of miter avoids on the trunking
- respect of the degree protection
- aesthetics (covering of the cut) improves

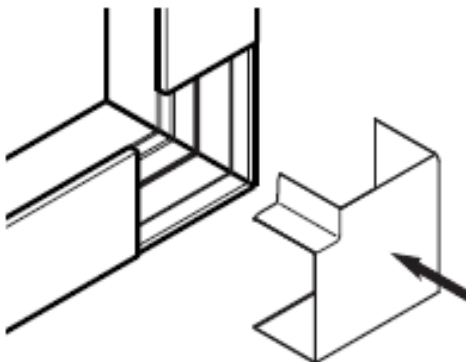
Assembly on the body by clip-on.

Angles not variable (fixes at 90°)

The flat angles are delivered with 1 element.

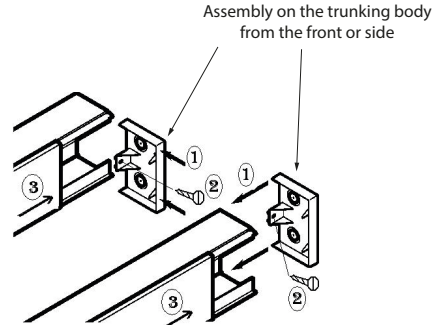
Numbers	Sections
6 371 03	25x25
6 371 13	25x40
6 373 13	40x60

Positioning of the mini-trunking to the wall before clipping the flat angle.



2. RANGE (cont.)

2.4.4 End cap for mini-trunkings



White color.

Allows to block the end of the body:

- respect of the degree protection
- improvement of aesthetics (covering of the cut)
- left or right end cap

Assembly on the body by fitment and screwing.

Possible to fix the end cap with a screw which is not delivered with it.

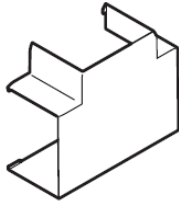
Numbers	Sections
6 371 04	25x25
6 371 14	25x40
6 373 14	40x60

Halogen free mini-trunking & trunking with performances specific to fire

Number(s) : 6 117
 06 à 13/15/21/22/23/25/31/32/33/35/41/42/43/45/51/52/53/55/88/89/96/97/98/99 - 6 371 00/01/02/03/04/05/06/10/11/12/13/14/15/16 - 6 371 20 - 6 373 11/12/13/14/15/16 - 6 380 05/24/34/44/54

2. RANGE (cont.)

2.4.5 Flat junction for mini-trunkings



White color.

The junction in "T" allows.

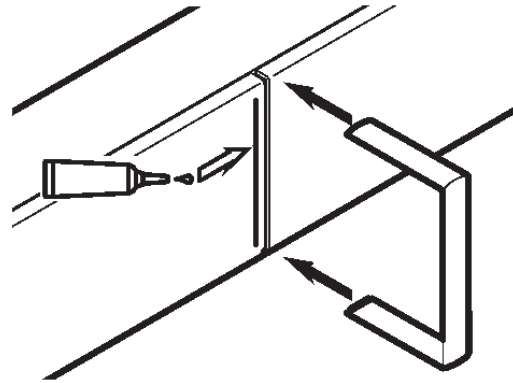
- respect of the degree protection
- aesthetics (covering of the cut) improves

Assembly on the body by clip-on

Numbers	Sections
6 371 06	25x25
6 371 16	25x40
6 373 16	40x60

2. RANGE (cont.)

2.4.6 Body & cover joint for mini-trunkings



White color.

Allows:

- the junction end to end of two mini-trunkings
- respect of the degree protection
- to improve aesthetics (covering of the cut)

Assembly of the joint by clip-on the bottom of the mini-trunking and joining with glue on only 1 cover (glue to use nr 0 309 49, not supplied)

Numbers	Sections
6 371 05	25x25
6 371 15	25x40
6 373 15	40x60

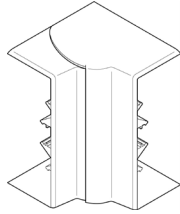
Halogen free mini-trunking & trunking with performances specific to fire

Number(s) : 6 117
 06 à 13/15/21/22/23/25/31/32/33/35/41/42/43/45/51/52/53/55/88/8
 9/96/97/98/99 - 6 371 00/01/02/03/04/05/06/10/11/12/13/14/15/16 -
 6 371 20 - 6 373 11/12/13/14/15/16 - 6 380 05/24/34/44/54

2. RANGE (cont.)

■ 2.5 Finishing accessories for halogen free trunkings

2.5.1 Variable internal angle for trunkings



White color.

The junction in internal angle of two pieces of the same section:

- the cut of miter avoids on the trunking
- respect of the degree protection
- aesthetics improves

The internal angles are delivered with 2 elements

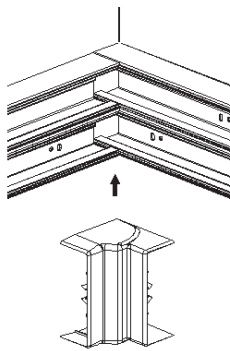
Assembly on the body by clip-on.

Variable internal angles of 80 with 120°.

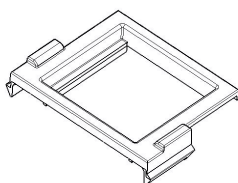
Possible removal of the lower part of the angles for skirting installation

Numbers	Sections
6 117 31	50x85
6 117 32	50x100
6 117 33	50x130
6 117 35	50x190

Positioning of the mini-trunking to the wall before clipping the internal angle

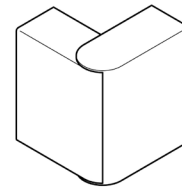


For information, on trunking 85x50, clip-on the adaptor (delivered with) on the two sides inside the angle:



2. RANGE (cont.)

2.5.2 Variable external angle for trunkings



White color.

The junction in external angle of two pieces of the same section:

- avoid the cut of miter on the trunking
- respect of the degree protection
- aesthetics improves

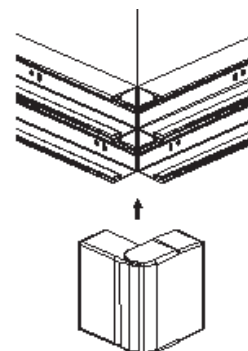
The external angles are delivered with 2 elements

Assembly on the body by clip-on.

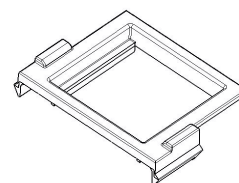
Variable internal angles of 60 with 120°.

Numbers	Sections
6 117 21	50x85
6 117 22	50x100
6 117 23	50x130
6 117 25	50x190

Positioning of the mini-trunking to the wall before clipping the external angle

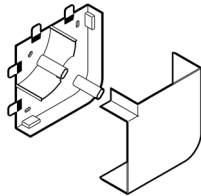


For information, on trunking 85x50, clip-on the adaptor (delivered with) on the two sides inside the angle:



2. RANGE (cont.)

2.5.3 Not variable flat angle for trunkings



White color.

The junction in flat angle of two same sections allows:

- the cut of miter avoids on the trunking
- respect of the degree protection
- aesthetics (covering of the cut) improves

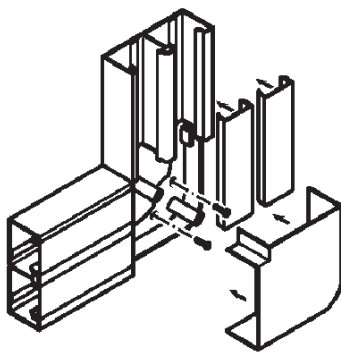
Assembly on the body by clip-on.

Angles not variable (fixes at 90°)

The flat angles are delivered with 2 elements.

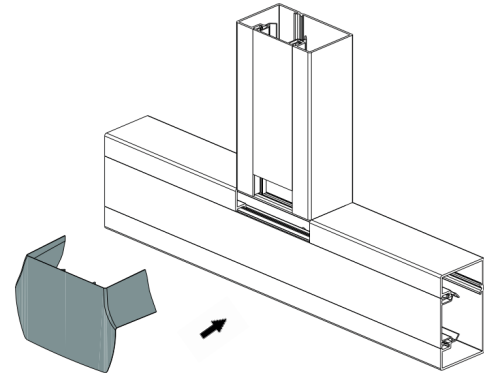
Numbers	Sections
6 117 11	50x85
6 117 12	50x100
6 117 13	50x130
6 117 15	50x190

Positioning of the trunking to the wall before clipping the flat angle



2. RANGE (cont.)

2.5.4 Flat junction



Enables the junction in "T":

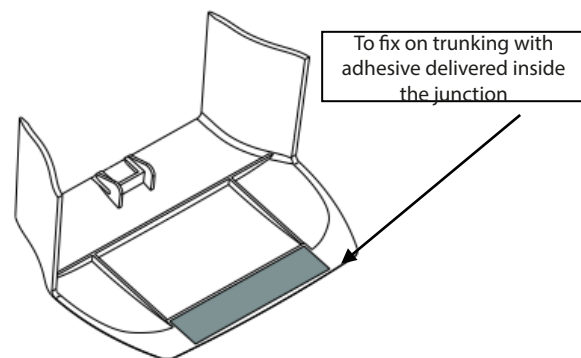
- respects of the degree protection
- improves aesthetics (covering of the cut)

White color

Clip-on on the body

Numbers	Sections
6 380 24	50x85
6 380 34	50x100
6 380 44	50x130
6 380 54	50x190

« T junction » with adhesive for trunking 130 and 190

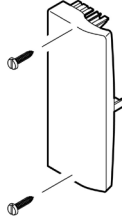


Halogen free mini-trunking & trunking with performances specific to fire

Number(s) : 6 117
 06 à 13/15/21/22/23/25/31/32/33/35/41/42/43/45/51/52/53/55/88/89/96/97/98/99 - 6 371 00/01/02/03/04/05/06/10/11/12/13/14/15/16 - 6 371 20 - 6 373 11/12/13/14/15/16 - 6 380 05/24/34/44/54

2. RANGE (cont.)

2.5.5 End cap for trunkings



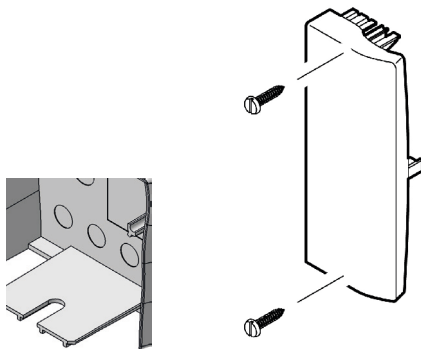
White color.

Allows to block the end of the body:

- respect of the degree protection
- improvement of aesthetics (covering of the cut about 10 mm)
- left or right end cap

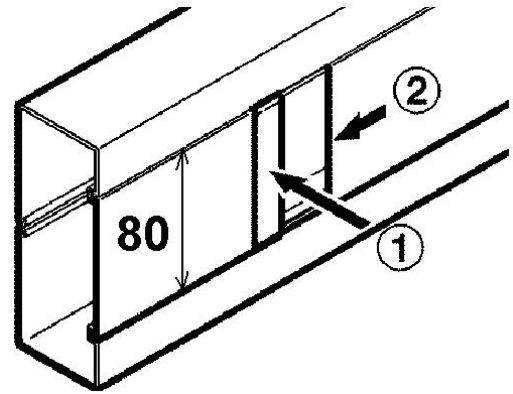
Numbers	Sections
6 117 41	50x85
6 117 42	50x100
6 117 43	50x130
6 117 45	50x190

Assembly on the body by fitment and screwing.
 The end cap is delivered with a screw.



2. RANGE (cont.)

2.5.6 Cover joint nr 6 117 96 for trunkings



White color.

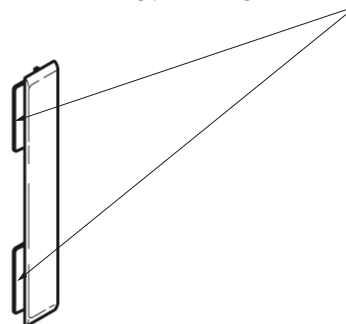
Allows:

- the junction end to end of two covers 80mm
- respect of the degree protection
- to improve aesthetics (covering of the cut)

Assembly of the joint by clip-on

The cover joint slides in position onto the end of a cover, the other side remains available for reopening.

Sliding positioning onto the end of a cover

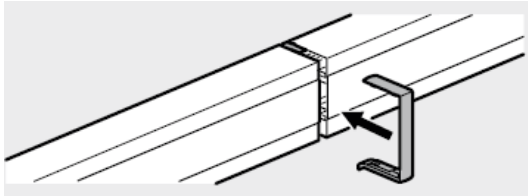


Halogen free mini-trunking & trunking with performances specific to fire

Number(s) : 6 117
 06 à 13/15/21/22/23/25/31/32/33/35/41/42/43/45/51/52/53/55/88/89/96/97/98/99 - 6 371 00/01/02/03/04/05/06/10/11/12/13/14/15/16 - 6 371 20 - 6 373 11/12/13/14/15/16 - 6 380 05/24/34/44/54

2. RANGE (cont.)

2.5.7 Body joint for trunkings



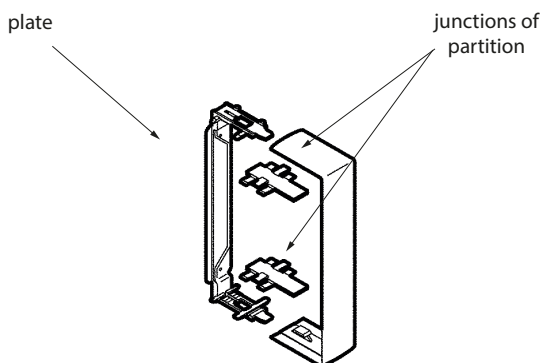
White color.

Allows:

- the junction end to end of two same section
- respect of the degree protection
- to improve aesthetics (covering of the cut)
- the alignment of the bodies under installation

Numbers	Sections
6 117 51	50x85
6 117 52	50x100
6 117 53	50x130
6 117 55	50x190

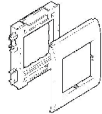
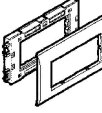
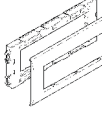
Body joint delivered with plate and junctions of partition if required



2. RANGE (cont.)

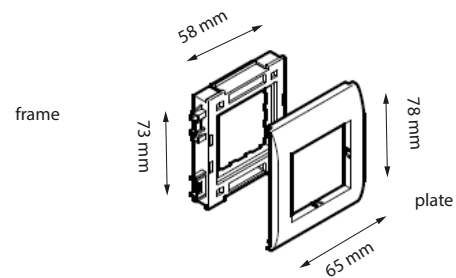
2.6 Wiring devices frames for 80 mm cover

2.6.1 Mosaic frames

Numbers	modules nr
 6 117 97	2 modules
 6 117 98	4 modules
 6 117 99	6 modules

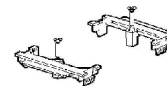
Clip-on and joinable supports

Allows mounting of 45x45 format 2/4/6 module sockets on installation trunking with a cover 80mm



Support-composed of	color	2 modules 6 117 97	4 modules 6 117 98	8 modules 6 117 99
Frame (mm)	grey	58x73	123x73	168x73
Plate (mm)	white	65x78	130x78	175x78

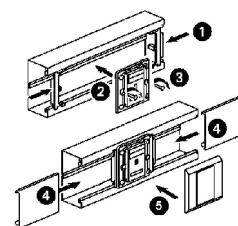
2.6.2 Support standard BS nr 6 380 05



Set of 2 parts (delivered with insert and screws)

White colour

Allows the assembly of Synergy, Mallia, Belanko wiring devices on halogen free trunking with a 80 mm cover



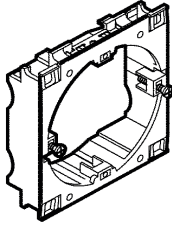
Halogen free mini-trunking & trunking with performances specific to fire

Number(s) : 6 117

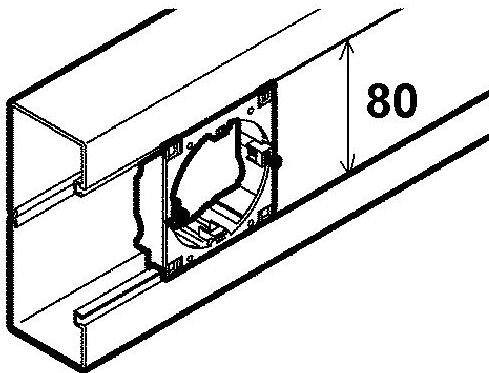
06 à 13/15/21/22/23/25/31/32/33/35/41/42/43/45/51/52/53/55/88/89/96/97/98/99 - 6 371 00/01/02/03/04/05/06/10/11/12/13/14/15/16 - 6 371 20 - 6 373 11/12/13/14/15/16 - 6 380 05/24/34/44/54

2. RANGE (cont.)

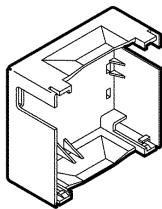
2.6.3 Universal frame for 60mm fixing centre wiring devices nr 6 117 88



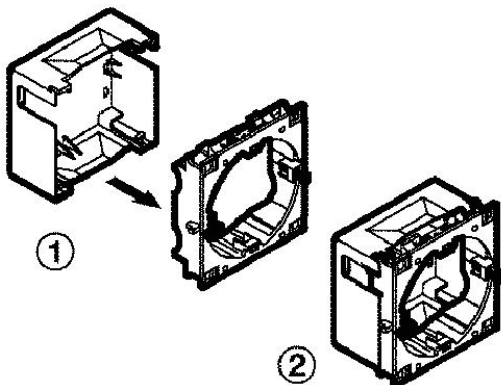
Assembly on trunking equipped with 80 mm cover with any 60mm fixing centres wiring accessories.
Grey color



2.6.4 Back box nr 6 117 89



Used to isolate wiring devices.
To be fixed onto the back of the universal frame for 60 mm fixing centre wiring devices nr 6 117 88.
Grey color



Halogen free mini-trunking & trunking with performances specific to fire

Number(s) : 6 117

06 à 13/15/21/22/23/25/31/32/33/35/41/42/43/45/51/52/53/55/88/8

9/96/97/98/99 - 6 371 00/01/02/03/04/05/06/10/11/12/13/14/15/16 -

6 371 20 - 6 373 11/12/13/14/15/16 - 6 380 05/24/34/44/54

3. TECHNICAL CHARACTERISTICS

Wiring capacity without wiring devices:

Dimensions	Maxi cross section	Maxi diameter	3x1.5mm ²	3x2.5mm ²	UTP & FTP CAT.6
25x25	360	18	4	3	9
25x40	680	18	8	6	18
40x60	1860	29	22	17	50
50x85	3585	40	39	29	146
50x100	4224	40	47	33	172
50x130	5565	40	62	43	228
50x190(2 compart.)	4017/4017	40/40	45/45	29/29	164/164

Capacity with Mosaic wiring devices:

Dimensions	Maxi cross section	Maxi diameter	3x1.5mm ²	3x2.5mm ²	UTP & FTP CAT.6
50x85	1605	15	17	12	65
50x100	2244	15	19	14	44
50x130	3585	30	39	27	147
50x190 (2compart.)	2037/2037	15/15	22/22	15/15	83/83

Classification for trunking with performances specific to fire (standard EN 50085-2-1):

6.2 Resistance to impact for installation and application	2.0J
6.3 Minimum storage and transport temperature	- 25°C
6.3 Minimum installation and application temperature	+ 15°C
6.3 Maximum application temperature	+ 60°C
6.4 Resistance to flame propagation	Non-flame propagating
6.5 Electrical continuity characteristic	Without electrical continuity characteristic
6.6 Electrical insulating characteristic	With electrical insulating characteristic
6.7 Degrees of protection provided by enclosure	IP 30D (please look on the board outside)
6.9 The system access cover retention	With a tool
6.101 The position when surface mounted	Wall fixed
6.102 The functions provided	Type 1 or 2 please look on the board outside
Rated voltage	500 V
Against mechanical shocks	IK 07

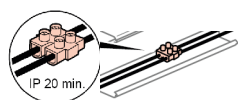
Compositions and fonctions for trunking with performances specific to fire:

Numbers	Dimensions	Body joint	Internal angle (1)	External angle (1)	Flat angle (1)	End cap	Cover joint	Junction	Type and IP
6 371 00	25x25	6 371 05	6 371 01	6 371 02	6 371 03	6 371 04	6 371 05	6 371 06	2 / IP30-D
6 371 10	25x40	6 371 15	6 371 11	6 371 12	6 371 13	6 371 14	6 371 15	6 371 16	2 / IP30-D
6 371 20	40x60	6 373 15	6 373 11	6 373 12	6 373 13	6 373 14	6 373 15	6 373 16	2 / IP30-D
6 117 07	50x85	6 117 51	6 117 31	6 117 21	6 117 11	6 117 41	6 117 96	6 380 24	1 / IP30-D
6 117 10	50x100	6 117 52	6 117 32	6 117 22	6 117 12	6 117 42	6 117 96	6 380 34	1 / IP30-D
6 117 08	50x130	6 117 53	6 117 33	6 117 23	6 117 13	6 117 43	6 117 96	6 380 44	1 / IP30-D
6 117 09	50x190(2c)	6 117 55	6 117 35	6 117 25	6 117 15	6 117 45	6 117 96	6 380 54	1 / IP30-D

(1) Classification and the performances are declared for an assembly with 90°

For your information, (2c) = 2 compartments

Attention with use of conductors inside the sections



Inside the mini-trunkings, connection of the conductors using "domino" to respect the IP 20 mini.

Halogen free mini-trunking & trunking with performances specific to fire

Number(s): 6 117

06 à 13/15/21/22/23/25/31/32/33/35/41/42/43/45/51/52/53/55/88/8
9/96/97/98/99 - 6 371 00/01/02/03/04/05/06/10/11/12/13/14/15/16 -
6 371 20 - 6 373 11/12/13/14/15/16 - 6 380 05/24/34/44/54

4. MATERIAL CHARACTERISTICS

Trunking and partition => PC ABS, conform to the Directive RoHS*

Accessories => ABS conform to the Directive RoHS*

*RoHS designation : Restriction of the use of certain Hazardous Substances, RoHS in the Equipements Electriques and Electroniques (EEE)

Halogen free materials according to standard NF EN 50642