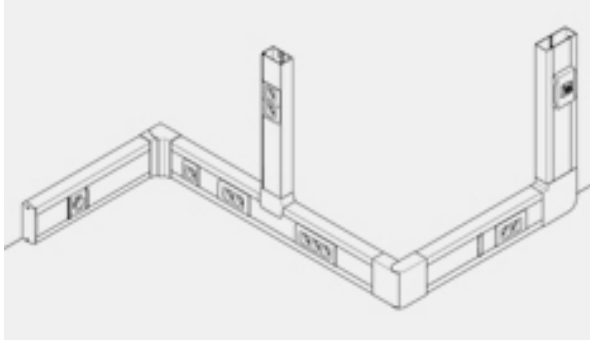


## Trunking HF with performances specific to fire: “Low-Fire Hazard”

Number(s) : 6 117  
06/07/08/09/10/11/13/15/21/23/25/31/33/35/41/43/45/51/53/55/88/89/96/97/98/99 - 6 371 00/01/02/03/04/05/06/10/11/12/13/14/15/16 - 6 371 20 - 6 373 11/12/13/14/15/16 – 6 380 05/31/32/33/35/36



CONTENTS	PAGES
1.Trunking	1 to 2
2.Finishing accessories	3 to 8
3.Supports	9
4.Technical characteristics	10
5.Material characteristics	10

### 1. TRUNKING.

#### Context:

To answer well the key objective of safety in the event of fire is a complex question because the security level is influenced by many factors:

- the choice of the various electric/electronic products installed but also quantities installed.
- the site where these products are installed: the dimension of the room, its ventilation, its use to accommodate many people or to place materials of value or to store flammable materials, the facility for an occupant to evacuate this site or for the first-aid organizations to reach it...
- the nature and quantity of the no electric products in the vicinity.
- the existence or not of average automatics of fire control...

Traditionally, the safety of the people is the priority. The products of cable management must be not propagators of the flame to avoid the propagation of the fire and thus to facilitate the evacuation by the occupants:

- Standard of installation NF C 15-100 (article 421.7): “The conduits, trunkings posed into apparent and the cable shelves must satisfy the characteristics with non-propagation with the flame. ”
- Its handy guide UTE C 15-520 “Drains - Modes of installation - Connections” (article 3.1.6 Behavior in fire):

“When the drains in buried installation or are not drowned in fireproof materials such as plaster, concrete, equivalent material, they must satisfy the characteristics with not-propagation with the flame defined in the standards in force.

In apparent assembly, the systems of conduits, trunkings, conduit-sections, the cable shelves must satisfy the test with not-propagation with the flame. ”

For specific applications, the prescriber can take into account additional characteristics.

### 1. TRUNKING (cont.)

#### Benefit:

Legrand proposes an offer of products with performances specific to fire which facilitate the evacuation of the buildings by the occupants and the intervention of the first-aid organizations: in the event of fire smoke is less opaque and less acid.

In the event of fire, the time of evacuation is a decisive criterion:

- The reduction of opacity increases the visibility of the ways of evacuation by the occupants and of the access paths by the first-aid organizations.
- The reduction of acidity decreases the irritating effects of smoke which harms the sight and breathing.

#### Applications:

These offers can find their application in the places with requirements specific to fire:

- Establishments Receiving of Public (ERP): Hospital, Old people's homes, Hotels, Schools, Museums, Shopping malls, Cinemas, Administrative buildings...
- Establishments sheltering of the equipment of value: Computer rooms, Cal center
- Stations, Airports, Subway, Tunnels...
- Industries...

# Trunking HF with performances specific to fire: "Low-Fire Hazard"

Number(s) : 6 117  
 06/07/08/09/10/11/13/15/21/23/25/31/33/35/41/43/45/51/53/55/88/8  
 9/96/97/98/99 - 6 371 00/01/02/03/04/05/06/10/11/12/13/14/15/16 -  
 6 371 20 - 6 373 11/12/13/14/15/16 - 6 380 05/31/32/33/35/36

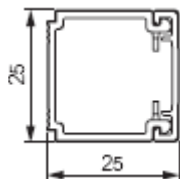
## 1. TRUNKING (cont.)

### 1.1. Mini-trunking HF

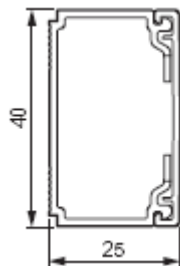
Mini-trunkings	Sections	Pack
6 371 00	25x25	100m
6 371 10	25x40	60m
6 371 20	40x60	24m

Range :

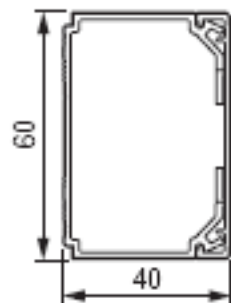
Mini-trunking 25x25 ref 6 371 00



Mini-trunking 25x40 ref 6 371 10



Mini-trunking 40x60 ref 6 371 20



Delivered in length of 2m with cover  
 White Color

Fixing by:

- wall plugs for immediate fixing
- glue
- screw, nails...

Cut out using a saw (standard hacksaw)

For an installation of the mini-trunking sections fixed at the wall and supported by the ground:  
 The mini-trunking must be installed with 15mm mini of the ground following EN 50085-2-1.

## 1. TRUNKING (cont.)

### 1.2. Trunking HF

Trunkings	Sections	Pack
6 117 07	50x85	24m
6 117 08	50x130	12m
6 117 10	50x100	16m
6 117 09	50x190	12m

Range :

50x85 (1 compartment) ref 6 117 07



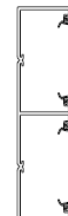
50x100 (1 compartment) ref 6 117 10



50x130 (1 compartment) ref 6 117 08



50x190 (2 compartments) ref 6 117 09



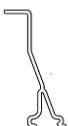
Delivered in length of 2m with cover  
 White Color

Fixing by:

- wall plugs for immediate fixing
- glue
- screw, nails...

Cut out using a saw (standard hacksaw)

### 1.3. Partition HF ref. 6 117 06



Delivered in length of 2m  
 White Color

Allows separation of various types of current (high, low and data)  
 Snap on "T" which are inside the body of the trunking

Packaging : 72 m

# Trunking HF with performances specific to fire: "Low-Fire Hazard"

Number(s) : 6 117  
 06/07/08/09/10/11/13/15/21/23/25/31/33/35/41/43/45/51/53/55/88/8  
 9/96/97/98/99 - 6 371 00/01/02/03/04/05/06/10/11/12/13/14/15/16 -  
 6 371 20 - 6 373 11/12/13/14/15/16 - 6 380 05/31/32/33/35/36

## 2. FINISHING ACCESSORIES.

2.1. Internal angle ref 6371 01/11 et 6 373 11 for mini-trunkings



White color.

The junction in interior angle of two pieces of the same section:

- the cut of miter avoids on the trunking
- respect of the degree protection
- aesthetics improves

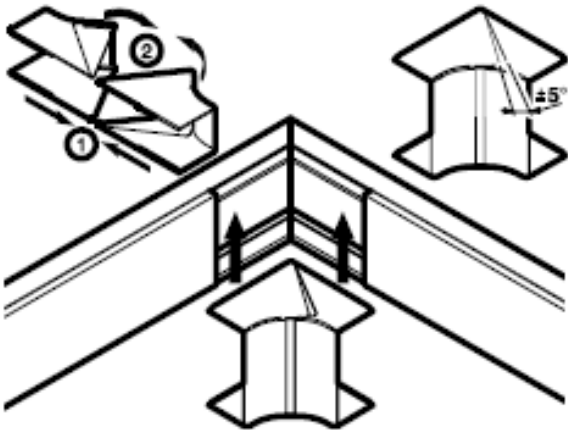
Assembly on the body by clipsage.

Variable internal angles of 85 with 95°.

Table of choice:

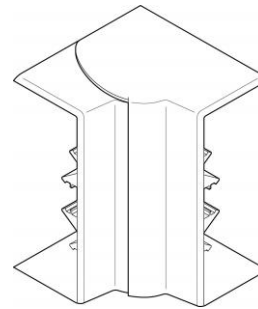
Internal angle	Sections	Pack
6 371 01	25x25	5
6 371 11	25x40	5
6 373 11	40x60	5

Positioning of the mini-trunking to the wall before clipsage of the internal angle



## 2. FINISHING ACCESSORIES (suite)

2.2. Internal angle ref 6 117 31/33/35 for trunkings



White color.

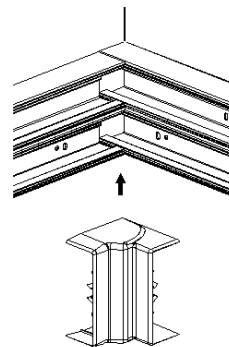
The junction in interior angle of two pieces of the same section:

- the cut of miter avoids on the trunking
- respect of the degree protection
- aesthetics improves

The internal angles are delivered with 2 elements

Assembly on the body by clipsage.

Variable internal angles of 80 with 120°.

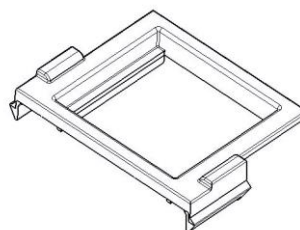


Positioning of the trunking to the wall before clipsage of the internal angle

Table of choice:

Internal angle	Sections	Pack
6 117 31	50x85	5
6 380 31	50x100	10
6 117 33	50x130	5
6 117 35	50x190	5

For information, use of the trunking 85x50, clic the adaptor (delivered with) on the two sides inside the angle:



# Trunking HF with performances specific to fire: "Low-Fire Hazard"

Number(s) : 6 117  
 06/07/08/09/10/11/13/15/21/23/25/31/33/35/41/43/45/51/53/55/88/8  
 9/96/97/98/99 - 6 371 00/01/02/03/04/05/06/10/11/12/13/14/15/16 -  
 6 371 20 - 6 373 11/12/13/14/15/16 - 6 380 05/31/32/33/35/36

## 2. FINISHING ACCESSORIES (suite)

2.3. External angle ref 6 371 02/12 et 6 373 12 for mini-trunkings



White color.

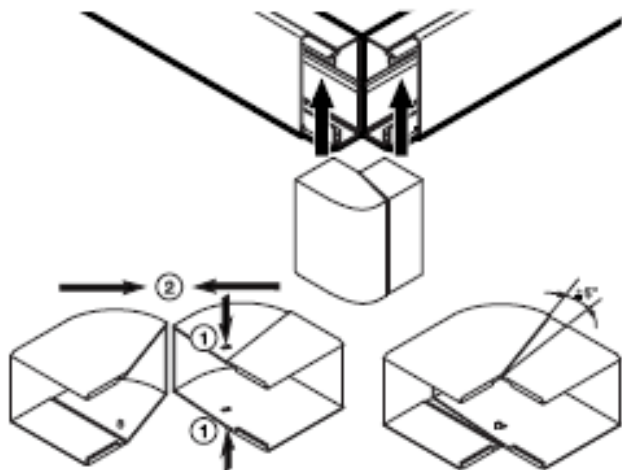
The junction in exterior angle of two pieces of the same section:  
 - avoid the cut of miter on the trunking  
 - respect of the degree protection  
 - aesthetics improves

Assembly on the body by clipsage.  
 Variable external angles of 85 with 95°.

Table of choice:

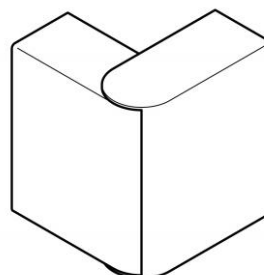
External angle	Sections	Pack
6 371 02	25x25	5
6 371 12	25x40	5
6 373 12	40x60	5

Positioning of the mini-trunking to the wall before clipsage of the external angle



## 2. FINISHING ACCESSORIES (suite)

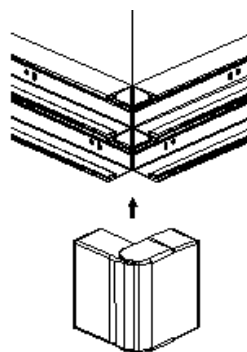
2.4 External angle ref 6 117 21/23/25 for trunkings



White color.

The junction in interior angle of two pieces of the same section:  
 - avoid the cut of miter on the trunking  
 - respect of the degree protection  
 - aesthetics improves

The external angles are delivered with 2 elements  
 Assembly on the body by clipsage.  
 Variable internal angles of 60 with 120°.

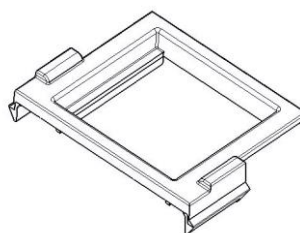


Positioning of the trunking to the wall before clipsage of the external angle

Table of choice:

External angle	Sections	Pack
6 117 21	50x85	5
6 380 32	50x100	10
6 117 23	50x130	5
6 117 25	50x190	5

For information, use of the trunking 85x50, clic the adaptor (delivered with) on the two sides inside the angle:

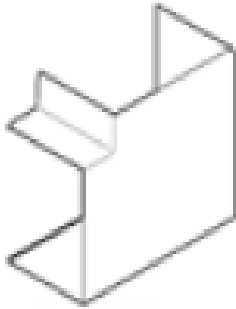


# Trunking HF with performances specific to fire: "Low-Fire Hazard"

Number(s) : 6 117  
 06/07/08/09/10/11/13/15/21/23/25/31/33/35/41/43/45/51/53/55/88/8  
 9/96/97/98/99 - 6 371 00/01/02/03/04/05/06/10/11/12/13/14/15/16 -  
 6 371 20 - 6 373 11/12/13/14/15/16 – 6 380 05/31/32/33/35/36

## 2. FINISHING ACCESSORIES (suite)

2.5. Flat angle ref. 6 371 03/13 et 6 373 13 for mini-trunkings



White color.

The junction in flat angle of two same sections allows:

- the cut of miter avoids on the trunking
- respect of the degree protection
- aesthetics (covering of the cut) improves

Assembly on the body by clipsage.

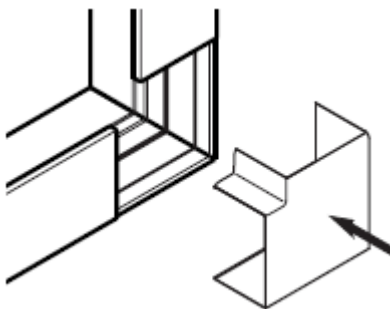
Angles not variable (fixes at 90°)

The flat angles are delivered with 1 element.

Table of choice:

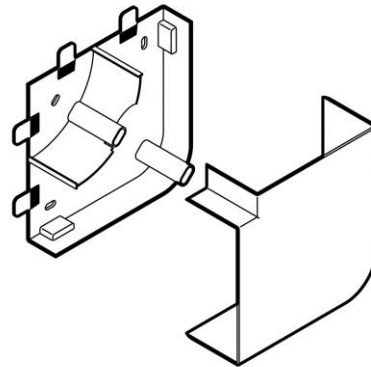
Flat angle	Sections	Pack
6 371 03	25x25	5
6 371 13	25x40	5
6 373 13	40x60	5

Positioning of the mini-trunking to the wall before clipsage of the flat angle



## 2. FINISHING ACCESSORIES (suite)

2.6 Flat angle ref. 6 117 11/13/15 for trunkings



White color.

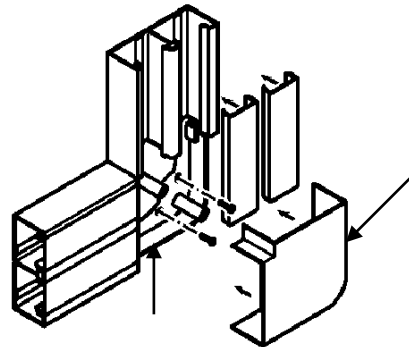
The junction in flat angle of two same sections allows:

- the cut of miter avoids on the trunking
- respect of the degree protection
- aesthetics (covering of the cut) improves

Assembly on the body by clipsage.

Angles not variable (fixes at 90°)

The flat angles are delivered with 2 elements.



Positioning of the trunking to the wall before clipsage of the flat angle

Table of choice:

Flat angle	Sections	Pack
6 117 11	50x85	5
6 380 33	50x100	10
6 117 13	50x130	5
6 117 15	50x190	5

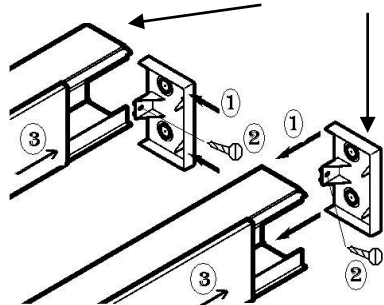
# Trunking HF with performances specific to fire: "Low-Fire Hazard"

Number(s) : 6 117  
 06/07/08/09/10/11/13/15/21/23/25/31/33/35/41/43/45/51/53/55/88/8  
 9/96/97/98/99 - 6 371 00/01/02/03/04/05/06/10/11/12/13/14/15/16 -  
 6 371 20 - 6 373 11/12/13/14/15/16 - 6 380 05/31/32/33/35/36

## 2. FINISHING ACCESSORIES (suite)

2.7. End cap ref 6 371 04/14 et 6 373 14 for mini-trunkings

Assembly on the body by the front or by the side



White color.

Allows to block the end of the body:

- respect of the degree protection
- improvement of aesthetics (covering of the cut)
- left or right end cap

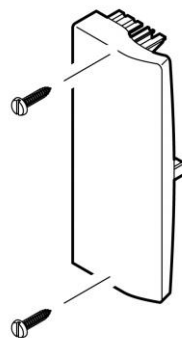
Assembly on the body by fitment and screwing.  
 The end cap is not delivered with a screw.

Table of choice:

End cap	Sections	Pack
6 371 04	25x25	10
6 371 14	25x40	10
6 373 14	40x60	10

## 2. FINISHING ACCESSORIES (suite)

2.8. End cap ref 6 117 41/43/45 for trunkings



White color.

Allows to block the end of the body:

- respect of the degree protection
- improvement of aesthetics (covering of the cut)
- left or right end cap

Assembly on the body by fitment and screwing.  
 The end cap is delivered with a screw.

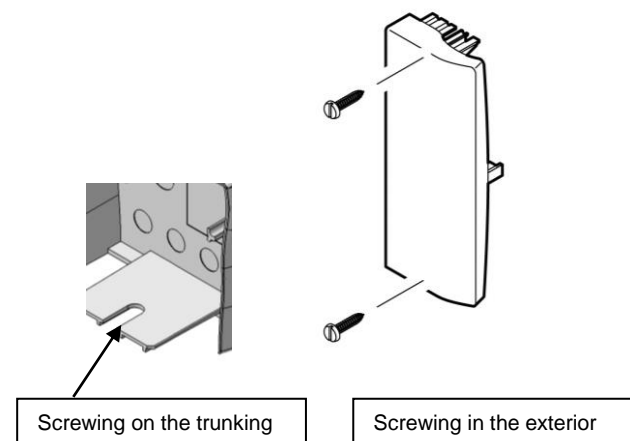


Table of choice:

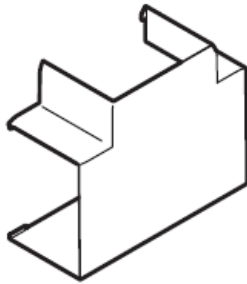
End cap	Sections	Pack
6 117 41	50x85	10
6 380 35	50x100	10
6 117 43	50x130	10
6 117 45	50x190	10

# Trunking HF with performances specific to fire: "Low-Fire Hazard"

Number(s) : 6 117  
 06/07/08/09/10/11/13/15/21/23/25/31/33/35/41/43/45/51/53/55/88/8  
 9/96/97/98/99 - 6 371 00/01/02/03/04/05/06/10/11/12/13/14/15/16 -  
 6 371 20 - 6 373 11/12/13/14/15/16 - 6 380 05/31/32/33/35/36

## 2. FINISHING ACCESSORIES (suite)

2.9. Flat junction ref 6 371 06/16 et 6 373 16 for mini-trunkings



White color.

The junction in "T" allows.

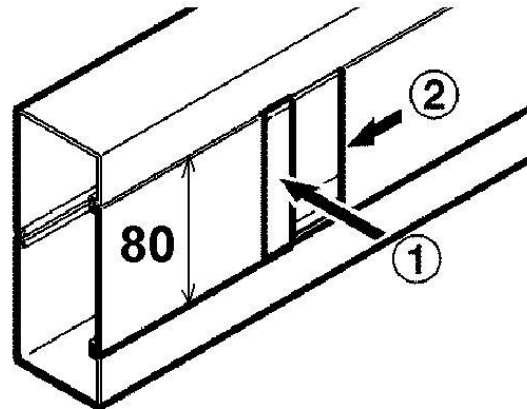
- respect of the degree protection
  - aesthetics (covering of the cut) improves
- Assembly on the body by clipsage

Table of choice:

Flat junction	Sections	Pack
6 371 06	25x25	5
6371 16	25x40	5
6 373 16	40x60	5

## 2. FINISHING ACCESSORIES (suite)

2.10 Cover joint ref 6 117 96 for trunkings

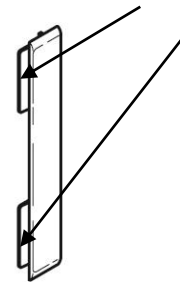


White color.

Allows:

- the junction end to end of two covers 80mm
  - respect of the degree protection
  - to improve aesthetics (covering of the cut)
- Assembly of the joint by clipsage

Assembly of the cover joint with cover



The cover joint slips and positions on the end of a lid, the other side remains available for reopening

Table of choice:

Cover joint	Sections	Pack
6 117 96	Couvercle 80	20

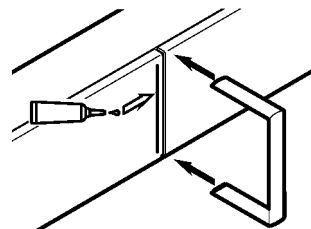
# Trunking HF with performances specific to fire: "Low-Fire Hazard"

Number(s) : 6 117  
 06/07/08/09/10/11/13/15/21/23/25/31/33/35/41/43/45/51/53/55/88/8  
 9/96/97/98/99 - 6 371 00/01/02/03/04/05/06/10/11/12/13/14/15/16 -  
 6 371 20 - 6 373 11/12/13/14/15/16 – 6 380 05/31/32/33/35/36

## 2. FINISHING ACCESSORIES (suite)

2.11. Cover/body joint ref 6 371 05/15 et 6 373 15 for mini-trunkings

Assembly of the joint by clipsage on the bottom of the mini-trunking and joining with glue on 1 only cover (not provided glue)



White color.

Allows:

- the junction end to end of two mini-trunkings
- respect of the degree protection
- to improve aesthetics (covering of the cut)

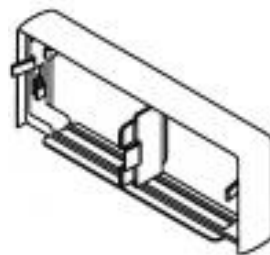
Assembly of the mini-trunking by clipsage

Table of choice:

Cover/body joint	Sections	Pack
6 371 05	25x25	10
6 371 15	25x40	10
6 373 15	40x60	10

## 2. FINISHING ACCESSORIES (suite)

2.12 Body joint ref 6 117 51/53/55 for trunkings



White color.

Allows:

- the junction end to end of two same section
- respect of the degree protection
- to improve aesthetics (covering of the cut)
- the alignment of the bodies under installation

Body joint delivered with platinum and junction of partition if need be

Table of choice:

Body joint	Sections	Pack
6 117 51	50x85	10
6 380 36	50x100	20
6 117 53	50x130	10
6 117 55	50x190	10

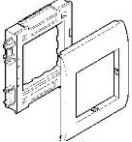
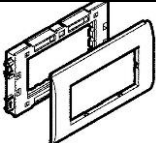
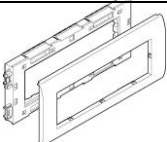


# Trunking HF with performances specific to fire: "Low-Fire Hazard"

Number(s) : 6 117  
 06/07/08/09/10/11/13/15/21/23/25/31/33/35/41/43/45/51/53/55/88/8  
 9/96/97/98/99 - 6 371 00/01/02/03/04/05/06/10/11/12/13/14/15/16 -  
 6 371 20 - 6 373 11/12/13/14/15/16 – 6 380 05/31/32/33/35/36

## 3. SUPPORTS

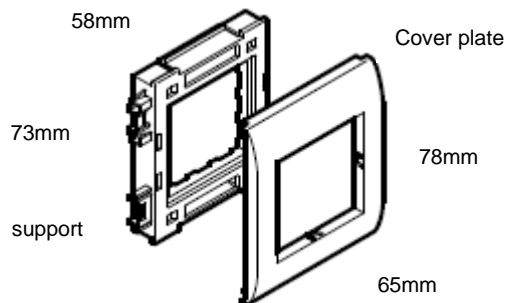
### 3.1 Supports for Mosaic ref 6 117 97/98/99

	Ref 6 117 97 – 2 modules Pack = 10
	Ref 6 117 98 – 4 modules Pack = 5
	Ref 6 117 99 – 6 modules Pack = 5

Snap-on supports and possible to put them next to each other, delivered with cover plate.

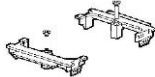
Assembly on trunking equipped with cover 80mm with equipment Mosaic for trunking of 2/4/6 modules.

Dimensions of supports :



	2 mod. 6 117 97	4 mod. 6 117 98	6 mod. 6 117 99
Support (mm)	58x73	123x73	168x73
Cover plate (mm)	65x78	130x78	175x78

### 3.2 British standard Frame ref. 6 380 05



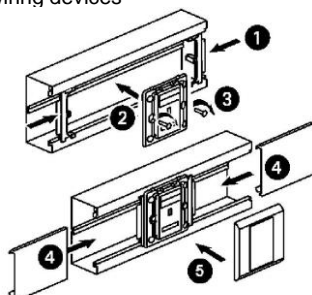
Set of 2 parts (delivered with insert and screws)

White colour

Packaging : 10

Allows :

- the assembly on trunking HF Universal (80 mm cover) of Synergy, Mallia, Belanko wiring devices



## 3. SUPPORTS (cont.)

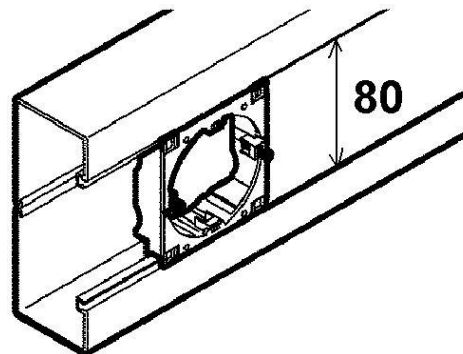
### 3.3 Universal supports ref. 6 117 88/89



- Universal support 60 réf 6 117 88

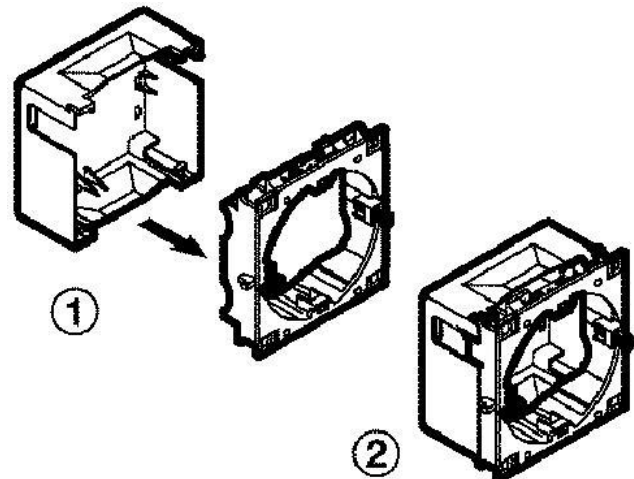
Assembly on trunking equipped with cover 80mm with any 60mm fixing centres wiring accessories.

Dimensions of supports :



Grey color  
Packaging : 5

- Back box réf 6 117 89



Grey color  
Packaging : 5

Allows to isolate equipment while clipsant itself with the back from the framework of fixing equipment distance between centres 60 ref. 6 117 88

# Trunking HF with performances specific to fire: "Low-Fire Hazard"

Number(s) : 6 117  
 06/07/08/09/10/11/13/15/21/23/25/31/33/35/41/43/45/51/53/55/88/8  
 9/96/97/98/99 - 6 371 00/01/02/03/04/05/06/10/11/12/13/14/15/16 -  
 6 371 20 - 6 373 11/12/13/14/15/16 - 6 380 05/31/32/33/35/36

## 4. TECHNICAL CHARACTERISTICS

Wiring capacity:

Dimensions	Cross section Maxi	Diamètre maxi	3x1.5mm <sup>2</sup>	3x2.5mm <sup>2</sup>	UTP & FTP CAT.6
25x25	360	18	4	3	9
25x40	680	18	8	6	18
40x60	1860	29	22	17	50
50x85	3585	40	39	29	146
50x100	4224	40	47	33	172
50x130	5565	40	62	43	228
50x190(2 compart)	4017/4017	40/40	45/45	29/29	164/164

Capacity with Mosaic support:

Dimensions	Cross section Maxi	Diamètre maxi	3x1.5mm <sup>2</sup>	3x2.5mm <sup>2</sup>	UTP & FTP CAT.6
50x85	1605	15	17	12	65
50x100	2244	15	19	14	44
50x130	3585	30	39	27	147
50x190(2 compart)	2037/2037	15/15	22/22	15/15	83/83

Classification for trunking with performances specific to fire (standard EN 50085-2-1)

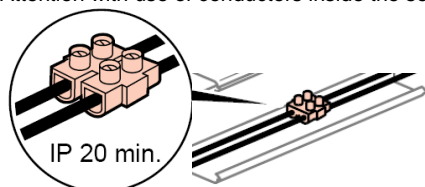
6.2 Resistance to impact for installation and application	2.0J
6.3 Minimum storage and transport temperature	- 25°C
6.3 Minimum installation and application temperature	+ 15°C
6.3 Maximum application temperature	+ 60°C
6.4 Resistance to flame propagation	Non-flame propagating
6.5 Electrical continuity characteristic	Without electrical continuity characteristic
6.6 Electrical insulating characteristic	With electrical insulating characteristic
6.7 Degrees of protection provided by enclosure	IP 3XD please look on the board outside
6.9 The system access cover retention	With a tool
6.101 The position when surface mounted	Wall fixed
6.102 The functions provided	Type 1 or 2 please look on the board outside
Rated voltage	500 V
Against mechanical shocks	IK 07

Compositions and fonctions for trunking with performances specific to fire.

Dimension	Trunking	Body Joint	AI (1)	AE (1)	AP (1)	End cap	Cover Joint	Té	Type and IP
6 371 00	25x25	6 371 05	6 371 01	6 371 02	6 371 03	6 371 04	6 371 05	6 371 06	2 / IP30-D
6 371 10	25x40	6 371 15	6 371 11	6 371 12	6 371 13	6 371 14	6 371 15	6 371 16	2 / IP30-D
6 371 20	40x60	6 373 15	6 373 11	6 373 12	6 373 13	6 373 14	6 373 15	6 373 16	2 / IP30-D
6 117 07	50x85	6 117 51	6 117 31	6 117 21	6 117 11	6 117 41	6 117 96	-	1 / IP30-D
6 117 10	50x100	6 380 36	6 380 31	6 380 32	6 380 33	6 380 35	6 117 96	-	1 / IP30-D
6 117 08	50x130	6 117 53	6 117 33	6 117 23	6 117 13	6 117 43	6 117 96	-	1 / IP30-D
6 117 09	50x190(2c)	6 117 55	6 117 35	6 117 25	6 117 15	6 117 45	6 117 96	-	1 / IP30-D

(1) Classification and the performances are declared for an assembly with 90°  
 For your information, (2c) = 2 compartments

Attention with use of conductors inside the sections



Inside the mini-trunkings, connection of the conductors using "domino" to respect the IP 20 mini.

## 5. MATERIAL CHARACTERISTICS.

Trunking and partition => PC ABS, conform to the Directive RoHS\*

Accessories => ABS conform to the Directive RoHS\*

\*RoHS designation : Restriction of the use of certain Hazardous Substances, RoHS in the Equipements Electriques and Electroniques (EEE)

Halogen free materials according to standard NF EN 50642