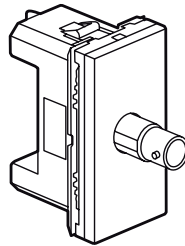


**Arteor™**  
**BNC socket, 75 ohms**

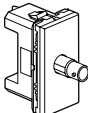
Cat. No(s): 5722 76 - 5727 76



**1. USE**

For connecting composite video signals (video surveillance network, camera, plasma display, etc.).

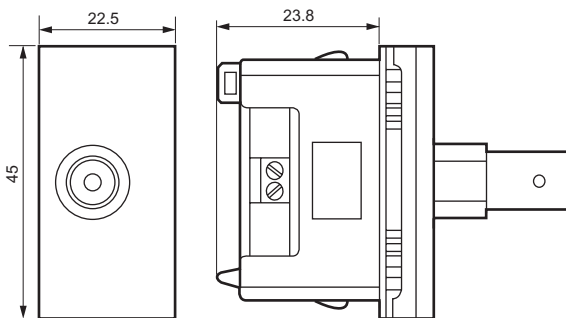
**2. RANGE**

	Designation	Finishes		Number of modules	Fixing method	Connection method	Weight (g)
		White	Magnesium				
	BNC socket, 75 ohms female	5722 76	5727 76	1	With clips	With screws	21.3

**3. PREPARATION**

The mechanisms can be flush-mounted or surface-mounted.

**4. OVERALL DIMENSIONS**



**5. CONNECTION**

Wide terminal strip taking a 1 mm<sup>2</sup> conductor max.

Supplied in a bag containing :

- 1 Colring tie
- ferrules to be crimped for conductor < 0.5 mm<sup>2</sup>
- thermoformable sheaths.

Cable bend radius: 35 mm

**5. CONNECTION (continued)**

**Stripping**

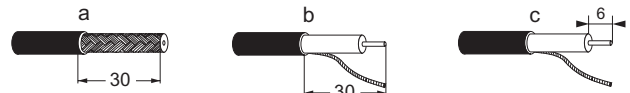
Cords to be cut: video cable 1 coaxial cable 75 Ω Ø 6 mm

a - Cable unsheathing length: 30 mm.

b - Braid length: 30 mm

Thin out and twist the braid.

c - Core stripping length: 6 mm



**Wiring**

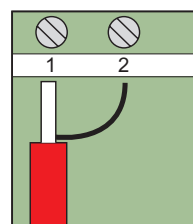
Tools required : flat-blade screwdriver 0.4 x 2.5 mm and flat-nose pliers.

Insulate the braid using the neoprene sleeve supplied, thread it into the ferrule supplied and crimp it using the flat-nose pliers.

Thread the core into the ferrule supplied and crimp it using the flat-nose pliers.

Hold the cable mechanically using the cable clamp supplied.

Follow the wiring instructions below :



- 1 - Hot spot
- 2 - Ground

## BNC socket, 75 ohms

### 6. TECHNICAL CHARACTERISTICS

#### 6.1 Mechanical characteristics

Impact tests: IK 04

Penetration by solid bodies/liquid: IP 40

#### 6.2 Material Characteristics

Base: Polycarbonate

Cover: ABS ; ABS-PC

Self-extinguishing: 650° C / 30 s

#### 6.3 Climatic characteristics

Storage temperatures: - 10° C to + 70° C

Operating temperatures: - 5° C to + 50° C

### 7. CLEANING

Surface cleaning with a cloth.

Do not use: acetone, tar remover, trichloroethylene

#### 7.1 Resistance to cleaning agents

Resistance to the following agents:

- Hexane (EN 60669-1),
- Methylated spirits,
- Soapy water,
- Diluted ammonia,
- Diluted pure bleach 10%,
- Glass cleaning substance,
- Pre-impregnated wipes.

#### 7.2 Resistance to hospital-type cleaning agents

Resistance to the following agents:

- Anios,
- Surfanios,
- Bactilisyne,
- Diluted hydrogen peroxide (35%).

**Caution:** A preliminary test should be carried out if other specific cleaning products are to be used