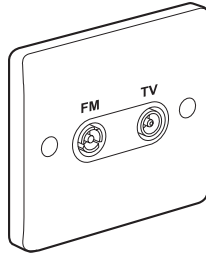


Synergy®
TV - FM Socket outlets

Cat. No(s) : 7300 42



7300 42

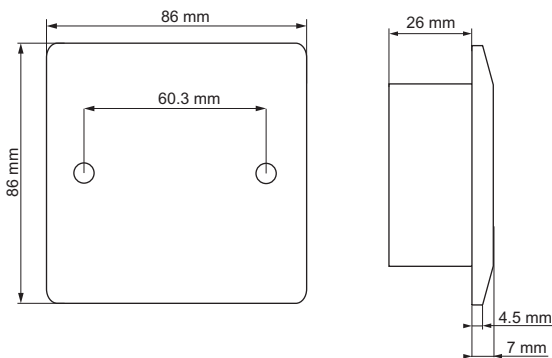
1. APPLICATIONS

Socket outlets for supplying TV/FM equipment within individual or collective dwellings intended to receive either analogue or digital signals up to 862 Mhz.

2. WHITE RANGE

Cat. No.	Characteristics	Weight (g)
7300 42	TV socket, male type Ø 9.52 FM socket, female type Ø 9.52	115

3. DIMENSIONS



4. INSTALLATION

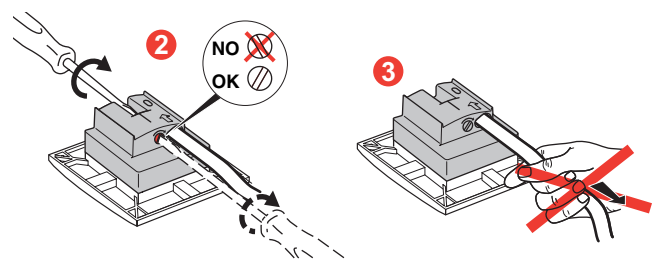
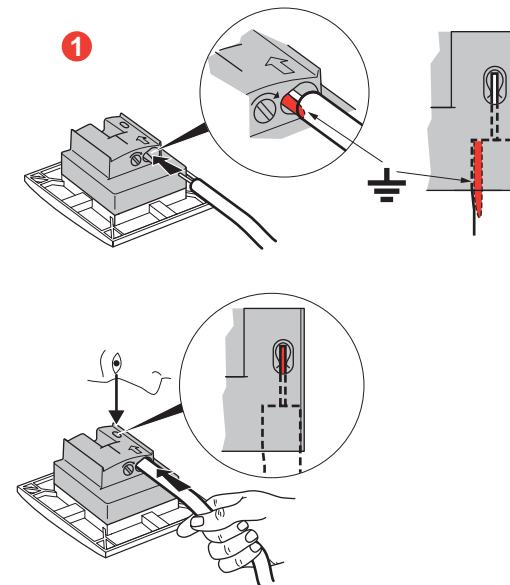
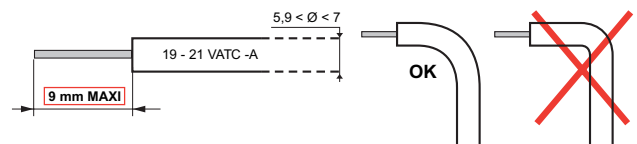
Flush mounting :

- All products supplied with 2 x M 3.5 fixing screws and 2 thermo-plastic screw covers. It is recommended that redundant top and bottom fixing lugs in metal back boxes are bent back to increase room for mechanisms and their attendant wiring.
- 35 mm minimum depth back boxes.

Surface mounting :

- 1 gang 35 mm deep pattress : Cat. No. 736406

5. CONNECTION



5. CONNECTION (continued)

Input

- During installation, sharp bends in the cable must be avoided in order to ensure minimum signal degradation
- Accepts standard low-loss TV coaxial cable, 5.5 - 7 mm o.d.
- Inner conductor diameter: 1 - 2 mm diameter

Output

- Male type socket for TV Ø 9.52 mm (conforms to IEC 169-2)
- Female type socket for FM Ø 9.52 mm (conforms to IEC 169-2)
- Return path through TV Socket

6. GENERAL CHARACTERISTICS

6.1 Mechanical characteristics

- IP rating : IP2X
- IK rating : IK01
- Quarter turn cable grip : ensure central conductor is visible in observation window before rotating cable-grip screw which grips outer sheath only. Deformation of inner core is thus avoided.

6.2 Electrical characteristics

- Mechanism impedance : 75 Ω.
- Frequency band widths : TV : 5-68/120 - 862 Mhz
FM : 87.5 - 108 Mhz
- Signal loss : < 1.5 dB from 5 to 68 Mhz and from 120 to 862 Mhz
- Insertion loss : UHF > 65 dB
VHF > 75 dB

6.3 Material properties

- Frontplate : thermoset urea, self-extinguishing at 960° C / 30 s
- Mechanism : Mazak shielded.
- Fixing screw concealment plugs : polycarbonate.

6.4 Resistance to chemicals

Resistance to chemical agents	PC	UREA
Acetone	n	l
Acetic acid 10 %	s	-
Hydrochloric acid	s (20%)	n
Citric acid 10 %	s	-
Hydrofluoric acid 4 %	s	l
Lactic acid 10 %	s	-
Nitric acid 10 %	s	-
Phosphoric acid 85 %	l	n
Sulphuric acid 25 %	s	n
Tannic acid	n	-
Cleaning agents containing traces of ammonia quaternaires	n	s
Ethyl alcohol	s	l
Methyl alcohol (methanol)	l	l
Ammonia	n	l
Aniline	n	l
Benzene	n	l
Lime	n	l
Liquid chlorine	n	-
Barium chloride	s	-
Chlorinated lime 20 %	s	-
Javel water	s	-
Seawater	s	-
Oil	s	s
Milk	s	-
Fuel	s	l
Petroleum oil, petroleum ether	l	l
Caustic soda	n (40%)	s (25%)
Sugar	s	-
Toluene	n	-
Trichlorethylene	n	l
Urine	s	-
Wine	s	-

s = satisfactory
l = limit
n = not satisfactory

6. GENERAL CHARACTERISTICS (continued)

6.5 Functional limitations

- Products may be stored at temperatures between - 5°C and + 40° C
- Maximum ambient average temperature in any 24 hour period not to exceed 25° C.

7. MAINTENANCE

The use of abrasive or solvent-based cleaners is strictly forbidden as it could result in irreparable damage to the product's external surfaces. We recommend the use of a soft, slightly damp cloth to remove fingerprints, etc...

8. ACCESSORIES

Fixing screw concealment plugs : Cat. No. 730153 (50 per pack)

9. CONFORMITY TO STANDARDS

Conform to EN 50083-2