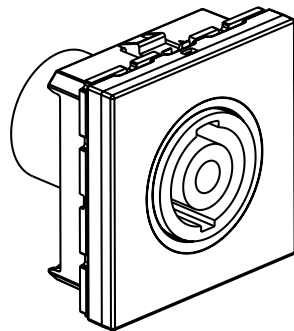


Mosaic™ Speakon socket

Cat. No(s): 787 60



1. USE

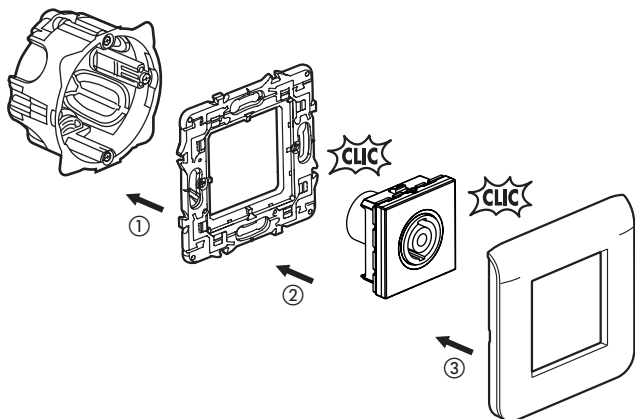
For connecting passive speakers to an amplifier.
Audio stereo link.

2. RANGE

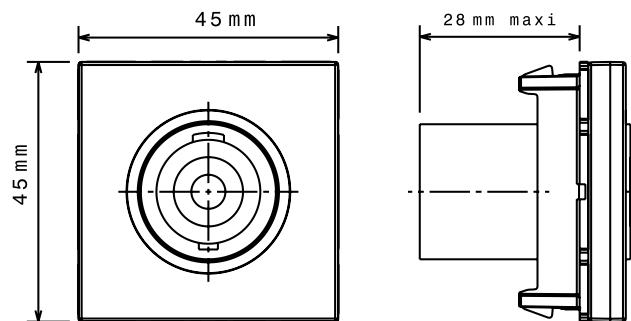
	Désignation	Réf.	Modules	Mode de fixation	Mode de raccordement	Poids (g)
	Prise Speakon	787 60	2	A clips	A vis	28,4

3. PREPARATION

- The mechanisms can be flush-mounted or surface-mounted.
- Modular mechanisms using adapter Cat. No. 802 99 (2 modules).
- The mechanisms are mounted on thin walls using adapter Cat. No. 802 91 (2 modules).



4. OVERALL DIMENSIONS



5. CONNECTION

Wide terminal strip taking a 1 mm² conductor max.
Supplied in a bag containing :

- 1 Colring tie
- ferrules to be crimped for conductor < 0.5 mm²
- thermoformable sheaths.

Cable bend radius : 35 mm

Stripping

Recommended cable: audio cable 4 x 2.5 mm²

- a - Cable unsheathing length: 40 mm..
- b - Core stripping length: 8 mm.

Wiring



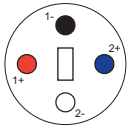
Tools required: flat-blade screwdriver 0.4 x 2.5 mm and flat-nose pliers.
Insulate the continuity wire using the neoprene sleeve supplied, thread it into the ferrule supplied and crimp it using the flat-nose pliers.
Thread the cores into the ferrules supplied and crimp them using the flat-nose pliers.
Start by cabling the continuity wire, followed by the cores
Hold the cable mechanically using the cable clamp supplied.

5. CONNECTION (cont'd)

Wiring (cont'd)

Follow the wiring instructions below:

1+



- Red: point chaud 1

1- - Black: masse 1

2+ - Blue: point chaud 2

2- - White: masse 2

6. TECHNICAL CHARACTERISTICS

6.1 Mechanical characteristics

Impact tests: IK 04

Penetration by solid bodies/liquid: IP 41 (C15-100)

6.2 Material characteristics

Base: Polycarbonate

Cover: ABS (RAL 9003)

Self-extinguishing : 650°C / 30 s

6.3 Climatic characteristics

Storage temperature: - 10°C to + 70°C

Operating temperature: - 5°C to + 50°C

7. CLEANING

Surface cleaning with a cloth.

Do not use: acetone, tar remover, trichloroethylene.

7.1 Resistance to cleaning agents

Resistance to the following agents: - Hexane (EN 60669-1)

- Methylated spirits
- Soapy water
- Diluted ammonia
- Diluted pure bleach 10%
- Glass cleaning substance
- Pre-impregnated wipes.

7.2 Resistance to hospital-type cleaning agents

Resistance to the following agents: - Anios

- Surfanios
- Bactylisine
- Diluted hydrogen peroxide (35%)

Caution: A preliminary test should be carried out if other specific cleaning products are to be used.