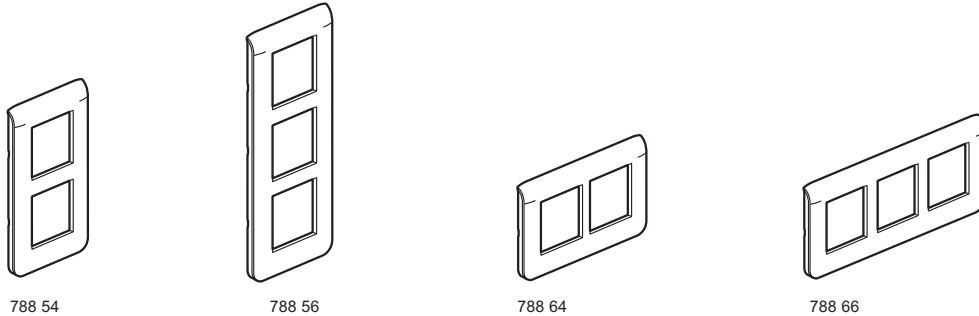


Mosaic™ plates - Centre distance 57

Cat. No(s) : 788 54/56/64/66



1. USE

Plates for covering 4 to 6-module mechanisms for flush-mounting boxes with centre distance 57 (renovation).

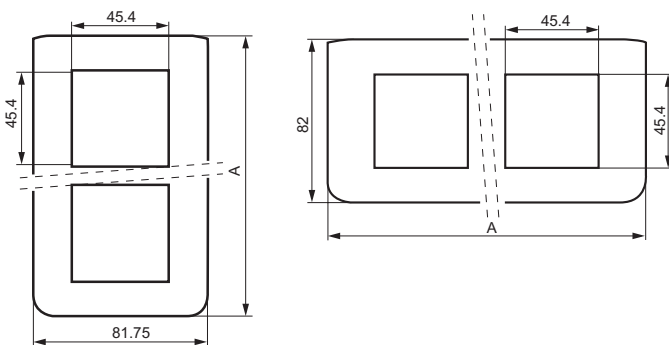
2. RANGE

| | Designation | Cat. No. | No. of modules | Fixing method | Weight (g) |
|--|--|----------|----------------|---------------|------------|
| | 2 x 2-module plate vertical mounting | 788 54 | 4 | with clips | 28.7 |
| | 3 x 2-module plate vertical mounting | 788 56 | 6 | with clips | 38.23 |
| | 2 x 2-module plate horizontal mounting | 788 64 | 4 | with clips | 28.03 |
| | 3 x 2-module plate horizontal mounting | 788 66 | 6 | with clips | 37.82 |

3. PREPARATION

Use 2-module support frames 802 51 and 802 61

4. OVERALL DIMENSIONS



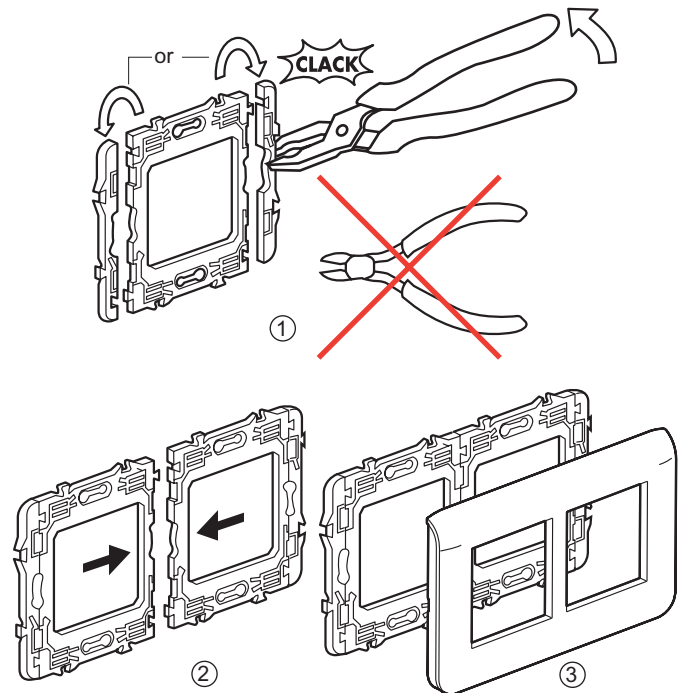
| | A |
|-----------|-----|
| 788 54/64 | 139 |
| 788 56/66 | 196 |

5. MOUNTING

The plates clip on in notches onto the screw-type or claw-type mounting supports (notches are used for thickness compensation. .E.g. : wall carpet). The support frames can be easily removed using a screwdriver.

5. MOUNTING (continued)

Multi-gang mounting, centre distance 57 mm.



- 1 - Break the blades of the support frames using a flat nose pliers.
- 2 - Fit the support frames together, then fix the whole to the box already existing.
- 3 - Clip the plate to the support frames.

6. TECHNICAL CHARACTERISTICS

6.1 Mechanical characteristics

Impact tests : IK04

6.2 Material characteristics

Plate : Plastics : ABS + Polycarbonate (RAL 9003)
Aluminium : Zamac + Polycarbonate

Self-extinguishing : 650°C / 30 s

6. TECHNICAL CHARACTERISTICS *(continued)***6.3 Climatic characteristics**

Storage temperatures : - 10°C to + 70°C

Operating temperatures : - 5°C to + 50°C

7. CLEANING

Surface cleaning with a cloth.

Do not use : acetone, tar remover, trichloroethylene.

7.1 Resistance to cleaning agents

Resistance to the following agents : Hexane (EN 60669-1), Methylated spirits, Soapy water, Diluted ammonia, Pure bleach diluted 10%, Glass cleaning substance, Pre-impregnated wipes.

7.2 Resistance to hospital-type cleaning agents

Resistance to the following agents : Anios, Surfanios, Bactily sine, Diluted hydrogen peroxide (35%).

Caution :

A preliminary test should be carried out if other specific cleaning products are to be used.

8. SPECIAL USE

Mosaic plates must not be painted.

9. ACCESSORIES

Self-adhesive label holders for plates

Cat. No. 791 51 : Curved label holder

Cat. No. 791 52 : Flat label holder