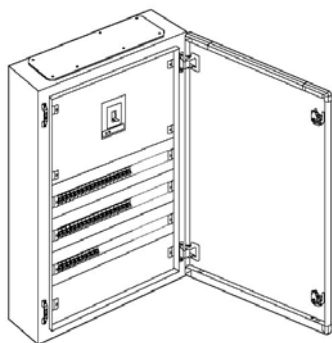


XL³ 400 IP 55 metal distribution cabinets
Cat. No(s): 20182/83/84/85

CONTENTS
PAGE

1. General characteristics	1
2. Finish.....	1
3. Range.....	1
4. Dimensions	2
5. Equipment.....	2
6. Accessories.....	4

1. GENERAL CHARACTERISTICS

One-piece metal distribution cabinets, supplied with reversible solid flat door with handle with interchangeable barrel (to be ordered separately), and wall mounting brackets. Packaging reusable after assembly.

- Removable chassis
- Protection factor against solid bodies and liquids conforming to standards IEC 60529 and NF EN 60529: IP 55.

- Protection factor against mechanical impacts conforming to standards NF EN 50102 and NF C20.015: IK 08

- Maximum current: 250 A

1-1 Frame

- One-piece cabinets made from 10/10 mm thick sheet steel
 - 1 removable chassis fitted with 2 functional uprights drilled at 25 mm intervals.
 - 2 cable routing plates in 10/10 mm thick sheet steel.
 - Fastenings with various heads (PZ, slotted, H10 head).
 - Wall mounting with 4 external brackets (supplied).
 - Reversible solid metal doors, supplied with 2 handles without barrel, opening angle 120°.
 - Capacity: 24 modules per row.

1-2 Compliance with standards

- Legrand cabinets and enclosures are designed to comply with current international standards depending on their usage.

IEC 60529	Degree of protection provided by enclosures (IP code)
NF EN 50102	Degree of protection provided by electrical equipment enclosures against external mechanical impacts (IK code)
IEC 60439-1	Low voltage switchgear assembly
IEC 60439-3	Low voltage switchgear assembly

1. GENERAL CHARACTERISTICS (continued)
1-3 Resistance to climatic conditions:

- Salt spray: 1000 h
- Operating temperature: -5°C to +40° C
- Storage temperature: -10°C to +70°C

1-4 Fire resistance:

- Glow wire resistance 750° C / 5 s in accordance with IEC 60695-2

2. FINISH
2-1 Casing

- One-piece cabinet made from 10/10 mm thick sheet steel
- Cut-out top and bottom cable routing plates made from 10/10 mm thick sheet steel, painted grey RAL 7035 colour
- Faceplate made from 10/10 mm thick sheet steel, painted grey RAL 7035 colour to be ordered separately.
- metal door, 1.5 mm thick, grey RAL 7035 colour

2-2 Coating

- Grey RAL 7035 epoxy polyester paint applied by electrostatic powder coating, coating thickness 50/70 µ.

3. RANGE
3-1 One-piece metal cabinets

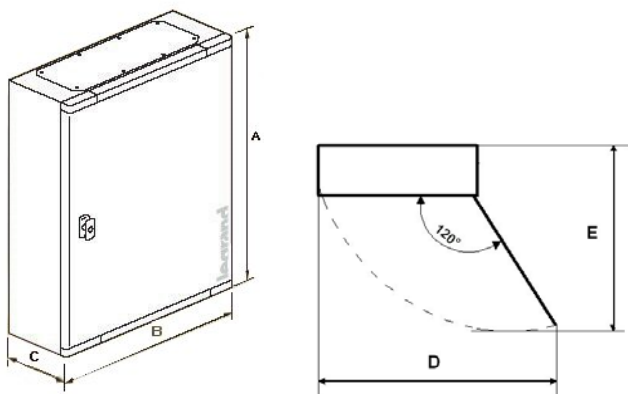
Supplied with reversible solid flat door with handle, removable chassis with functional uprights, top and bottom metal cable routing plate and wall mounting brackets.

Height (mm)	Effective height (mm)	Effective width (mm)	Depth under faceplate (mm)	Weight (kg)	Cat. No.
515	400	515	155	17.9	20182
715	600	515	155	22.9	20183
915	800	515	155	29	20184
1115	1000	515	155	32.5	20185

4. DIMENSIONS

Cat. No.	A	B	C	D	E
20182	515	700	215	1051	881
20183	715	700	215	1051	881
20184	915	700	215	1051	881
20185	1115	700	215	1051	881

Note: Dimension C does not include the handle



4-1 Wall mounting

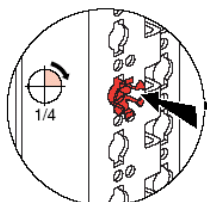
	A (mm)	B (mm)	
20182	575	624	
20183	775	624	
20184	975	624	
20185	1175	624	

4-2 Mounting holes

- Functional uprights

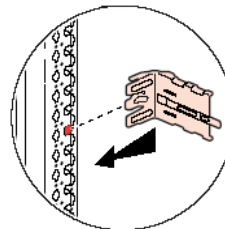
Profiled steel uprights with 3 holes drilled alternately:

- 25 mm interval holes for fitting clip nuts



4. DIMENSIONS (cont.)

- 25 mm interval holes for fitting rail support brackets



- Ø 4.5 mm holes at 25 mm intervals for fitting self-tapping screws

- Effective dimensions under rail and plate

- Cabinets

Rail 20200 420 x 76 Upper position
420 x 50 Lower position

20201 420 x 90

Plate 20210 420 x 64

20212 420 x 64

20214 420 x 64

20216 420 x 64

20205 420 x 64

20220 420 x 33

20221 420 x 33

20222 420 x 33

20224 420 x 33

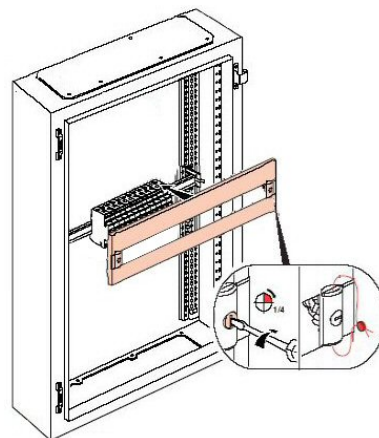
20225 420 x 33

20241 420 x 33

20242 420 x 33

5. EQUIPMENT

¼ turn fastening and sealable metal faceplates



5. EQUIPMENT (cont)

¼ turn fastening and sealable metal faceplates

- Solid metal faceplates

Cat. No.	Height (mm)
20340	50
20341	100
20342	150
20343	200
20344	300

- Metal faceplates for rail-mounted modular units

Cat. No.	Height (mm)
20300	150
20301	200
20310	300

- Metal faceplates for plate-mounted units in vertical position

Cat. No.	Height (mm)
20307	300
20310	400
20312	400
20320	400
20321	400
20322	600
20323	600

- Metal faceplates for plate-mounted units in horizontal position

Cat. No.	Height (mm)
20314	200
20315	200
20316	200
20324	200

Mounting on omega rail

- Cat. No. 20201 Device for modular devices and Vistop up to 160 A
- Cat. No. 20200 2-position device for modular devices and Vistop up to 160 A, DPX-IS 250, DPX 125, 160 and 250 ER
- Cat. No. 26208 Mounting plate for DPX 125
- Cat. No. 26209 Mounting plate for DPX 160 and DPX 250 ER
- Cat. No. 26239 Mounting plate for DPX-IS 250
- Cat. No. 26299 20-module rail height spacer to be used with Cat. No. 20200
- Cat. No. 20202 Universal adjustable mounting device
- Cat. No. 20204 Universal rail

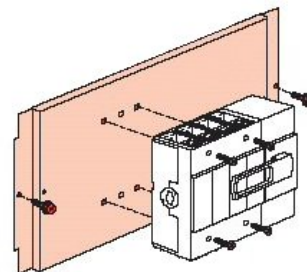
Plate mounting

- fixed version units on plate in vertical position

- Cat. No. 20205 For 1 - 2 DPX-IS 250
- Cat. No. 20210 For 1 - 3 DPX 125, DPX 160 or DPX 250 ER
- Cat. No. 20212 For 1 - 3 DPX 125, DPX 160 or DPX 250 ER with downstream earth leakage module
- Cat. No. 20220 For 1 - 2 DPX 250 or 1 DPX 250 with distribution block Cat. No. 37400
- Cat. No. 20221 For 1 DPX 250

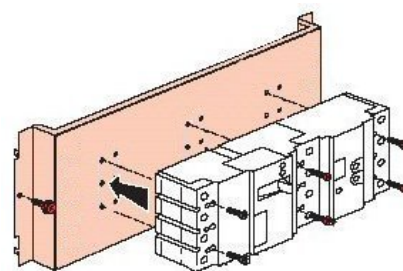
5. EQUIPMENT (cont)

- Cat. No. 20222 For 1- 2 DPX 250 earth leakage module or 1 DPX 250 earth leakage module with 1 distribution block Cat. No. 37400
- Cat. No. 20223 For 1 DPX 250



- fixed version units on plate in horizontal position

- Cat. No. 20214 For 1 DPX 125 or DPX 160 with or without downstream earth leakage module
- Cat. No. 20216 For 1 DPX 250 ER or without downstream earth leakage module
- Cat. No. 20224 For 1 DPX 250 with or without downstream earth leakage module



6. ACCESSORIES

- Cat. No. 20190 Divider for horizontal compartmentalisation

Cable mounting

- Cat. No. 20135 Cable mounting support

Perforated universal plates

- Cat. No. 20241 Height 200 mm
- Cat. No. 20242 Height 300 mm

Blanking plates

- Cat. No. 20051 24 modules, smooth adjustable strip
- Cat. No. 01665 18 modules, separable into modules or ½ modules
- Cat. No. 20399 Clip-on adhesive label holder for faceplate

Clip nuts for functional uprights

- Cat. No. 20092 Nut for M6 bolt (pack of 20)
- Cat. No. 20091 M6 bolt (pack of 50)



6. ACCESSORIES (cont.)

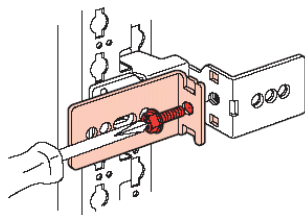
Clip nuts for perforated plates

- Cat. No. 36440 For M4 bolt (pack of 100)
- Cat. No. 36441 For M5 bolt (pack of 100)

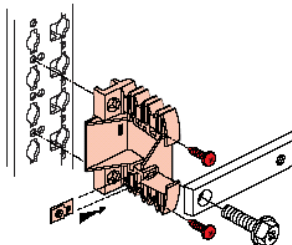


Wire routing

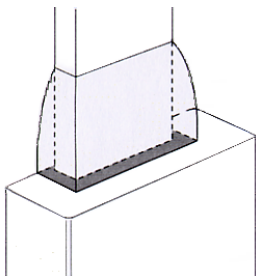
- Cat. No. 36774 M6 x 10 insulating bolt (pack of 50)
- Cat. No. 20080 Insulating rivet for mounting on functional uprights (pack of 100)
- Cat. No. 20094 Wire guide for horizontal routing, mounting on rail Cat. No. 20201
- Cat. No. 20193 Wire guide for vertical routing, mounting on functional uprights
- Cat. No. 36207 Lina™ duct 40 x 60 Length 2 m
- Cat. No. 36208 Lina™ duct 40 x 80 Length 2 m
- Cat. No. 20170 Mounting support for Lina 25 duct



- Cat. No. 20090 Insulating fixing support



- Cat. No. 36497 Cabstop™ cable entry plates
- Cat. No. 20160 Finishing strip for trunking / cabinet junction



6. ACCESSORIES (cont.)

Door accessories

- Key barrels supplied with 2 keys
- Cat. No. 20291 Type 405
- Cat. No. 20292 Type 455
- Cat. No. 20293 Type 1242E
- Cat. No. 20294 Type 2433A

- Self-adhesive document pockets

- Cat. No. 09799 A4 soft plastic pocket
- Cat. No. 36582 IP50 rigid plastic document holder, internal dimensions 324x120x18 mm
- Cat. No. 36581 IP50 document holder, internal dimensions 230x130x18 mm

Protection conductor connection

- Cat. No. 04819 12 x 2 flat bar for accommodating IP2x terminal blocks
- Cat. No. 37301 Bar with holes
- Cat. No. 37302 Bar with clamp
- Cat. No. 37349 Copper bar 12 x 4
- Cat. No. 37389 Copper bar 12 x 4 with M5 tapped holes
- Cat. No. 39399 Bar support, accommodates bars Cat. No. 37301/02/89 and strip Cat. No. 04819
- Cat. No. 37360 Connector for 1.5 mm² conductor
- Cat. No. 37361 Connector for 6 - 16 mm² conductor
- Cat. No. 37362 Connector for 10 - 35 mm² conductor
- Cat. No. 37365 Connector for 12 x 4 bar with threaded holes
- Cat. No. 37385 6 mm² earth bonding conductor

Spray paint

- Cat. No. 20098 RAL 7035