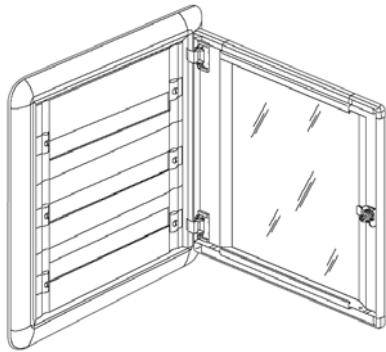


# XL<sup>3</sup> 160 Metal flush-mounting distribution cabinets

Cat. No(s) : 20013/14/15/16/25/26



| CONTENTS                         | PAGE |
|----------------------------------|------|
| 1. General characteristics ..... | 1    |
| 2. Finish.....                   | 2    |
| 3. Range.....                    | 2    |
| 4. Overall dimensions .....      | 2    |
| 5. Equipment.....                | 3    |
| 6. Accessories.....              | 3    |

## 1. GENERAL CHARACTERISTICS

Ready-assembled metal flush-mounting distribution cabinets complete with faceplates, removable chassis with mounted rails, and brass bar for protective conductors. Can accommodate DPX 125 as well as (in cabinets with dedicated space) DPX 160 and single-phase blue tariff kits. Capacity of 3 to 6 rows with 24 modules per row.

- Ingress protection against solids and liquids to standards IEC 60529 and NF EN 60529:

- IP 30 without door
- IP 40 with door

- Mechanical impact rating to standards NF EN 50102 and NFC 20015

- IK04 without door
- IK08 with door

- Glow wire resistance 750° C / 5 s to IEC 60595-2-1

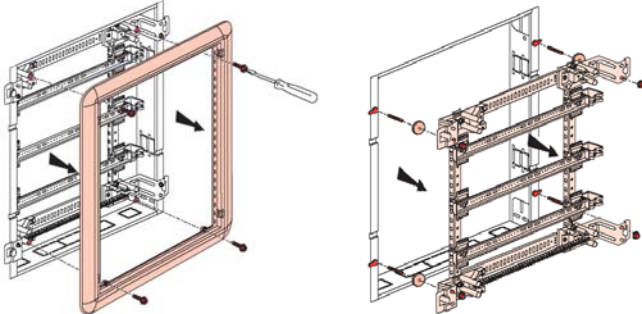
- Maximum current strength 160A
- Ipk : 20 kA

### 1-1 Structure

- Metal wall lining
- Insulated mounting frame
- Sealable insulated ¼-turn faceplates
- Removable chassis
- Supplied with brass grounding strip
- Reversible metal doors with or without window, supplied with handle (without barrel), angle of opening 120° (to be ordered separately)
- Capacity: 24 modules per row.

- Dismountable mounting frame

Removable chassis



## 1. GENERAL CHARACTERISTICS (cont.)

### 1-2 Standard conformity

- Legrand cabinets and enclosures are designed in compliance with all the relevant international standards.

|               |  |
|---------------|--|
| IEC 60529     | Degree of protection provided by enclosures (IP code)  |
| EN 60529      |  |
| NFC 20-015    | Degree of protection provided by enclosures of electrical equipment against external mechanical impact (IK code) |
| NF EN 50102   |  |
| IEC 60439-1   | Low voltage switchgear and controlgear assemblies  |
| NF EN 60439-1 |  |
| IEC 60439-3   | Low voltage switchgear and controlgear assemblies  |
| NF EN 60439-3 |  |

### 1-3 Resistance to climatic conditions :

- Operating temperature : - 5°C à + 40° C
- Storage temperature : - 10°C à + 70°C

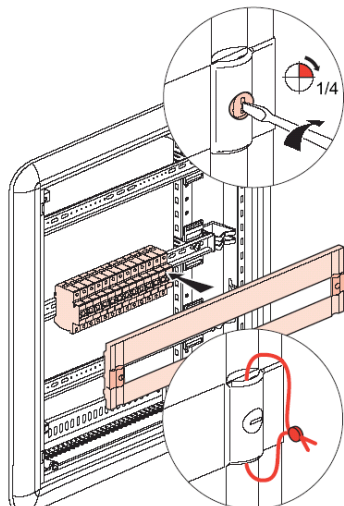
### 1.4 Cabinet capacity

| No. of rows | No. of modules | All-modular cabinets | Cabinets with dedicated space |
|-------------|----------------|----------------------|-------------------------------|
| 3           | 72             | X                    | X                             |
| 4           | 96             | X                    | X                             |
| 5           | 120            | X                    |                               |
| 6           | 144            | X                    |                               |

## 2. FINISH

### 2-1 Outer housing

- Flush-mounting metal housing with cutaway for cable entry
- Insulated mounting frame
- Insulated faceplates, thickness 2.6 mm, ¼-turn fix and release mechanism
- Colour : grey Ral 7035



## 3. RANGE

Flush-mounting metal cabinets, 3 to 6 rows

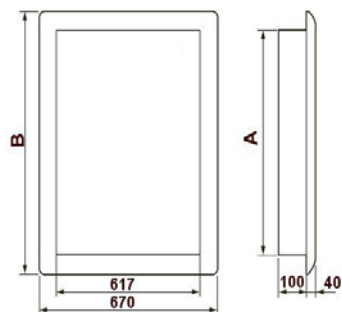
| Height mm | Inside height mm | Inside width mm | Inside depth below faceplate mm | Weight Kg | Cat. No. |
|-----------|------------------|-----------------|---------------------------------|-----------|----------|
| 600       | 550              | 515             | 93                              | 13        | 20013    |
| 750       | 700              | 515             | 93                              | 15,5      | 20014    |
| 900       | 850              | 515             | 93                              | 17,7      | 20015    |
| 1050      | 1000             | 515             | 93                              | 20,4      | 20016    |

Flush-mounting metal cabinets, 3 and 4 rows, with dedicated space for blue tariff monophase kit

| Height mm | Inside height mm | Inside width mm | Inside depth below faceplate mm | Weight Kg | Cat. No. |
|-----------|------------------|-----------------|---------------------------------|-----------|----------|
| 900       | 850              | 515             | 93                              | 16,8      | 20025    |
| 1050      | 1000             | 515             | 93                              | 19,2      | 20026    |

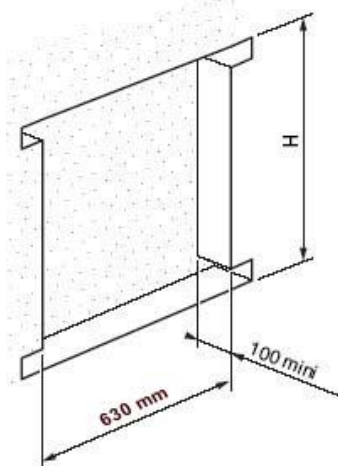
## 4. OVERALL DIMENSIONS

| Cat. No. | A    | B    |
|----------|------|------|
| 20013    | 640  | 695  |
| 20014    | 790  | 845  |
| 20015/25 | 940  | 995  |
| 20016/26 | 1090 | 1145 |



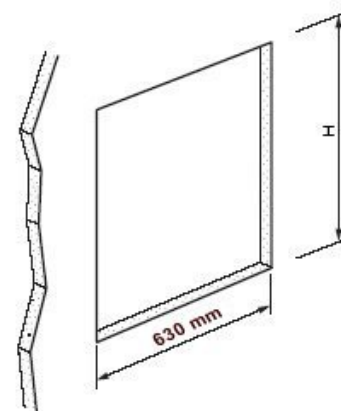
### - Flush mounting in masonry

| Cat. No. | H    |
|----------|------|
| 20013    | 650  |
| 20014    | 800  |
| 20015    | 950  |
| 20016    | 1100 |
| 20025    | 950  |
| 20026    | 1100 |



### - Wall cavity mounting

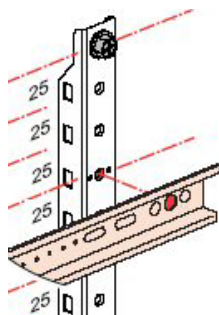
| Cat. No. | H    |
|----------|------|
| 20013    | 650  |
| 20014    | 800  |
| 20015    | 950  |
| 20016    | 1100 |
| 20025    | 950  |
| 20026    | 1100 |



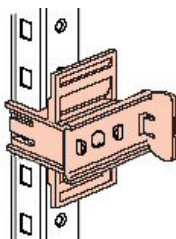
## 4. OVERALL DIMENSIONS (cont.)

### 4-2 Passthrough

- Removable chassis comprising two steel profiles with double perforation
  - On front M6 tapped holes at 25 mm intervals for fixing rails in the upper or lower position



- Side perforations at 25 mm intervals for securing rail support brackets in upper position



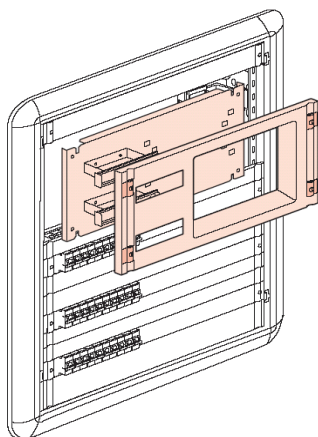
- Passthrough under rail and fixing plate

|                              |                   |  |
|------------------------------|-------------------|--|
| Rail                         | Cat. No.<br>20000 | 345 mm x 50 mm Upper position<br>345 mm x 22 mm Lower position |
| Blue tariff kit fixing plate | Cat. No.<br>20230 | 345 mm x 14 mm   |

## 5. EQUIPMENT

### Blue tariff kit

- Cat. No. 20230 for headline circuit-breaker up to 90 A mono and 60 A tetra



## 5. EQUIPMENT (cont.)

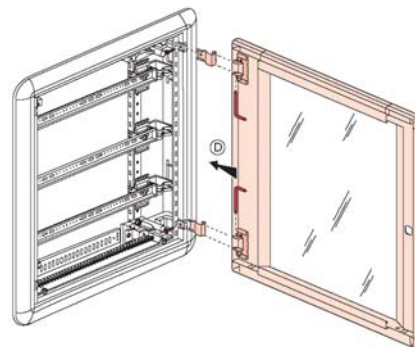
- Cat. No. 20000 Universal rail
- Cat. No. 26208 Fixing plate for DPX 125
- Cat. No. 26209 Fixing plate for DPX 160
- Cat. No. 26299 20-module rail spacer for use with Cat. No. 20000

### Reversible doors

supplied with handle..

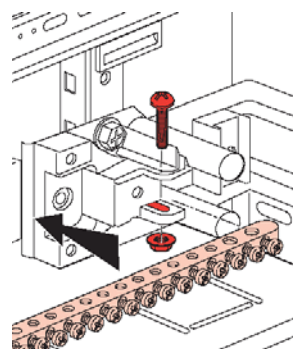
Interchangeable barrel (to be ordered separately)

| Metal | Transparent | Height (mm) | Cabinet/door distance (mm) |         |
|-------|-------------|-------------|----------------------------|---------|
|       |             |             | Metal                      | Transp. |
| 20273 | 20283       | 600         | 38                         | 34      |
| 20274 | 20284       | 750         | 38                         | 34      |
| 20275 | 20285       | 900         | 38                         | 34      |
| 20276 | 20286       | 1050        | 38                         | 34      |



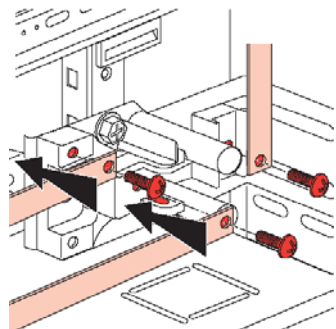
## 6. ACCESSORIES

- Cat. No. 20010 Fixing accessory for wall cavity
- Cat. No. 20051 Cutaway 24-module blanking plate
- Cat. No. 01665 Breakaway 18-module adjustable strip, separation by module or 1/2-module
- Cat. No. 20399 Clip-on adhesive label holder for 24 modules
- Cat. No. 37300 Brass terminal strip for protective conductor



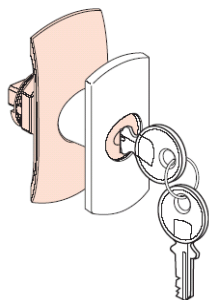
## 6. ACCESSORIES (cont.)

- Cat. No. 04819 Flat bar 12 x 2 for IP2X terminal strips



### Door accessories

- Key barrels and knockout for metal or transparent doors, with two keys
- Cat. No. 20291 Type 405
- Cat. No. 20292 Type 455
- Cat. No. 20293 Type 1242E
- Cat. No. 20294 Type 2433A

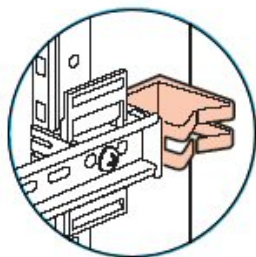


### Adhesive transparent document holder

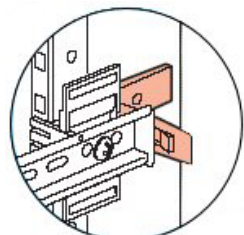
- Cat. No. 09799 Flexible plastic A4

### Wire guides

- Cat. No. 20093 For vertical wiring



- Cat. No. 20070 Mounting support for Lina 25 cable ducting (40 x 60)



## 6. ACCESSORIES (cont.)

### Paint spray

- Cat. No. 20098 RAL 7035