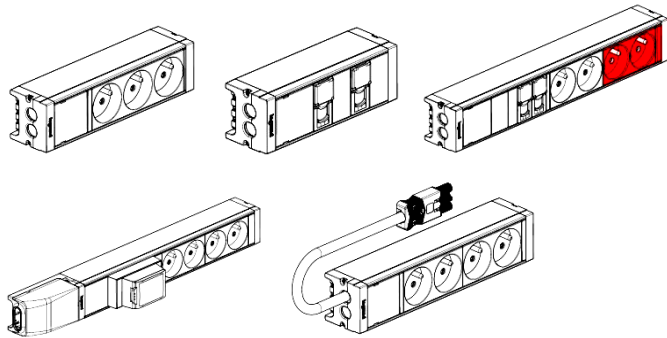


UNDER-DESK MULTI-OUTLETS

Number(s) : 0 734 00 to 006 – 0 734 09 – 0 734 13/14 – 0 734 19/20/21/22 – 0734 24 – 0 734 35/36 – 0 734 45 – 0 734 50/51 – 0734 54/55 – 0 734 65 – 0 734 70 to 72 – 0 734 88 – 0 734 95/96



CONTENTS	PAGES
1. Range.....	1-3
2. On demand service.....	4
3. Technical characteristics.....	5-6
4. Electrical characteristics.....	6
5. Material characteristics.....	6
6. Standards.....	6

Legrand offers a complete under-desk multi-outlet range to supply power and data to all workstations.

Main characteristics :

- a body made of anodized aluminium
- a compact product with simple and elegant design
- a reliable and secure installation
- an index of protection: IP20, IK07
- it can be made on demand for customers special requests
- a range of accessories for an easy fixing.

1. RANGE

1.1 French standard

1.1.1 Under-desk multi-outlets to be connected

Supplied without cord ; connection on terminal block

a) With power sockets

Reference	Dimensions L x W x D (mm)	
0 734 00	202x52x52.5	
0 734 01	247x52x52.5	
0 734 02	337x52x52.5	
0 734 03	202x52x52.5	

1. RANGE (continued)

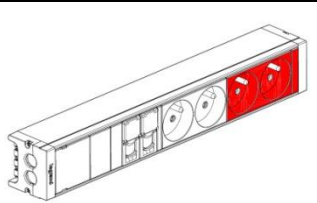
Reference	Dimensions L x W x D (mm)	
0 734 04	247x52x52.5	
0 734 05	277x52x52.5	
0 734 06	367x52x52.5	
0 734 09	367x52x90	
0 734 13	322x52x90	
0 734 14	397x52x90	

UNDER-DESK MULTI-OUTLETS

Number(s) : 0 734 00 to 006 – 0 734 09 – 0 734 13/14 – 0 734 19/20/21/22 – 0734 24 – 0 734 35/36 – 0 734 45 – 0 734 50/51 – 0734 54/55 – 0 734 65 – 0 734 70 to 72 – 0 734 88 – 0 734 95/96

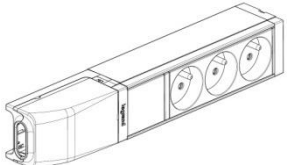
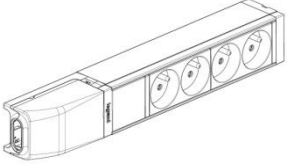
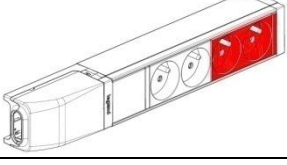
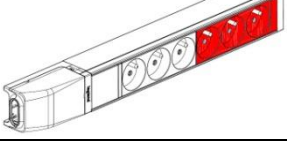
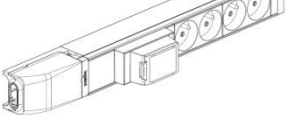
1. RANGE (continued)

b) With power and data sockets

Reference	Dimensions L x W x D (mm)	
0 734 19	337x52x52.5	

1.1.2 Under-desk multi-outlets to be connected – fast connector

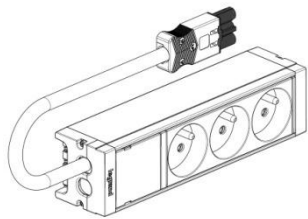
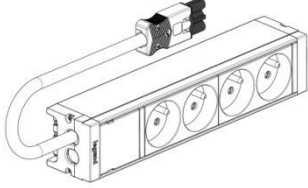
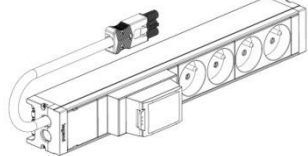
Supplied without cord ; with power sockets

Reference	Dimensions L x W x D (mm)	
0 734 50	295.5x52x52.5	
0 734 51	340.5x52x52.5	
0 734 54	340.5x52x52.5	
0 734 55	430.5x52x52.5	
0 734 65	445.5x52x90	

1. RANGE (continued)

1.1.3 Under-desk multi-outlets with fast connection

Supplied with cord : H07 RNF 3G2,5 mm² - length 5 m with fast connection plug

Reference	Dimensions L x W x D (mm)	
0 734 35	202x52x52.5	
0 734 36	247x52x52.5	
0 734 45	367x52x90	

UNDER-DESK MULTI-OUTLETS

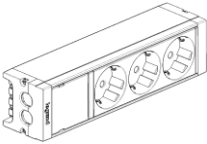
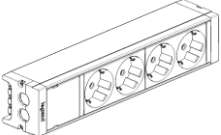
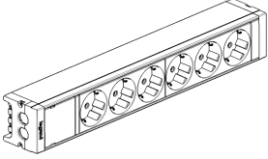
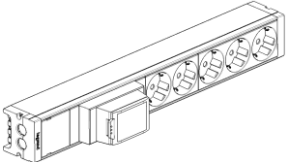
Number(s) : 0 734 00 to 006 – 0 734 09 – 0 734 13/14 – 0 734 19/20/21/22 – 0734 24 – 0 734 35/36 – 0 734 45 – 0 734 50/51 – 0734 54/55 – 0 734 65 – 0 734 70 to 72 – 0 734 88 – 0 734 95/96

1. RANGE (continued)

1.2 German standard range

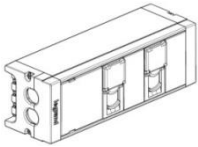
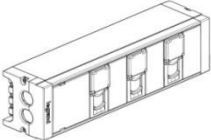
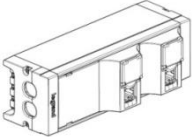
Under-desk multi-outlets to be connected

Supplied without cords ; with power sockets ; connection on terminal blocks

Reference	Dimensions L x W x D (mm)	
0 734 20	202x52x52.5	
0 734 21	247x52x52.5	
0 734 22	337x52x52.5	
0 734 24	397x52x90	




1.3 Data multi-outlets

Supplied without cords

Reference	Dimensions L x W x D (mm)	
0 734 95	157x52x52.5	
0 734 96	202x52x52.5	
0 734 88	157x52x52.5	

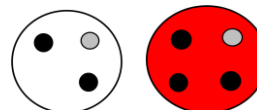
1. RANGE (continued)

1.4 Fixing accessories

Reference	Dimensions L x W x D (mm)	
0 734 70	64x44x1	 Set of 2
0 734 71	44x35.5x25	 Set of 2
0 734 72	90x32.5x3.5	 Set of 2

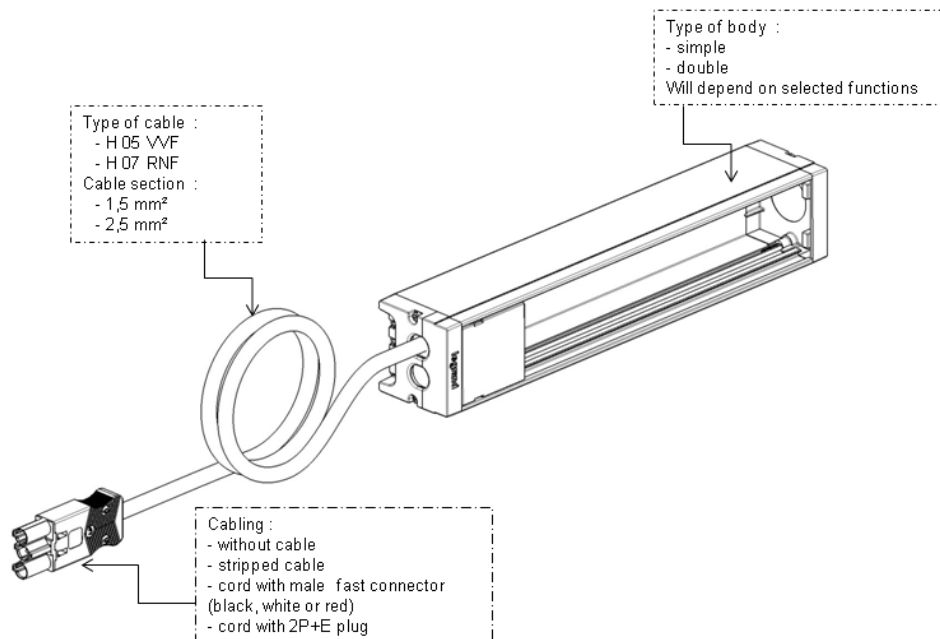
All under-desk multi-outlets are equipped with 35° inclined sockets (with shutters).

- white cover plates for standard power
- red cover plates for tamperproof power

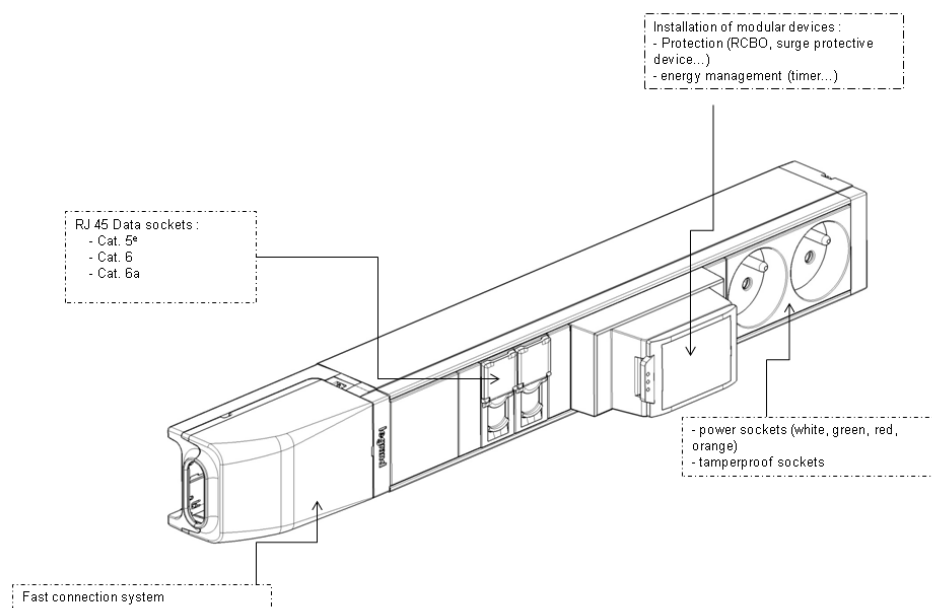


2. ON DEMAND SERVICE

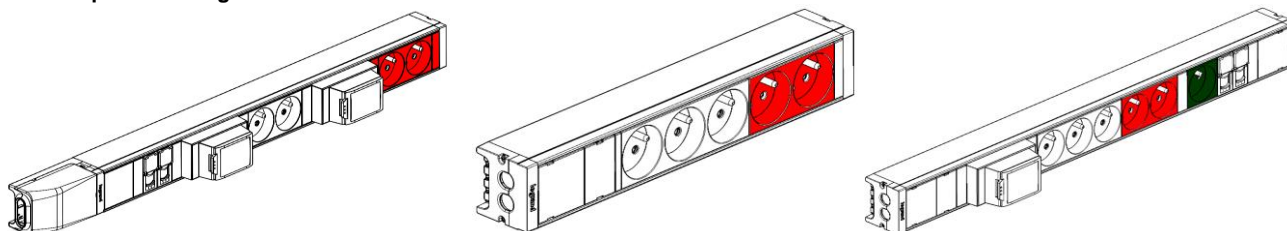
2.1 Structure selection



2.2 Functions selection



2.3 Examples of configurations made on demand



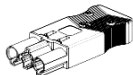
UNDER-DESK MULTI-OUTLETS

Number(s) : 0 734 00 to 006 – 0 734 09 – 0 734 13/14 – 0 734 19/20/21/22 – 0734 24 – 0 734 35/36 – 0 734 45 – 0 734 50/51 – 0734 54/55 – 0 734 65 – 0 734 70 to 72 – 0 734 88 – 0 734 95/96

3. TECHNICAL CHARACTERISTICS

3.1 Under-desk multi-outlets supplied with cord

Cord type : HO7 RNF 3G2.5 mm², length 5m. Supplied with male fast connector 2 P+E, black for standard power and white for tamperproof power



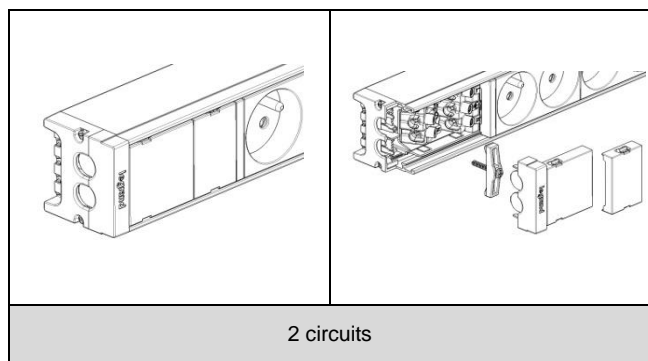
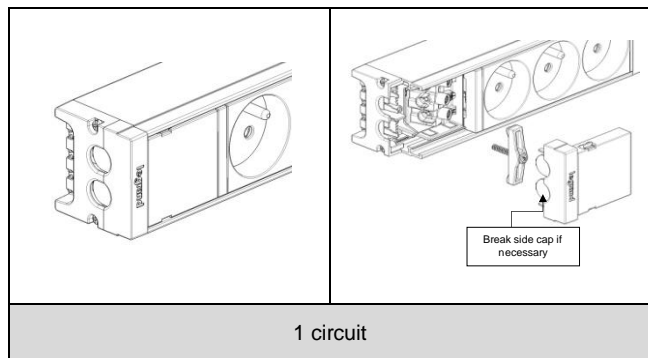
Male fast connector embedded inside the end cap with anti-unplugging gripping system (200N). Connector is black for standard power and white for tamperproof power.

3.2 Under-desk multi-outlets supplied without cord

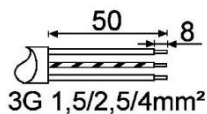
- Connection on terminal blocks :
- HO5 VVF 3G1.5 mm² or 3G2.5 mm² or 3G4mm²
 - HO7 RNF 3G1.5 mm² or 3G2.5 mm² or 3G4mm²

Under-desk multi-outlets to be connected are equipped with a one screw cable clamp (Ø 3,5x25mm).

3.3 End cap with terminal block

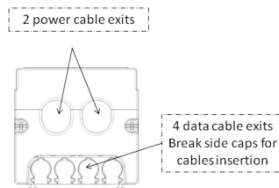


Stripping diagram



3. TECHNICAL CHARACTERISTICS (continued)

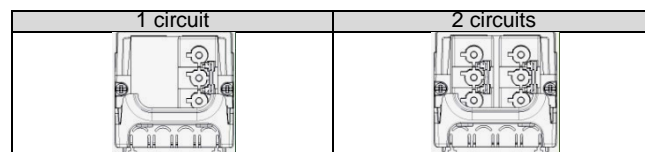
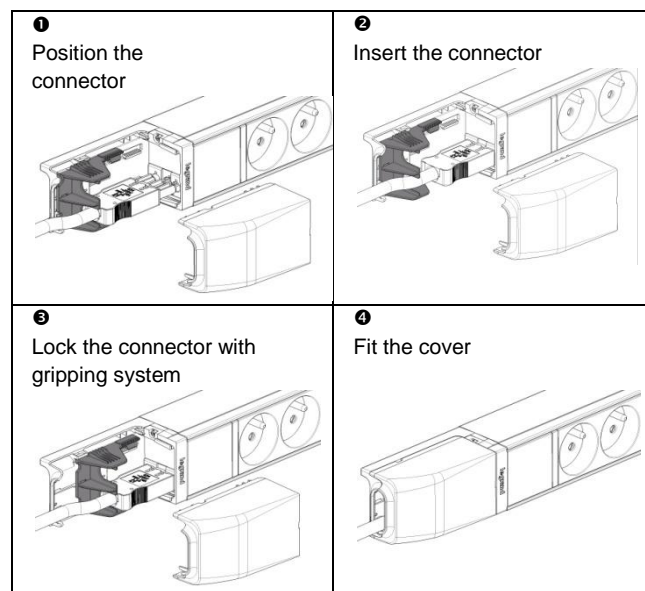
View of the end cap



Data cables may be attached with colring cable ties

3.4 End cap with embedded fast connector

To be connected with fast connector (black for standard power and white for tamperproof power)



UNDER-DESK MULTI-OUTLETS

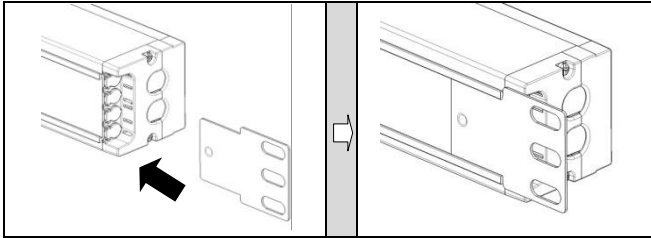
Number(s) : 0 734 00 to 006 – 0 734 09 – 0 734 13/14 – 0 734 19/20/21/22 – 0734 24 – 0 734 35/36 – 0 734 45 – 0 734 50/51 – 0734 54/55 – 0 734 65 – 0 734 70 to 72 – 0 734 88 – 0 734 95/96

3. TECHNICAL CHARACTERISTICS (continued)

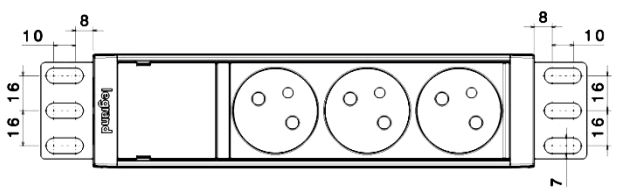
3.5 Fixing accessories

3.5.1 Standard fixing 0 734 70

Fitting

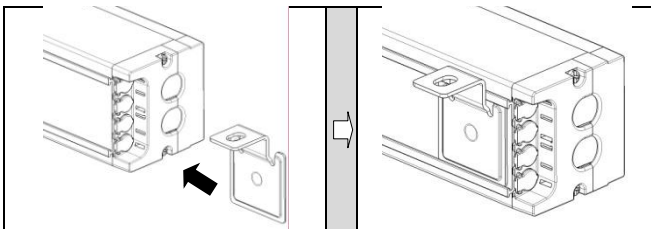


Dimensions (mm)

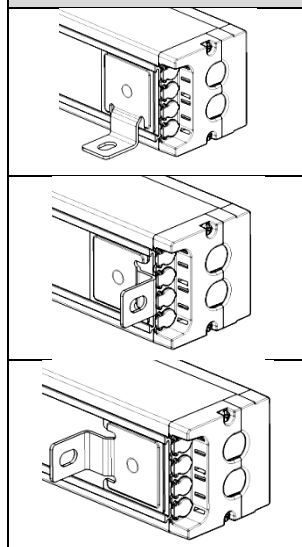


3.5.2 Side fixing 0 734 71

Fitting

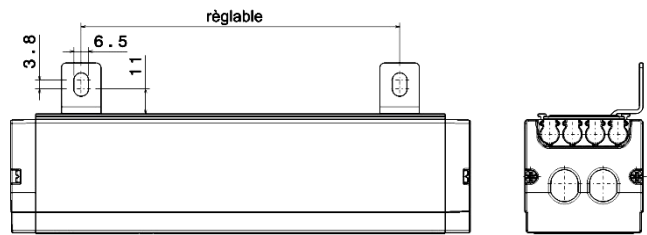


3 other possible positions



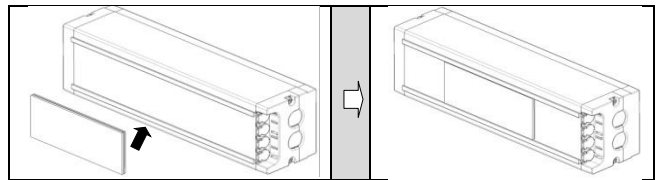
3. TECHNICAL CHARACTERISTICS (continued)

Dimensions (mm)



3.5.3 Magnet fixing 0 734 72

Fitting



4. ELECTRICAL CHARACTERISTICS

- Power : 16A 3680W with 230V
- Under-desk multi-outlets with RCBO :
RCBO single+neutral 16A 30 mA, supplied with transparent protection cover to avoid accidental tripping
- Mandatory earth link

5. MATERIAL CHARACTERISTICS

- **Body** : anodized aluminum
- **Sockets** : PC - ABS
- **End caps** : ABS ; grey RAL 7037
- **RCBO support** : ABS ; white 9003
- **RCBO cover** : PC
- **Cable grip** : ABS
- **Terminal blocks** : PC
- **Fixing accessories** : electro-galvanized steel

6. STANDARDS

- Conformity with NFC 61-314
- IP 20
- IK 07