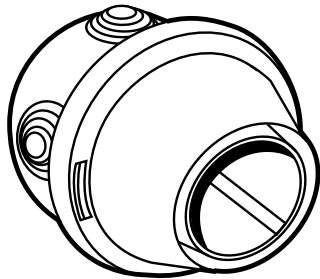
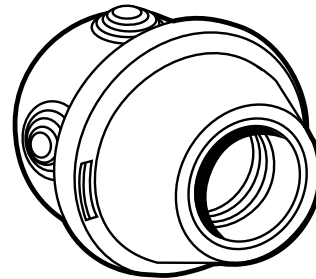


## Plexo brackets

Cat. No(s) : 600 52 - 601 52 - 911 06 - 911 46



600 52



601 52

### 1. RANGE

- 4 Cat. Nos: 8 in cardboard  
Cat. No. 600 52: Straight Plexo B22 bracket  
Cat. No. 601 52: Straight Plexo E27 bracket  
Cat. No. 911 06: Straight Plexo B22 bracket  
Cat. No. 911 46: Straight Plexo E27 bracket

### 2. USE

In lofts, stairwells, small spaces containing technical equipment and anywhere requiring an easily installable, low-maintenance luminaire

### 3. GENERAL CHARACTERISTICS

#### 3.1 Mechanical characteristics

- Weight :  
- of B22 = 148 g  
- of E27 = 127 g  
Protection index: IP 20  
Packaging :  
- in boxes of 10 (Cat. Nos. 600 52 - 601 52 - 911 06/46)

#### 3.2 Electrical characteristics

- Lamp power : 100 W maximum incandescent (at 230 V)  
Voltage up to 230 V  
Frequency up to 60 Hz

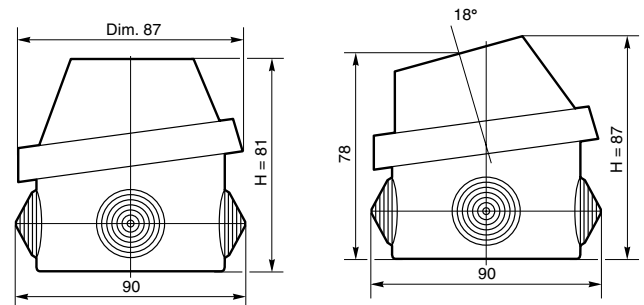
#### 3.3 Environmental characteristics

- Temperatures :  
- storage : 0°C to + 50°C  
- operating : 0°C to + 50°C

### 4. OPERATION

- The cover can be clipped on in two ways:  
- either for the straight version  
- or for the angled version  
This allows adaptation of the product to any installation constraints

### 5. OVERALL DIMENSIONS (without lamp)



### 6. MATERIALS

- Lamp holders : porcelain  
Cover : PA 6.6 (self-extinguishing : 750°C/5 s) - colour grey RAL 7035  
Box : PP (self-extinguishing: 750°C/30 s) - colour grey RAL 7035

### 7. CONFORMITY - APPROVALS

- Luminaire standards : NF EN 60-598-1 (IEC 598-1)  
- Class II  
- IP 20  
- Cannot be used in public buildings  
- "CE" conformity

### 8. MOUNTING

- Wall mounting identical to Plexo ø 70 mm boxes  
Ceiling or wall mounting possible  
Plexo type stepped glands (Cat. No. 919 10)  
The cover clips onto the box and is removed using a tool (for example: 4 mm flat blade screwdriver)

### 9. WIRING

- Branch connection on the lamp holder is not permitted. Use a domino.

### 10. EQUIPMENT AND ACCESSORIES

- Plexo box type glands (Cat. No. 919 10)

### 11. MAINTENANCE

- Clean with a damp cloth  
Open the circuit before cleaning or changing the lamp