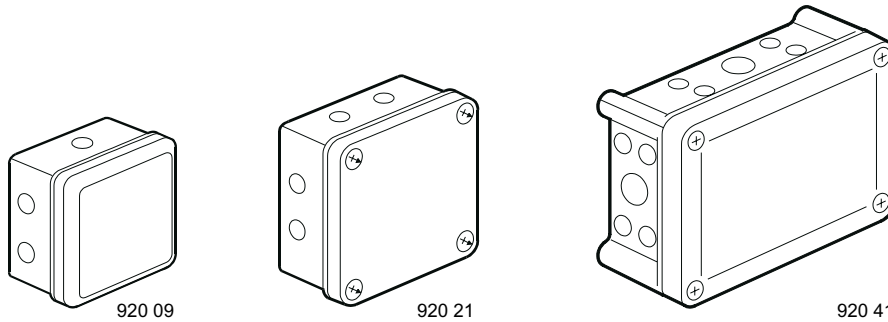


Plexo™
Weatherproof boxes - IP 55 - IK 07

Cat. No(s): 920 09/21/41



i. USE

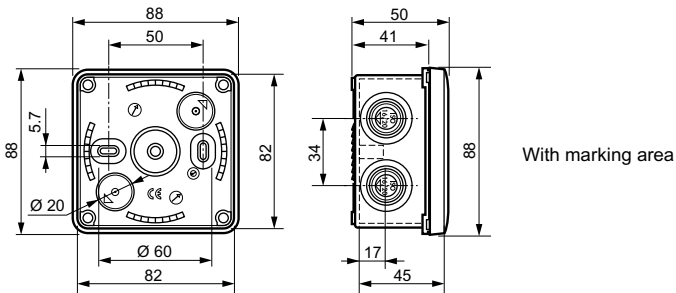
Special weatherproof boxes for operated safety system in fire safety installation of ERP and ERT, according to NF S 61-937.

2. RANGE

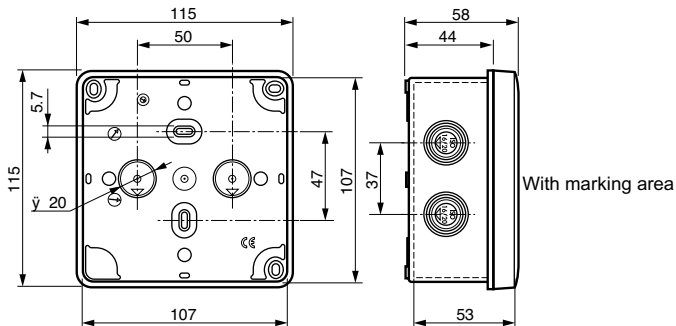
Cat. No	Internal dimensions	Knock-out entries
920 09	80 x 80 x 47	7 (for ISO 16/20)
920 21	105 x 105 x 55	7 (for ISO 16/20)
920 41	155 x 110 x 74	16 (for ISO 16/20) + 4 (for ISO 20/25)

3. OVERALL DIMENSIONS

Cat. No: 920 09

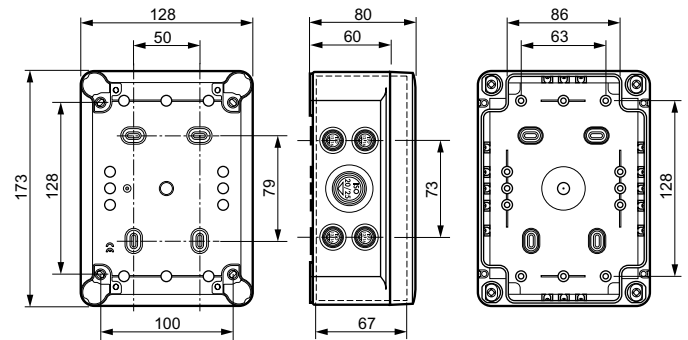


Cat. No: 920 21



3. OVERALL DIMENSIONS (continued)

Cat. No: 920 41



4. TECHNICAL FEATURES

4.1 Mechanical features

IP 55
IK 07

4.2 Material features

- Body: ABS red RAL 3000
- Cover: captive cover with clippable tie between box and cover
For 920 09/21: cover polypropylene grey RAL 7037
For 920 41: cover polycarbonate grey RAL 7037
- Free halogen according to ROHS 2002/95/CE
- Self-extinguishing: 960° C according to NF EN 60695-2-1
- UV resistant
- Highly resistant to impacts and chemical agents
- Class II is ensured by protection caps (supplied) for fixing screws.

4.3 Climatic features

Usage temperature: - 25° C to + 40° C

5. MAINTENANCE

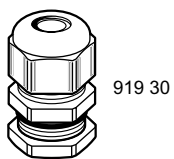
Easy clean

6. ACCESSORIES

Plastic ISO cable gland according to EN 50292

Weatherproof boxes - IP 55 - IK 07**6. ACCESSORIES**

Plastic ISO cable gland, according to EN 50292.



Cat. No	ISO	Clamping capacity	
		ø mini. (mm)	ø maxi. (mm)
919 30	16	4	8
919 31	20	6	12
919 32	25	12	18

- IP 68
- Self-extinguishing: 960° C according to NF EN 60695-2-11
- UV resistant
- Polyamide red RAL 3000
- Usage temperature: - 20° C to + 80° C
- Supplied with grey RAL 7001 locking nuts.

7. STANDARDS

NF S 61-937.