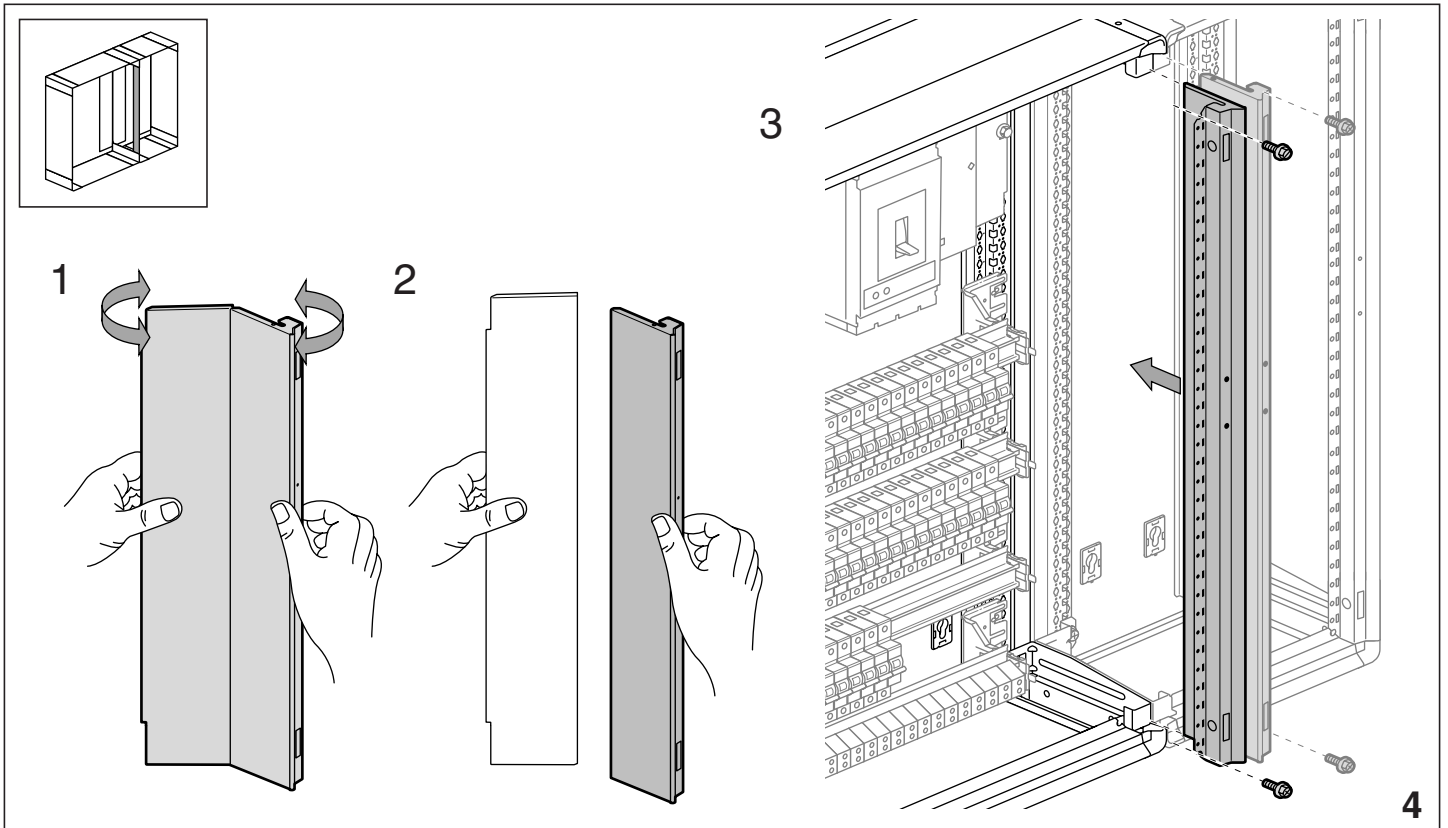
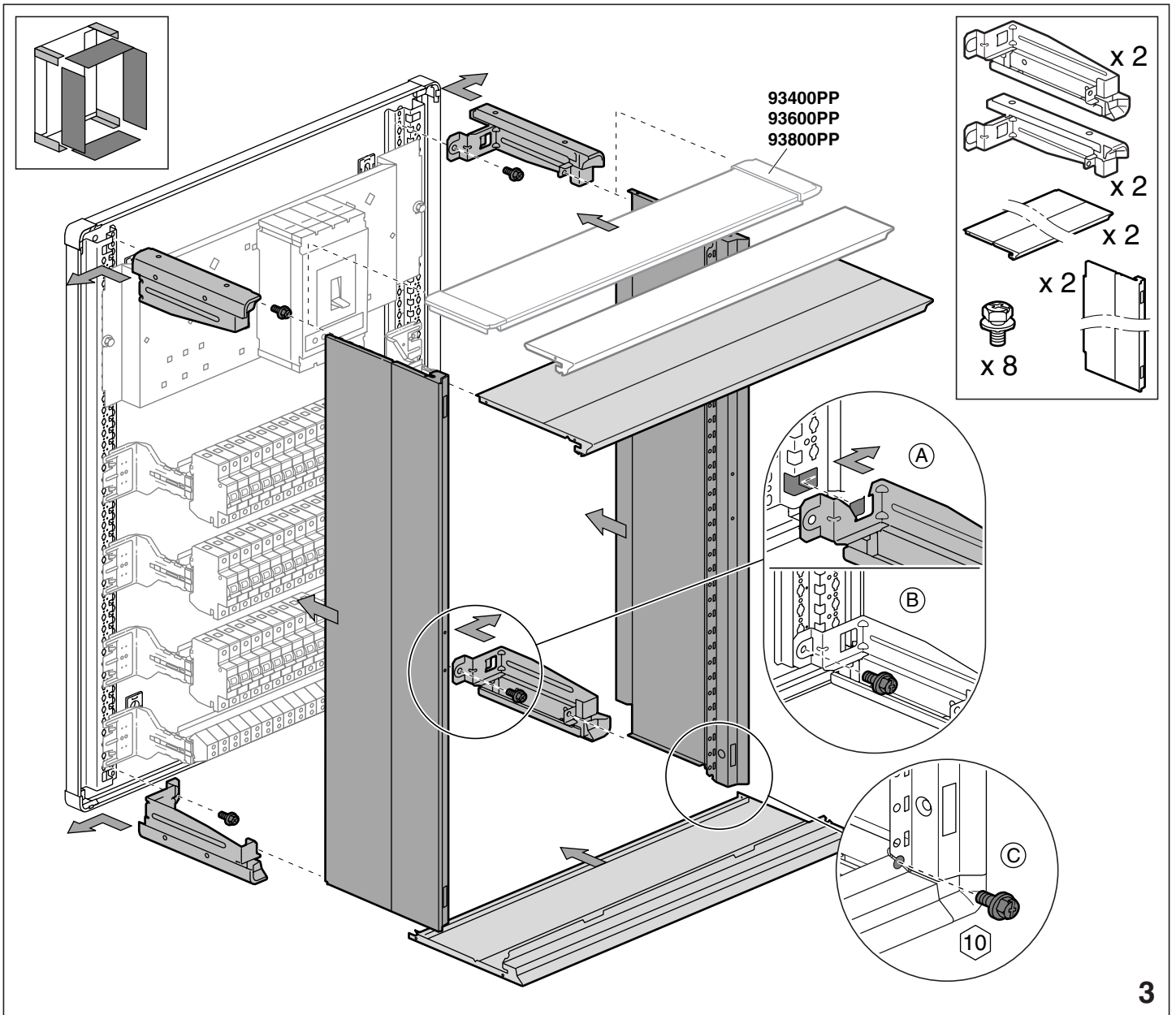
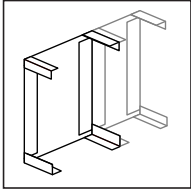
	
H (mm)	art.	H (mm)	art.	H (mm)	art.	H (mm)	art.	H (mm)	art.
1000	93650					1000	93850		
1200	93660					1200	93860		
		1400	93670	1400	93470BE			1400	93870
		1600	93680	1600	93480BE			1600	93880
		1800	93690	1800	93490BE			1800	93890
		2000	93690/10	2000	93490BE/10			2000	93890/10



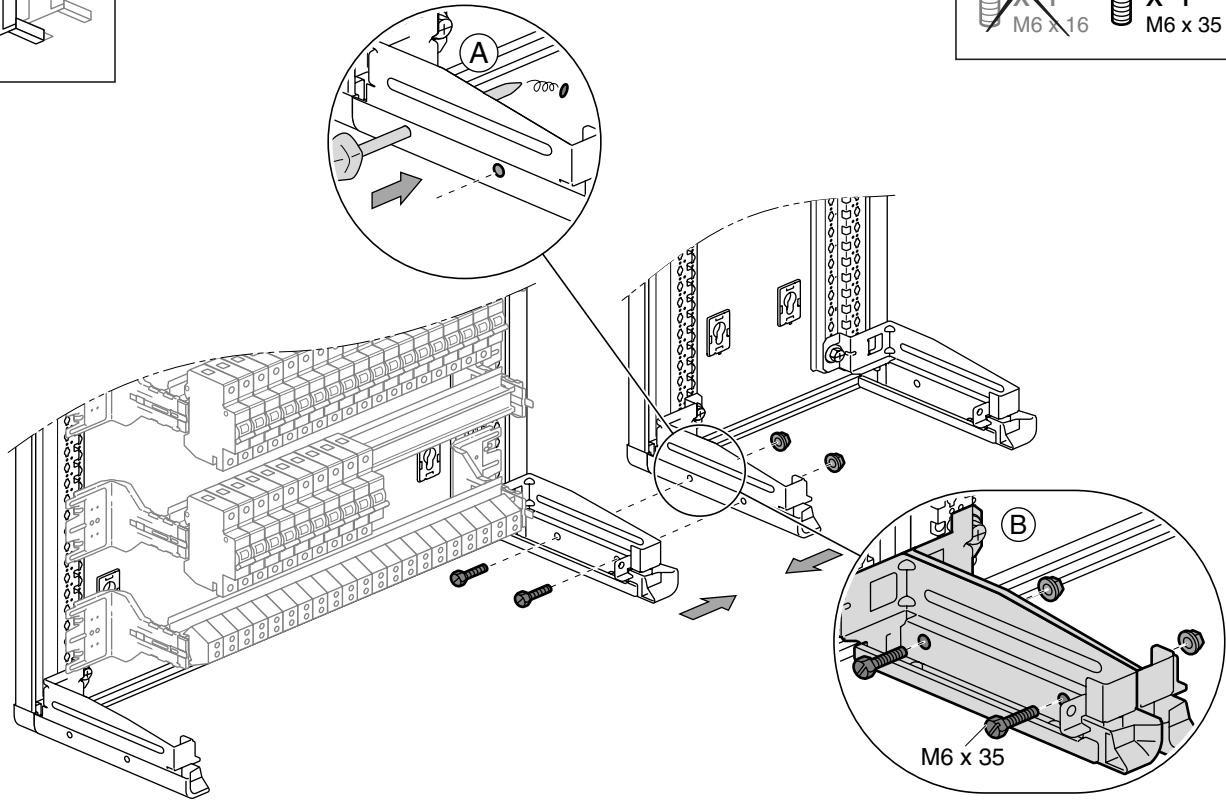


93000AFP

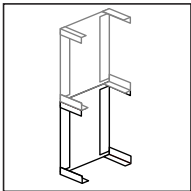
~~x 4~~
M6 x 16

x 4
M6 x 35

x 4



5

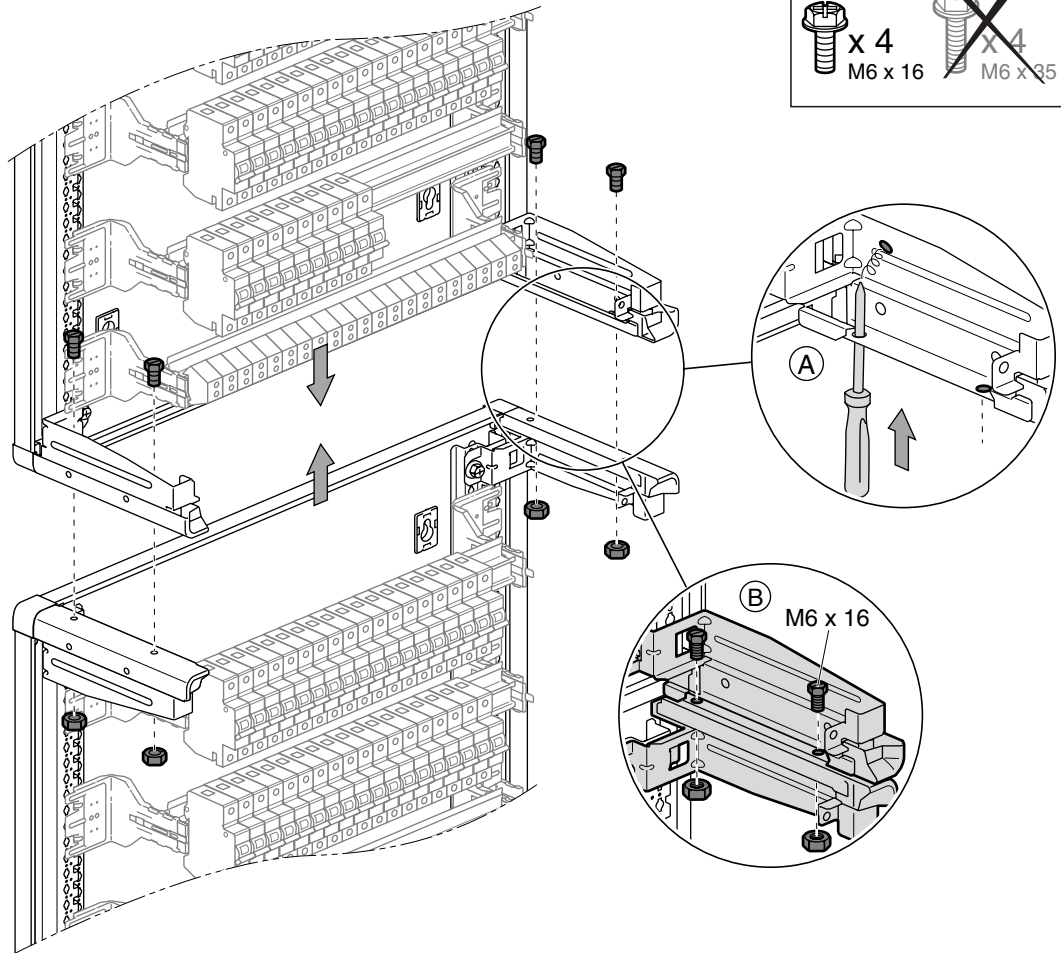


93000AFP

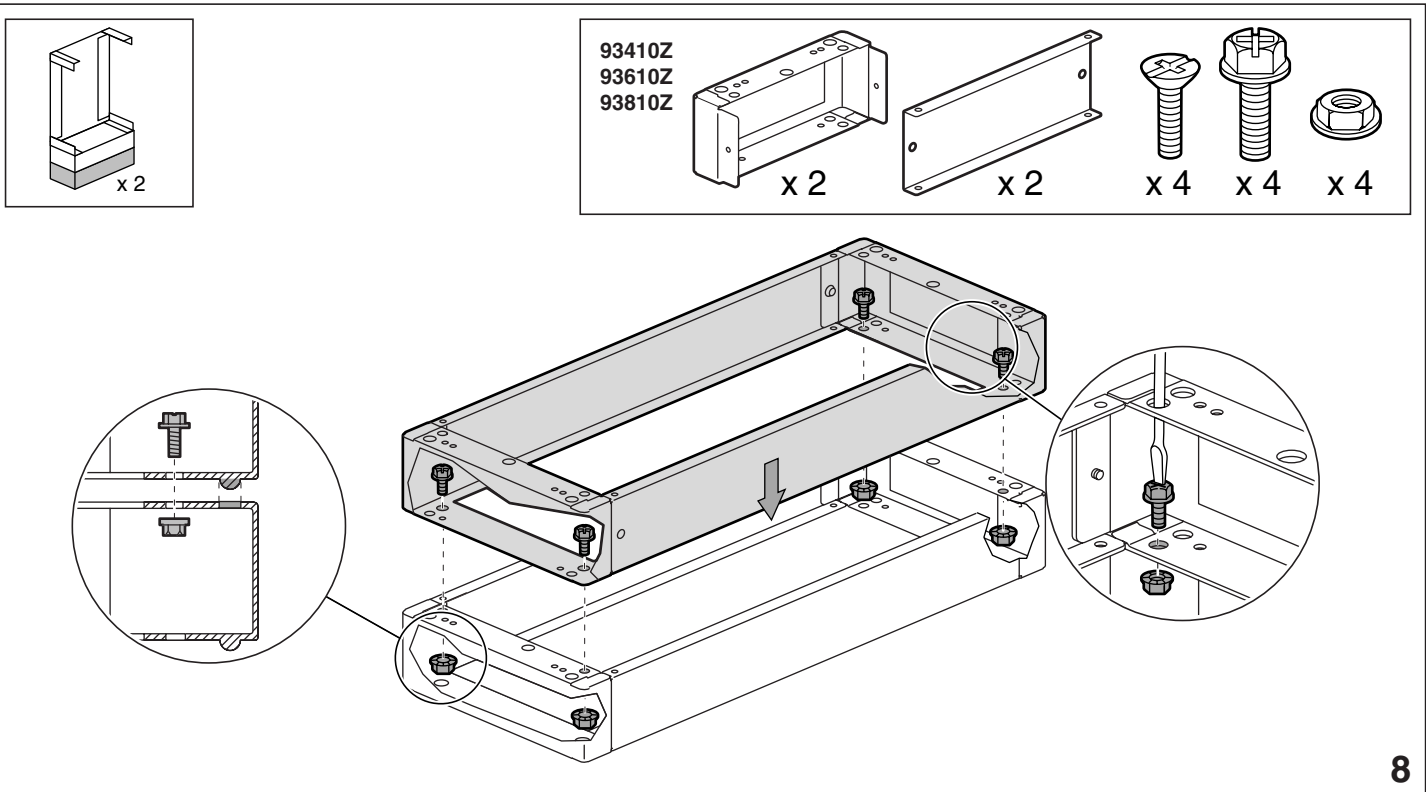
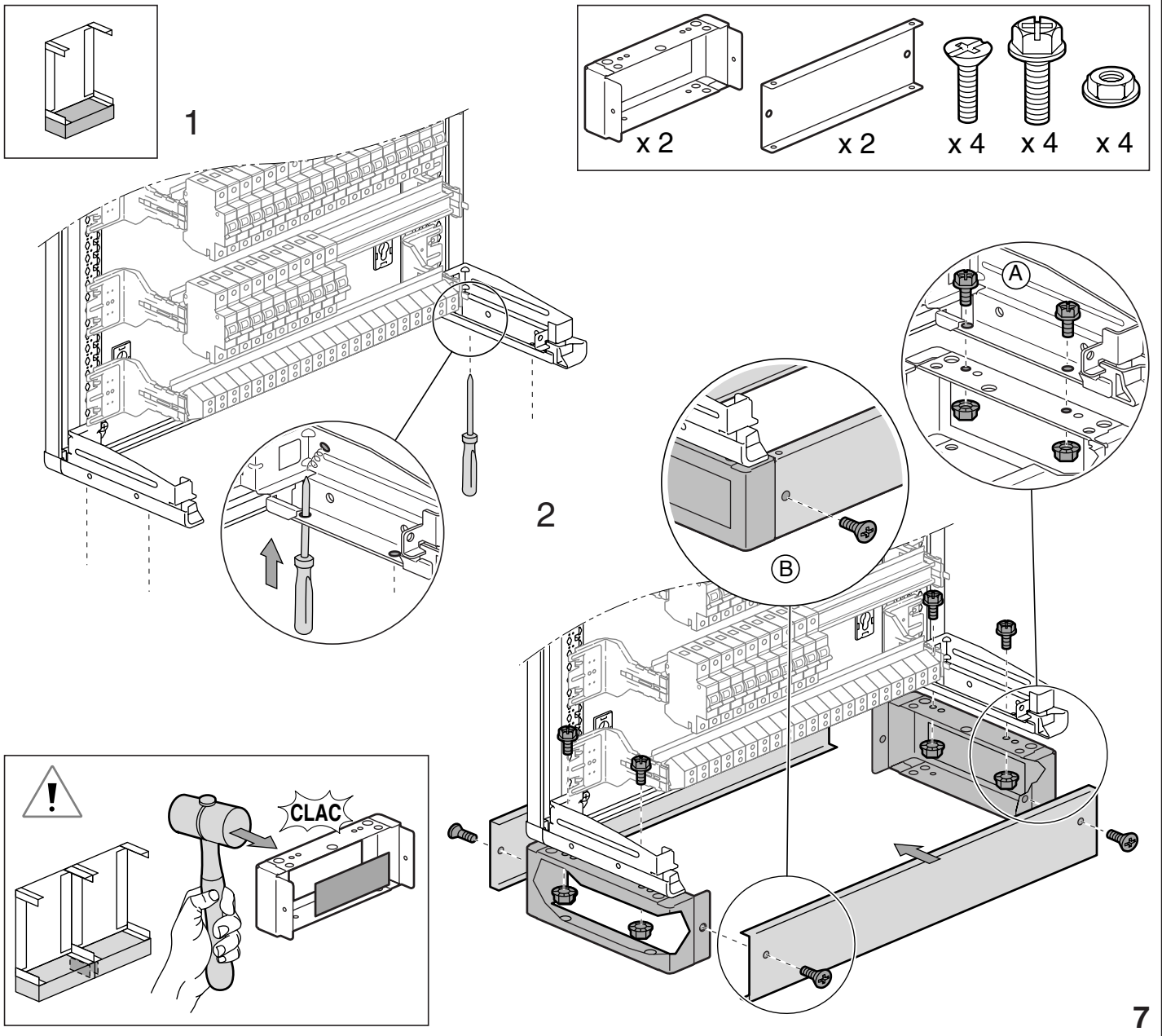
x 4
M6 x 16

~~x 4~~
M6 x 35

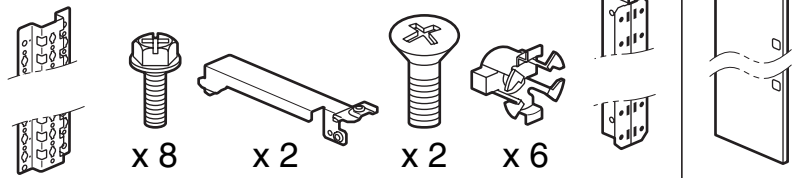
x 4



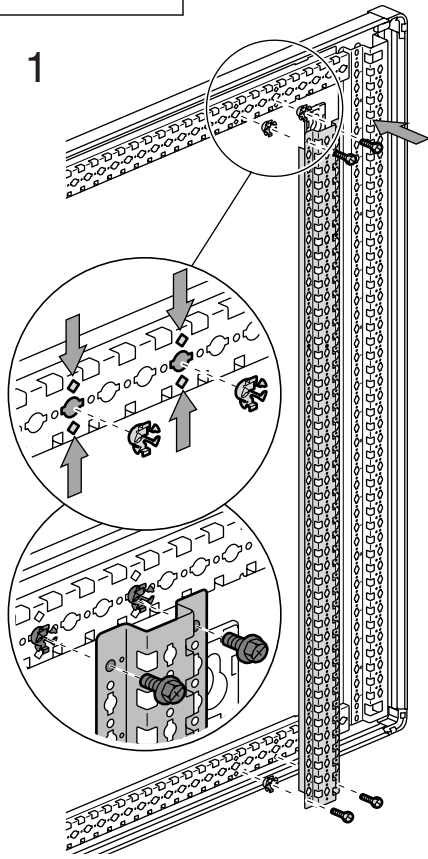
6



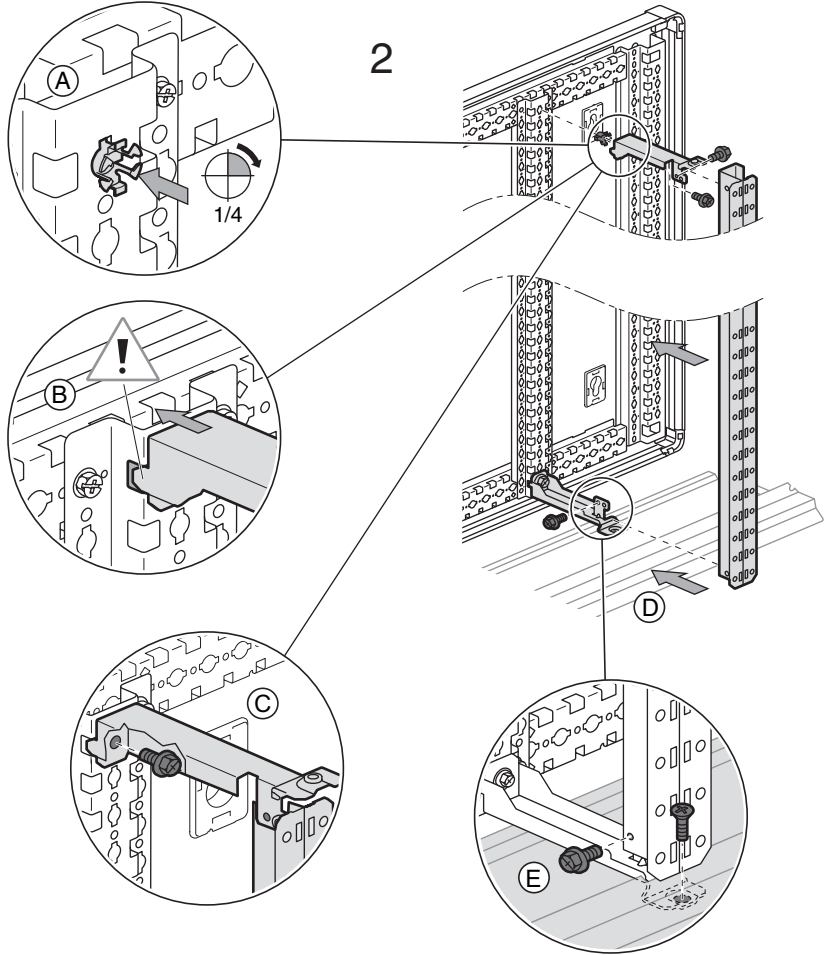
93050B 93060B 93070B
93080B 93090B 93090B/10



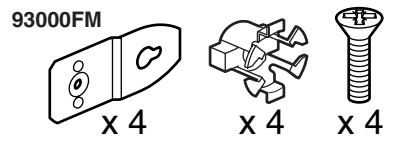
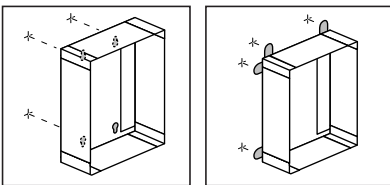
1



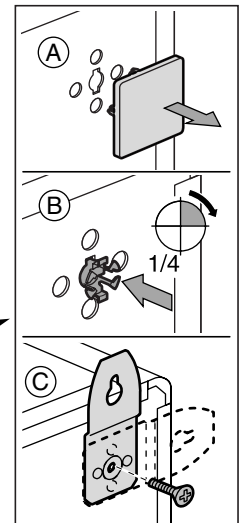
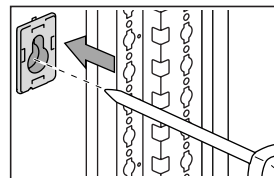
2



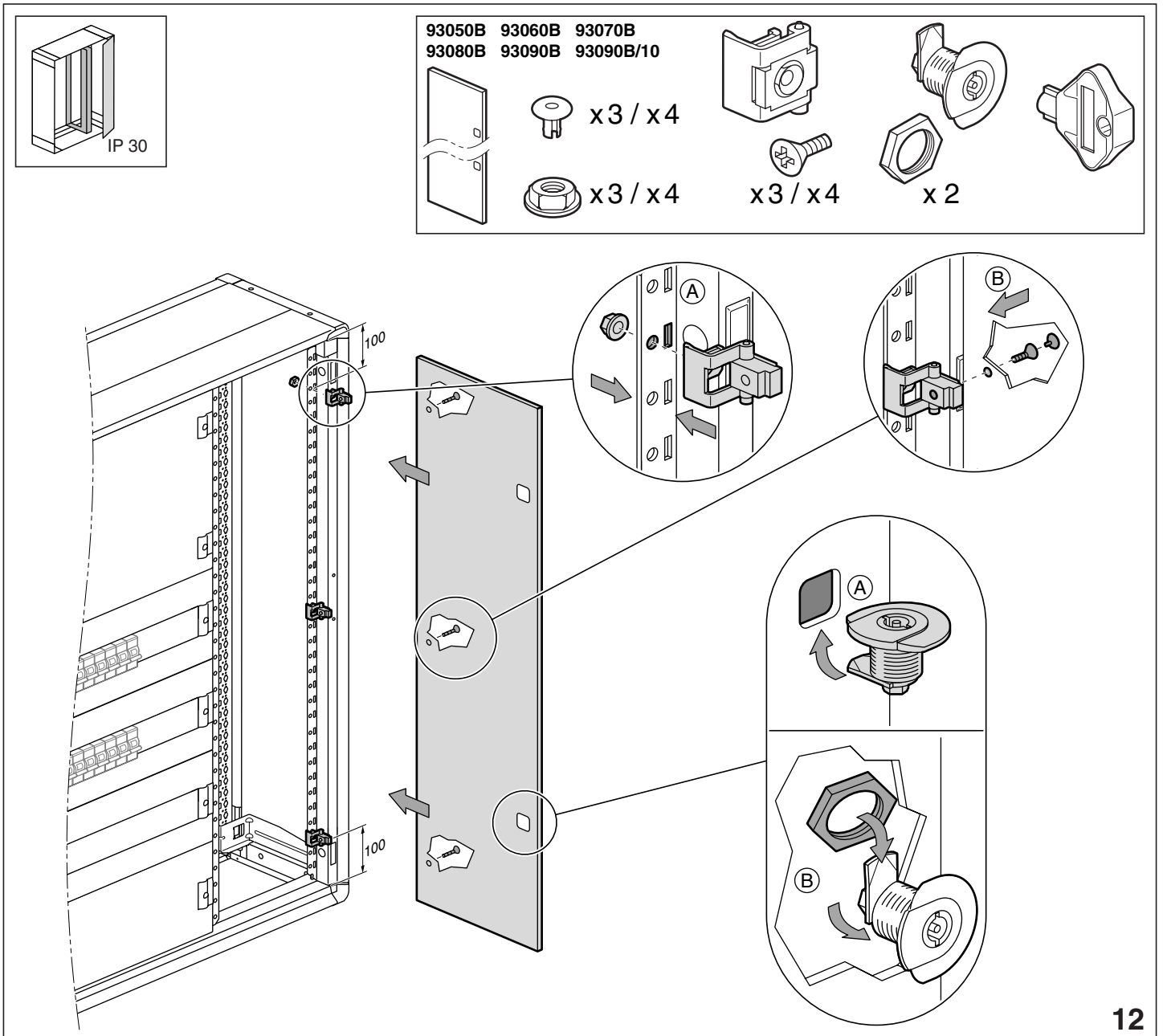
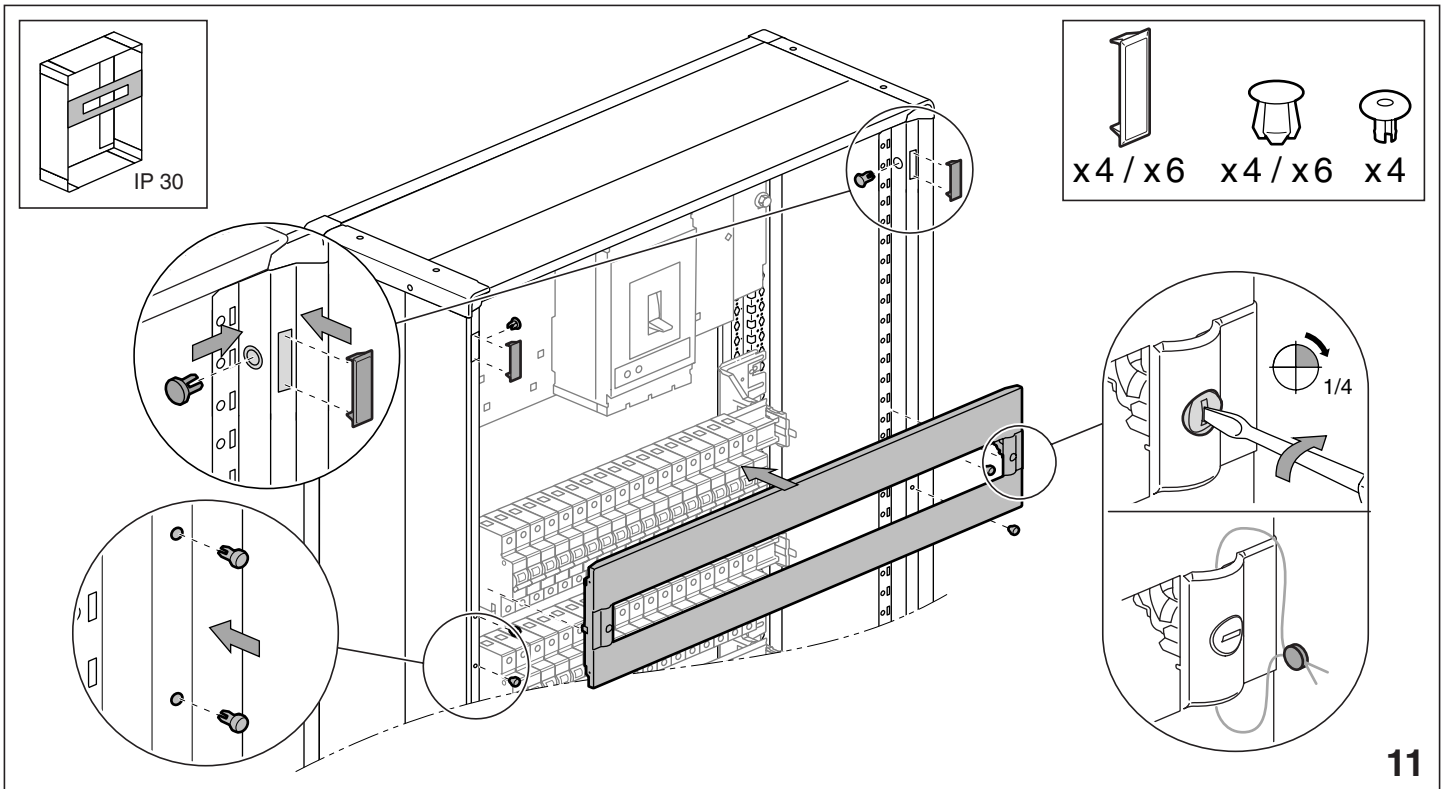
9

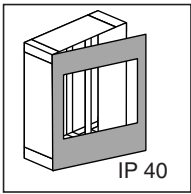


	A = 415	A = 415	A = 665
	B = 245	B = 245	
	C = 215	C = 215	
	D = 560	D = 560	D = 810
	E = 100	E = 100	
	F = 360	F = 360	
	G = 710	G = 1170	G = 960



10





IP 40

