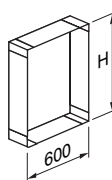
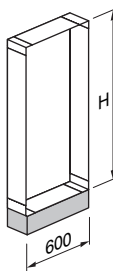
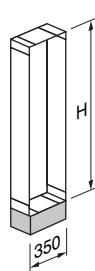
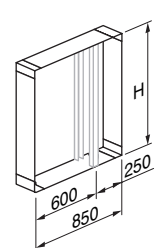
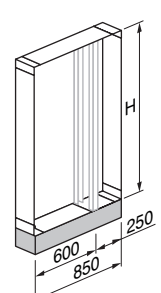
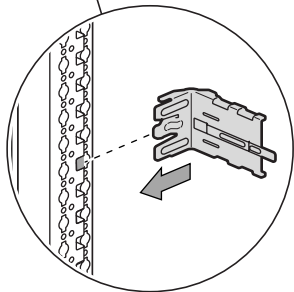
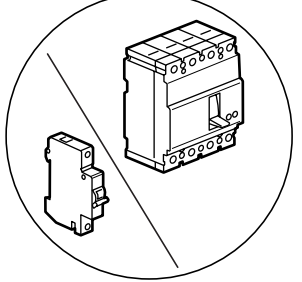
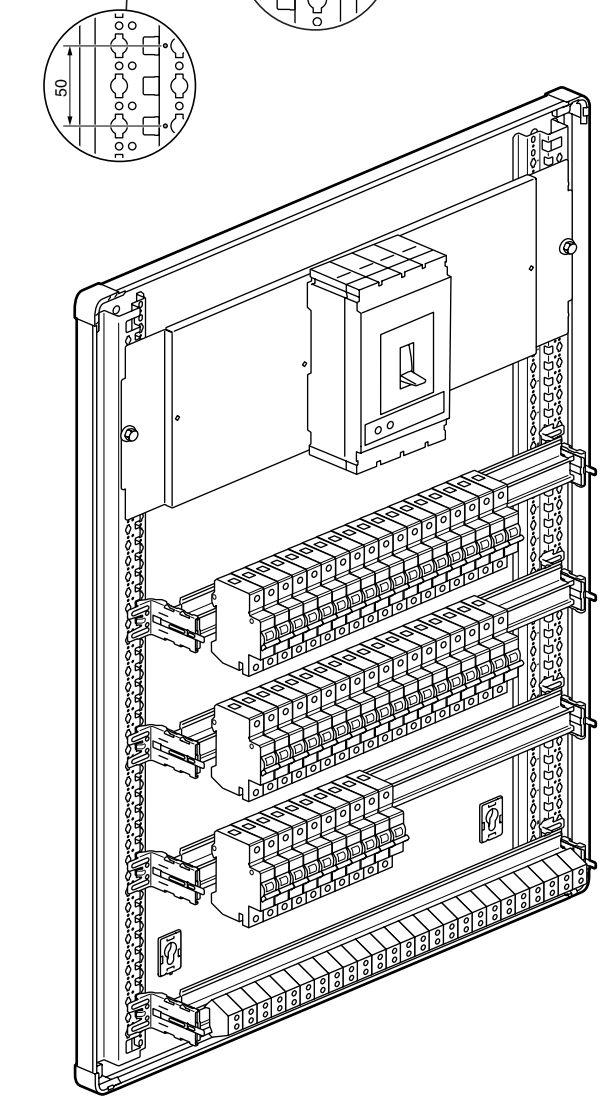
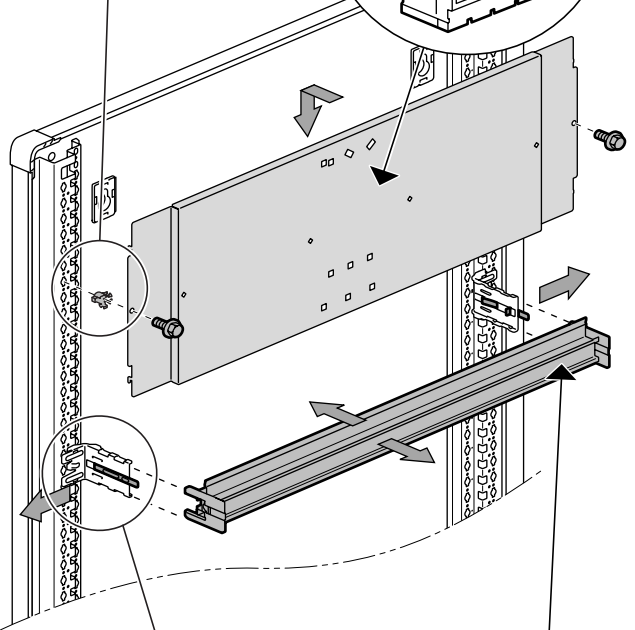
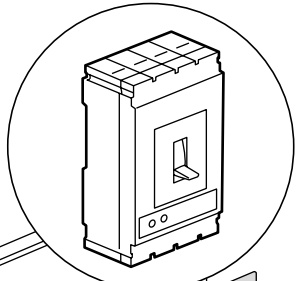
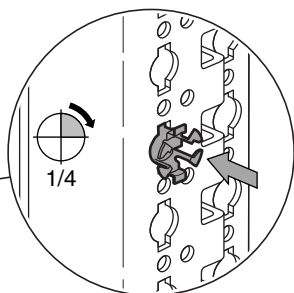
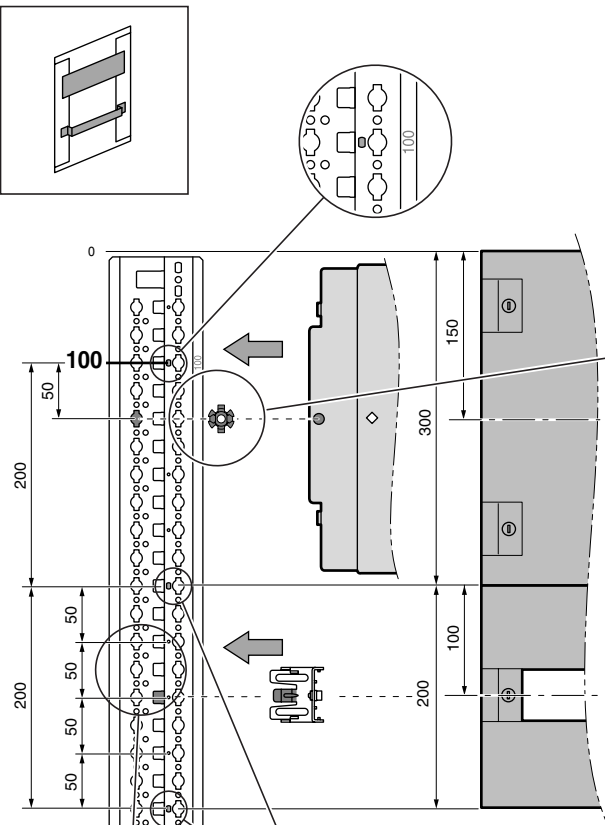
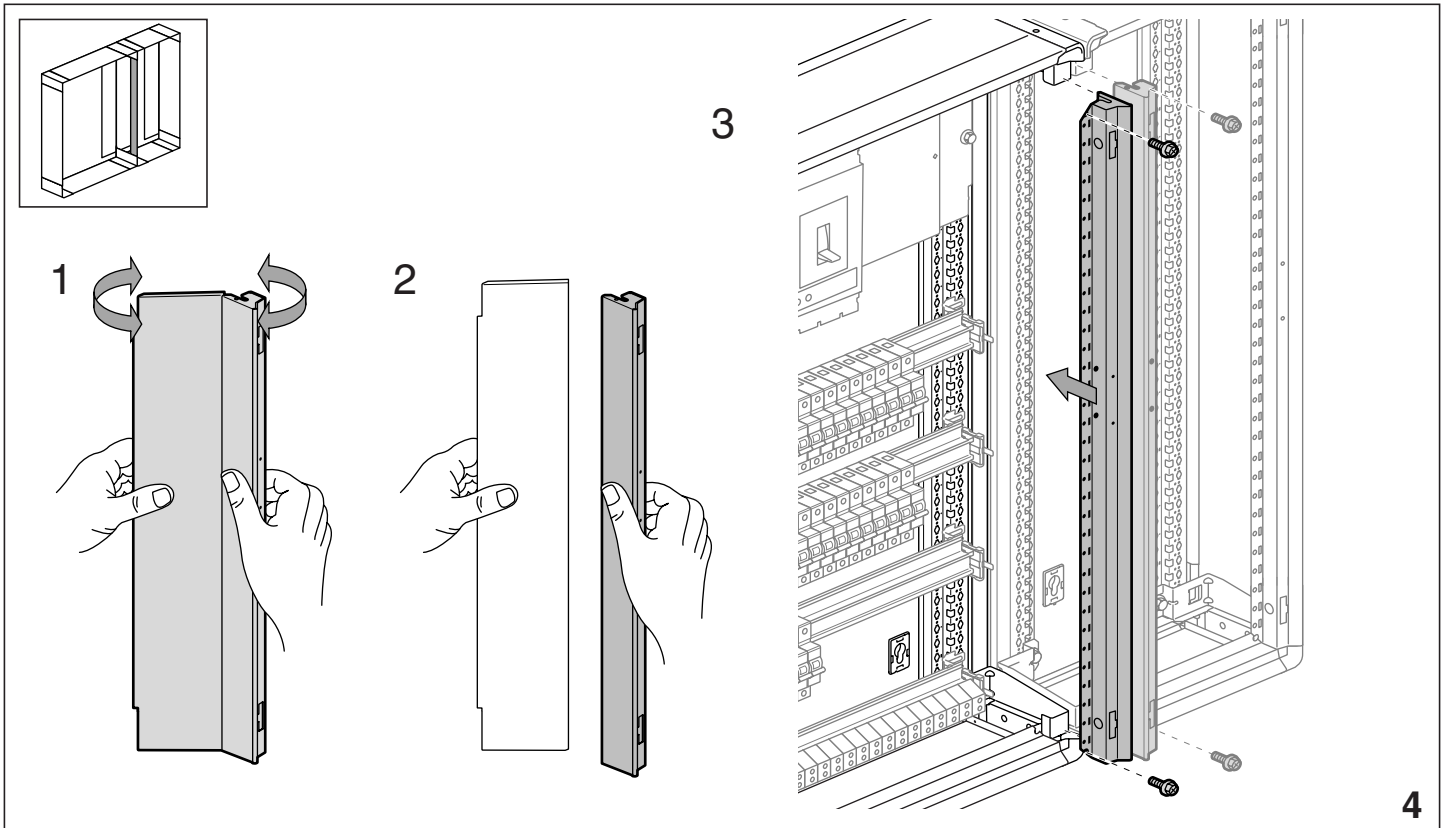
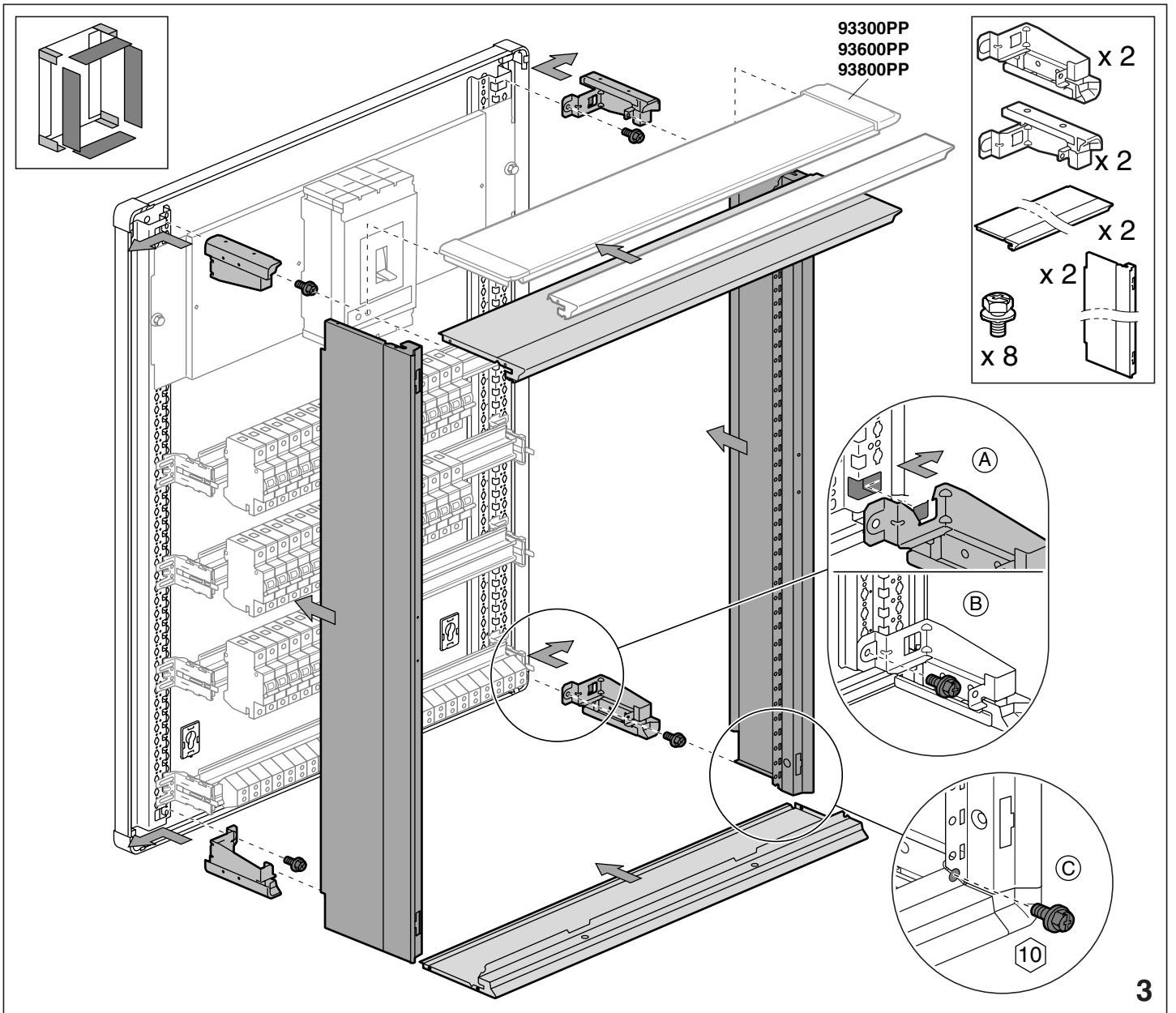
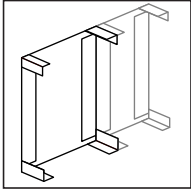


1

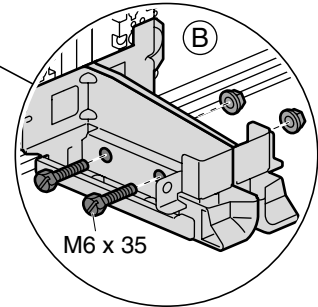
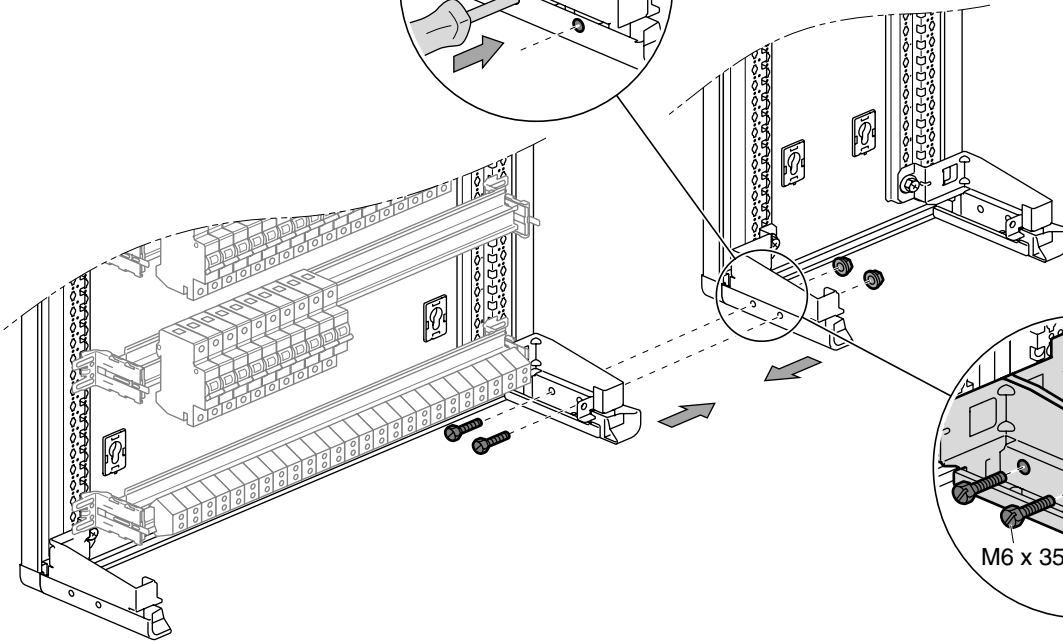
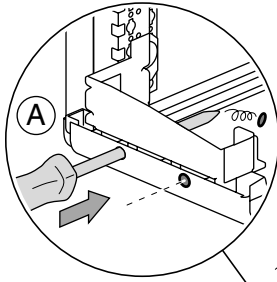
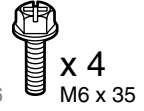
									
H (mm)	art.	H (mm)	art.	H (mm)	art.	H (mm)	art.	H (mm)	art.
600	93630Q								
800	93640Q								
1000	93650Q					1000	93850Q		
1200	93660Q					1200	93860Q		
		1400	93670Q	1400	93370QBE			1400	93870Q
		1600	93680Q	1600	93380QBE			1600	93880Q
		1800	93690Q	1800	93390QBE			1800	93890Q
		2000	93690Q/10	2000	93390QBE/10			2000	93890Q/10



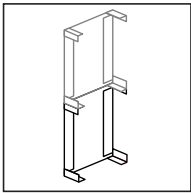




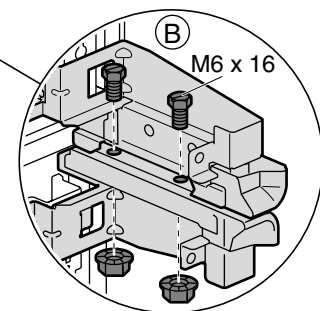
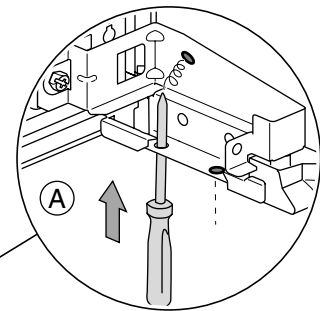
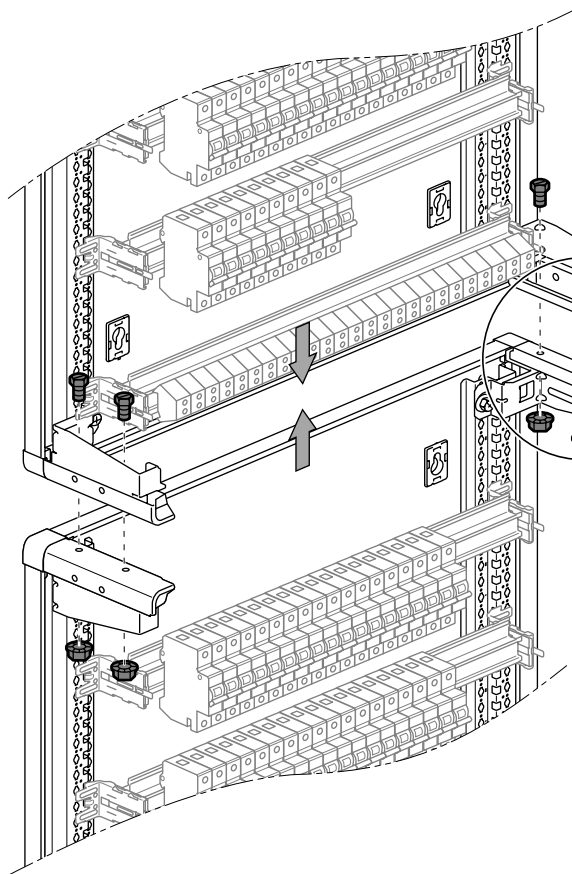
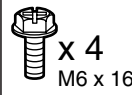
93000AFP



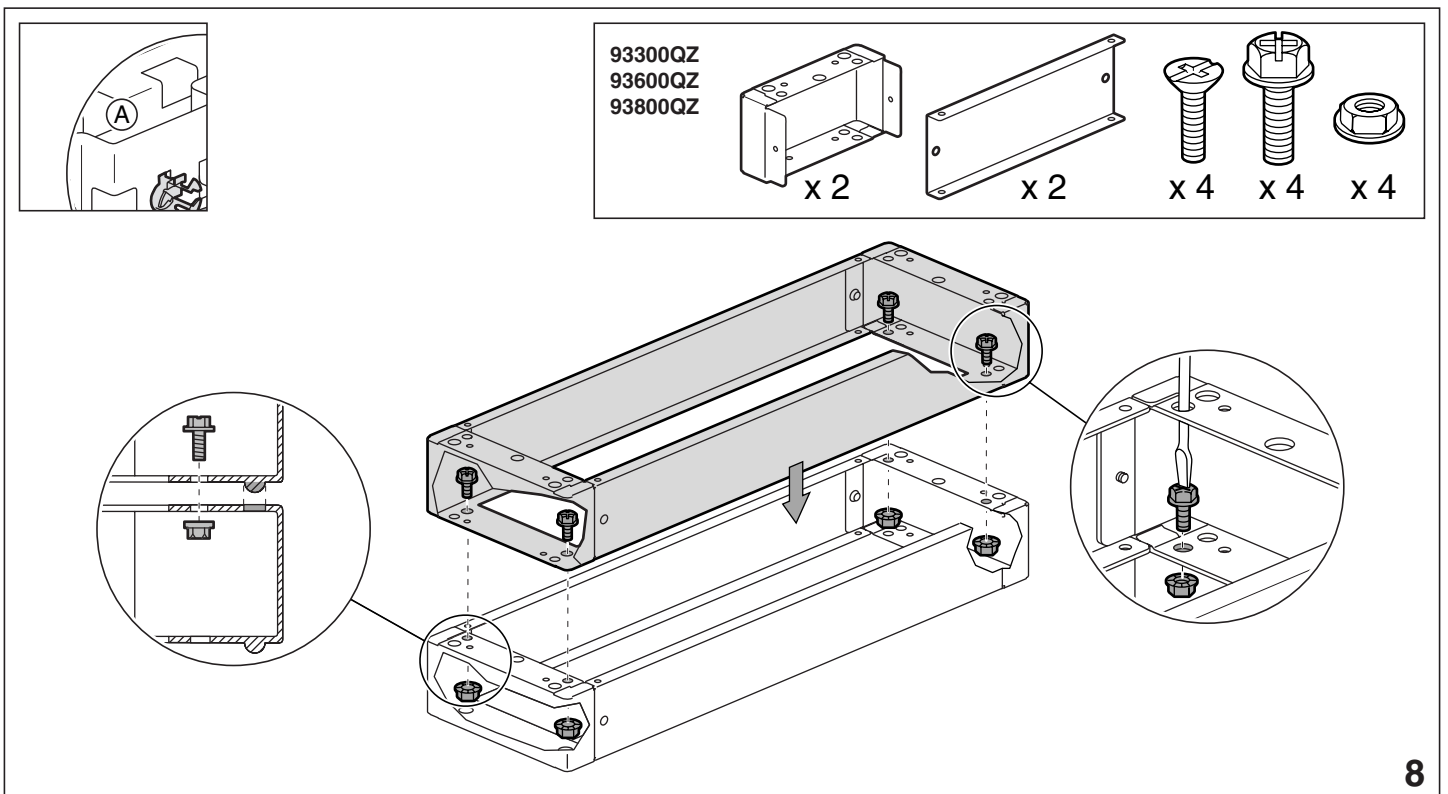
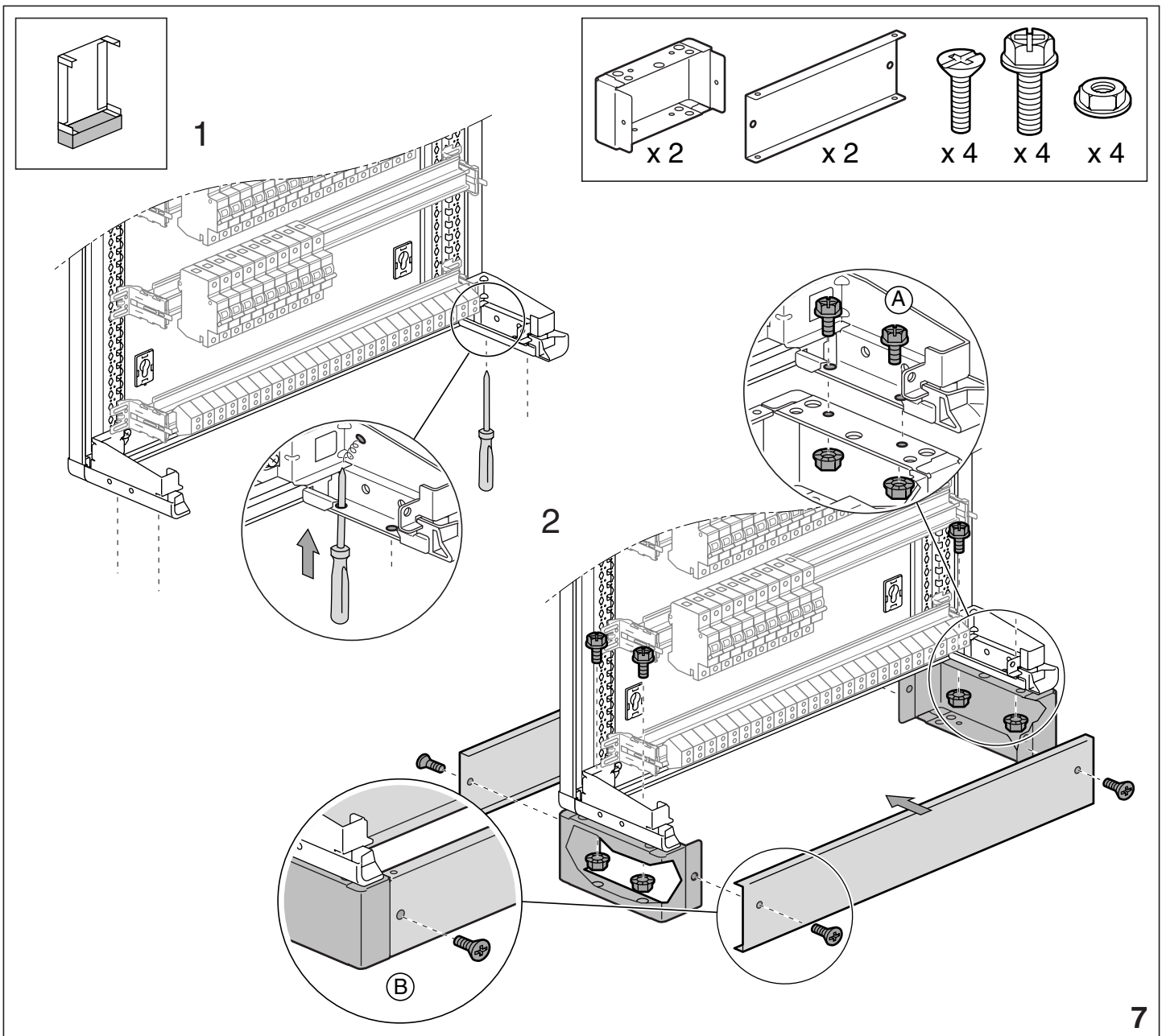
5



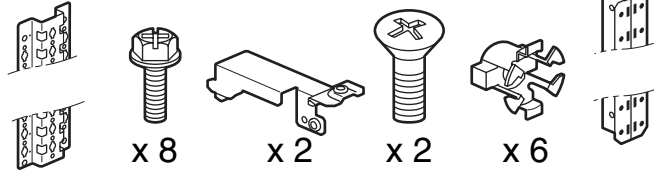
93000AFP



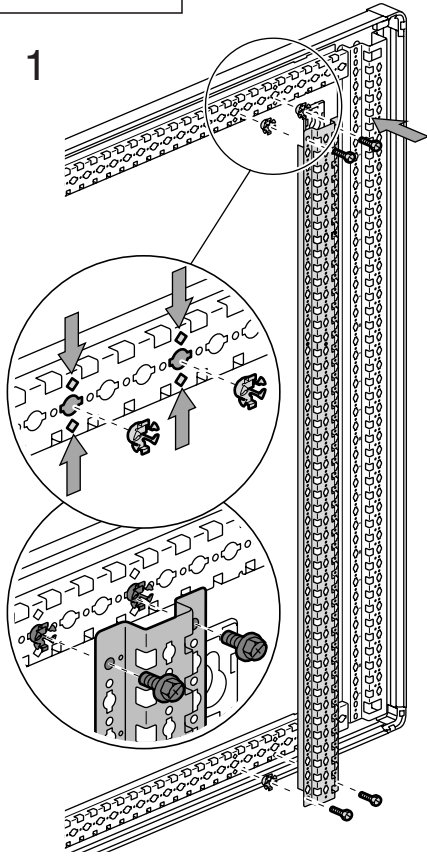
6



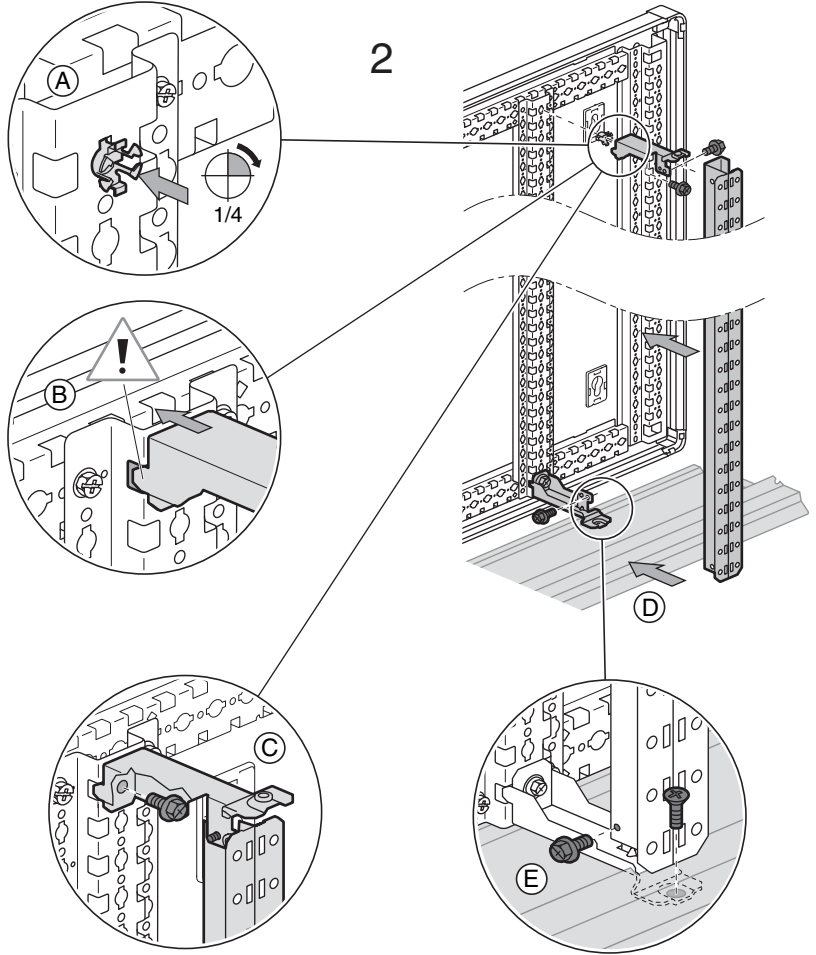
93050QB 93060QB 93070QB
93080QB 93090QB 93090QB/10



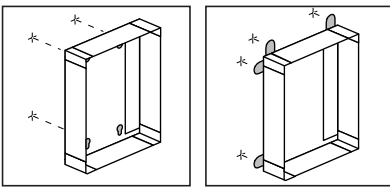
1



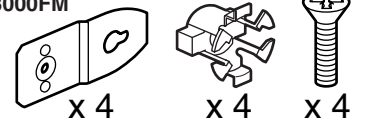
2



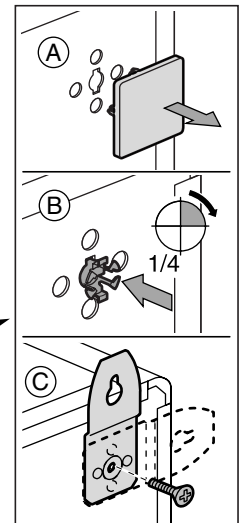
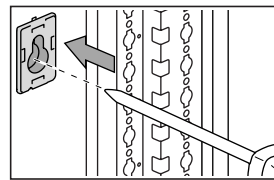
9



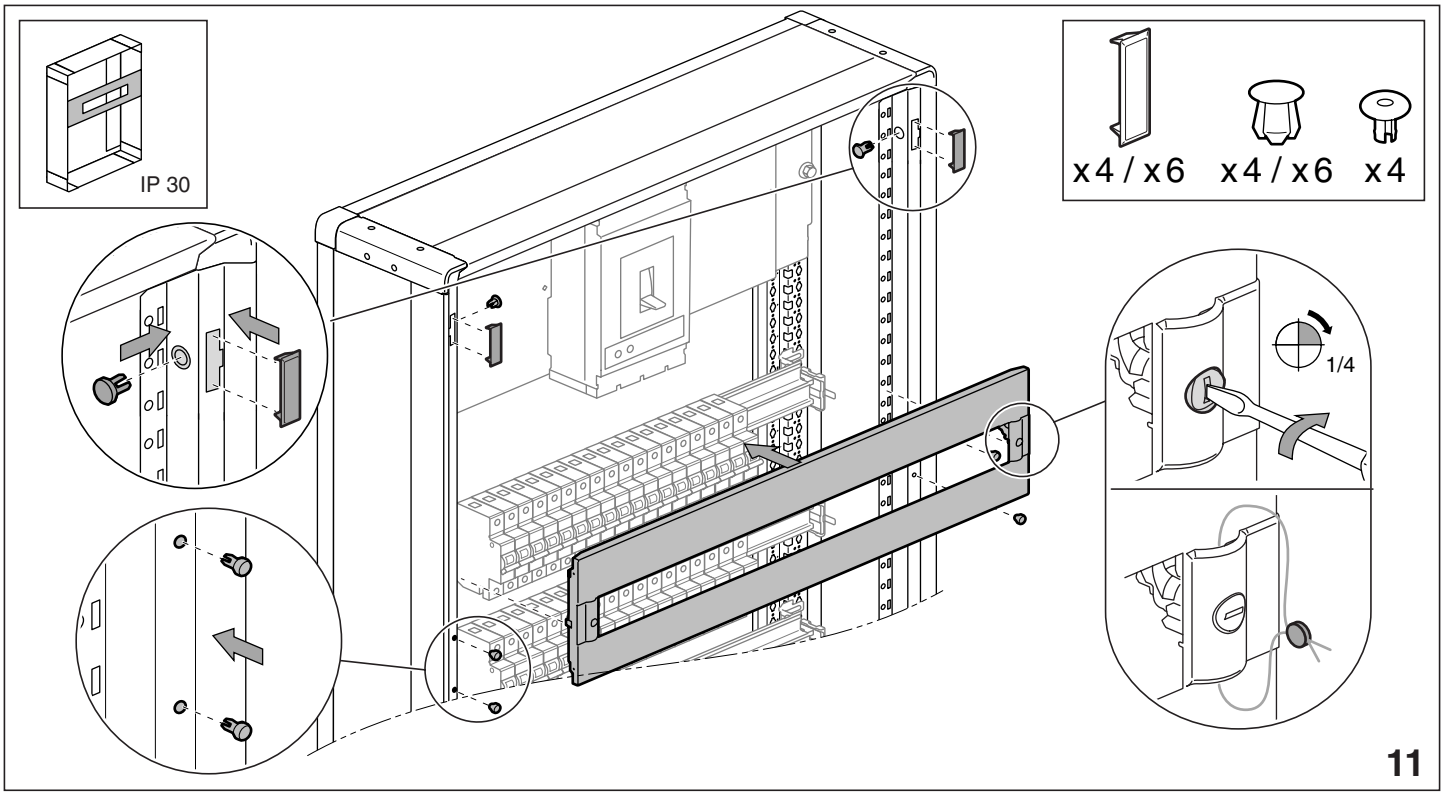
93000FM



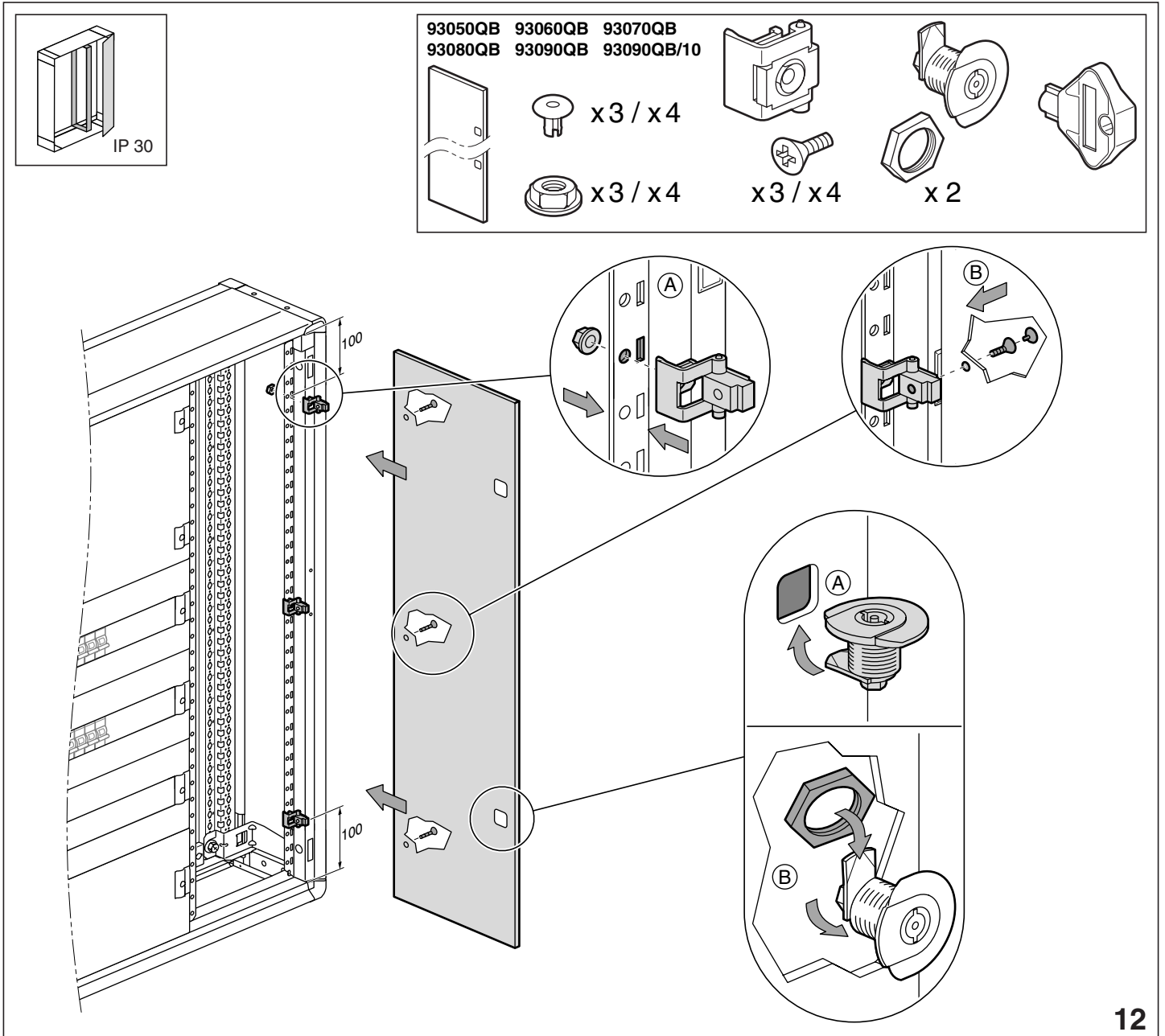
	A = 415	A = 415 B = 245 C = 165	A = 665
	D = 560	D = 560 E = 100 F = 310	D = 810
	G = 710	G = 1120	G = 960



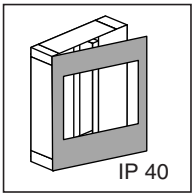
10



11



12



IP 40

