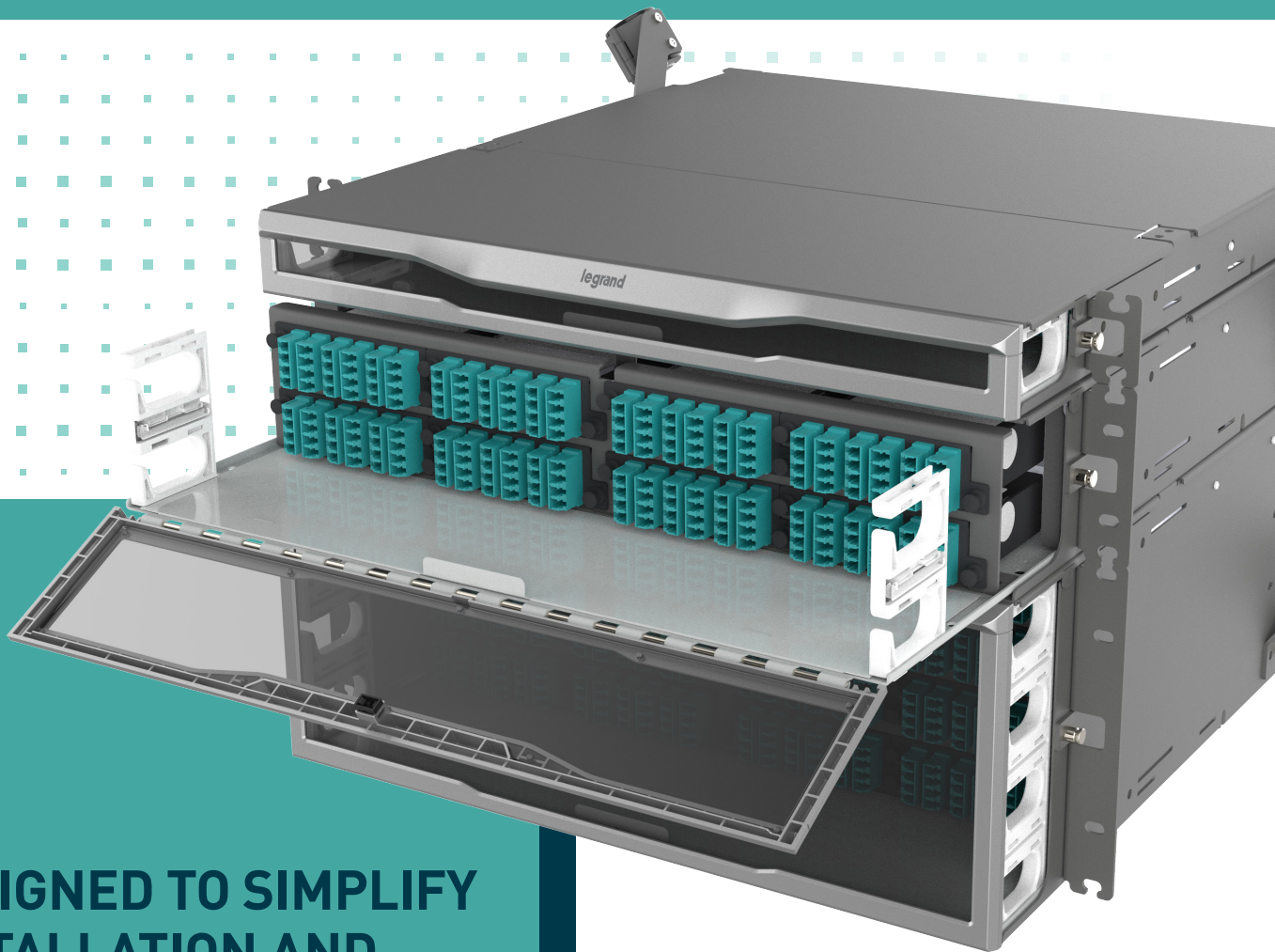


# INFINIUM™ HD

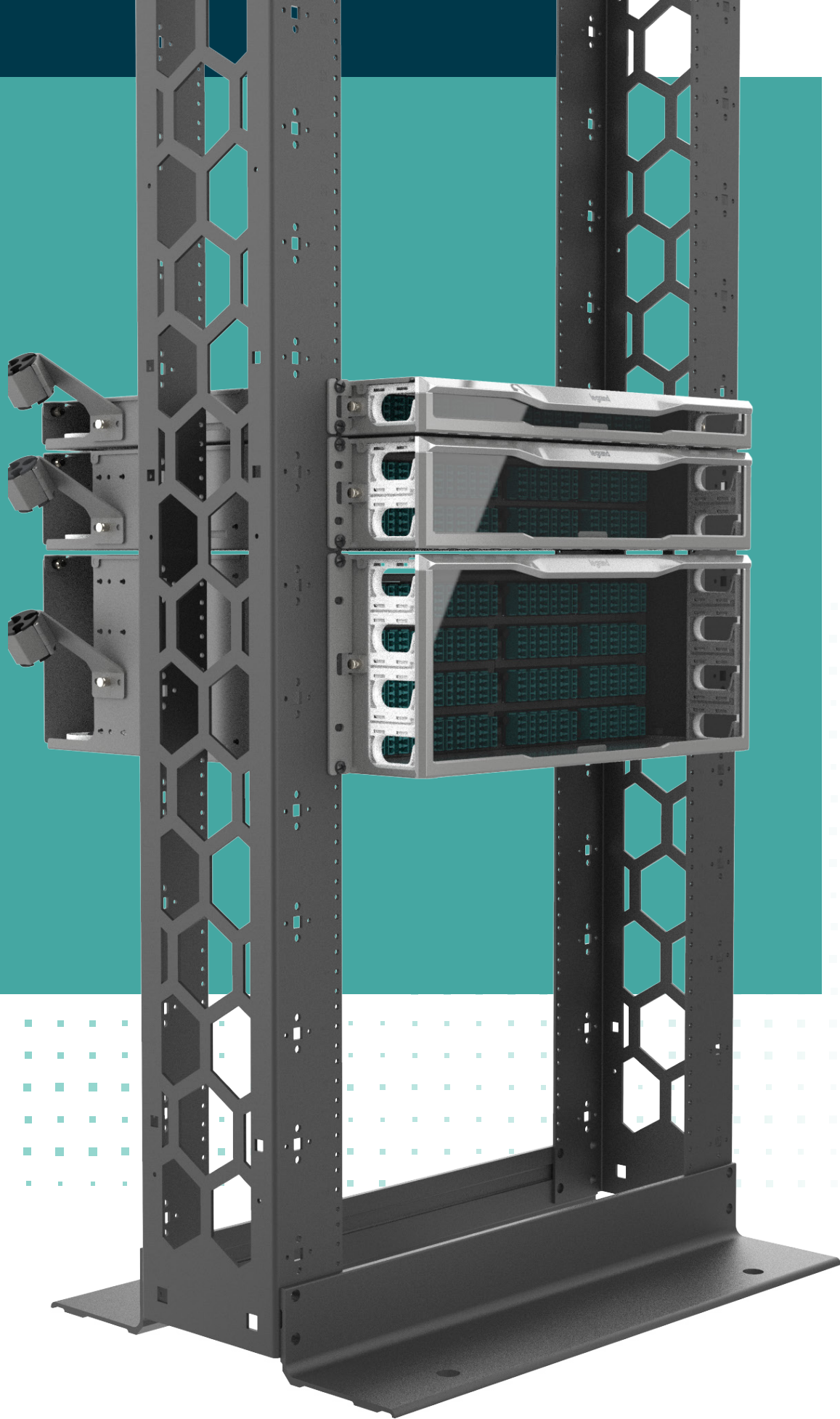
## ENHANCED FIBER ENCLOSURE



**DESIGNED TO SIMPLIFY  
INSTALLATION AND  
IMPROVE EXPERIENCE**

designed to be better.™





# DESIGNED TO GROW WITH THE NETWORK

## INFINIUM™ HD-E (ENHANCED) FIBER ENCLOSURE

The Infinium HD-E Fiber Enclosure is an ideal solution for fiber networks in data centers and building networks. The high-density footprint accommodates up to 96 LC fibers in 1U of rack space. This enclosure has many innovative features designed with the installer, contractor, and network professional in mind, providing a simplified process when installing or working within the enclosure.

- High Density, up to 96 LC connectors in 1U of rack space
- Available in 1U, 2U, and 4U
- Accommodates 4 mounting depth positions
- Magnetic door latch
- Versitial label card mounting locations (Door or Tray)
- Forward-sliding label card
- 60/40 split tool-less top cover
- Tool-less cable attachment arms
- Pivot arms for fiber slack management
- Magnesium color scheme



1U Enclosure

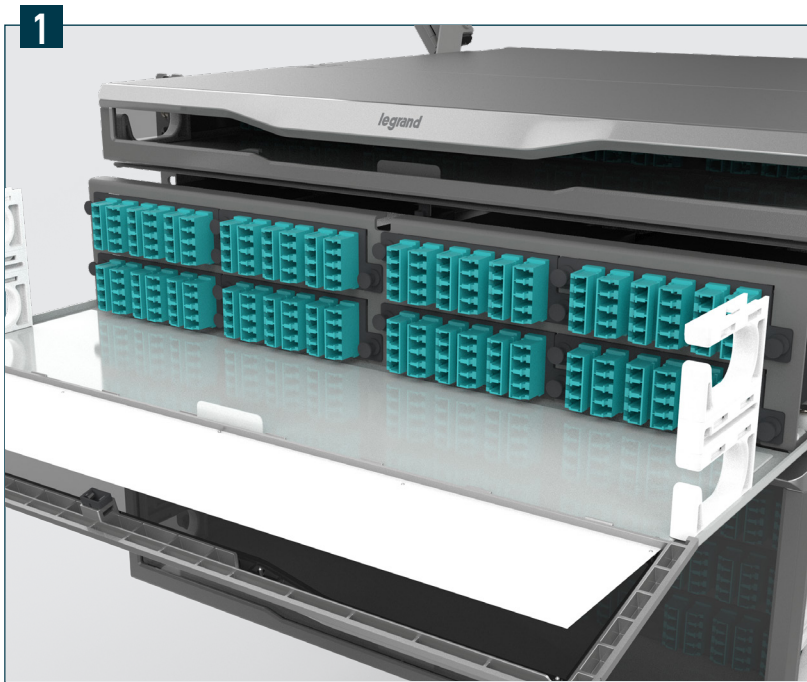


2U Enclosure



4U Enclosure

# FEATURES & BENEFITS



## 1 BETTER ACCESSIBILITY:

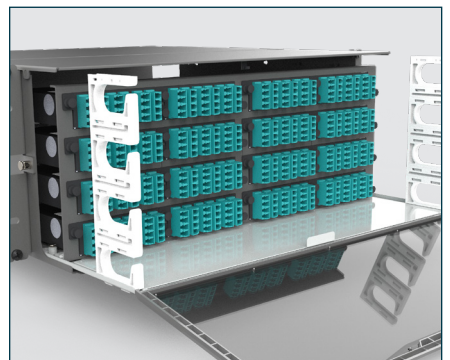
The magnetic latching mechanism of the enclosure door enables a simple one handed pull to open, and push to close access.

The enclosure door is attached to the sliding drawer face and tray allowing for easy clearance from equipment or other enclosures mounted below. A tray lock mechanism ensures that the tray stays in place when patching or dressing the fiber. The 60/40 split-top cover allows access from above and features tool-less removal.

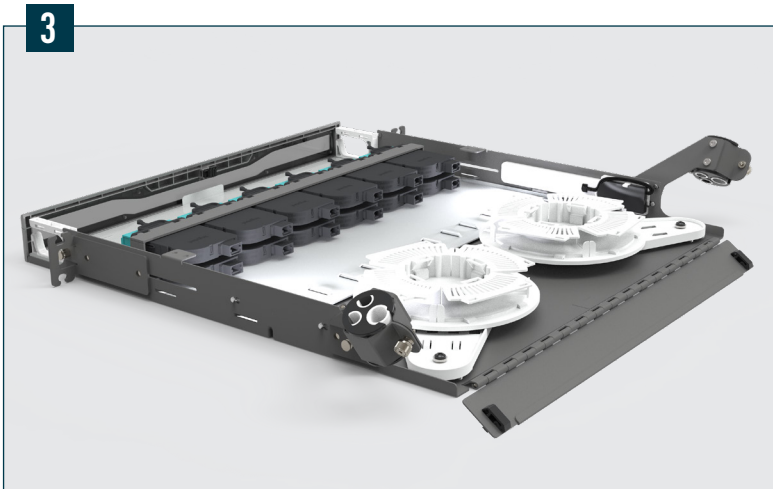
## 2

### INCREASED VISIBILITY:

A white tray in the front and integrated LED lighting in the rear, along with the split-top cover, provide maximum visibility when working within the enclosure.



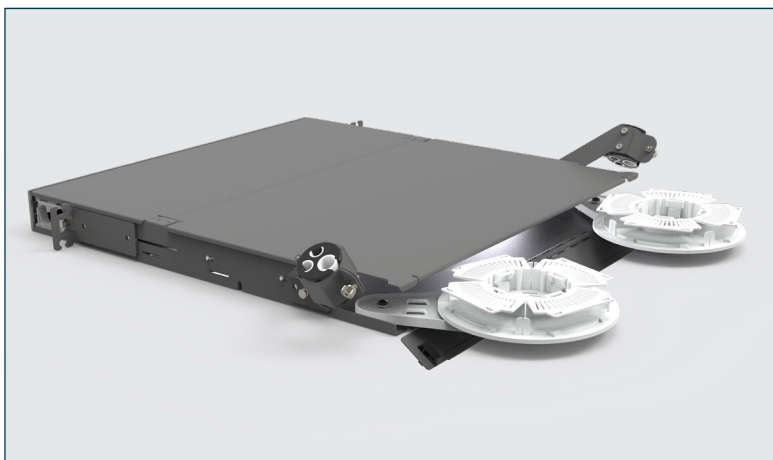




3

### INTUITIVE CABLE MANAGEMENT:

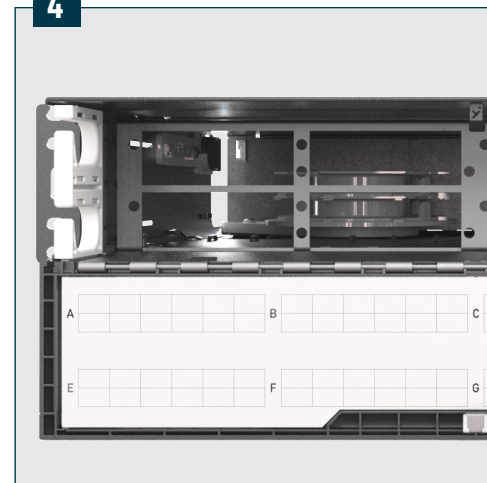
The unique pivot arms provide an innovative way to manage fiber slack storage. Each arm rotates out towards the rear of the enclosure and hosts a pivot disk that may be used with slack storage spools, fan-out kits, or attachment points for securing the Legrand HiLOC harness. The Cable Attachment brackets feature tool-less adjustments for location based on which direction the cable is routed - either side of the enclosure, top or bottom. Simply make the adjustment for cable routing, load the grommet around the cable(s) and close the attachment cover.



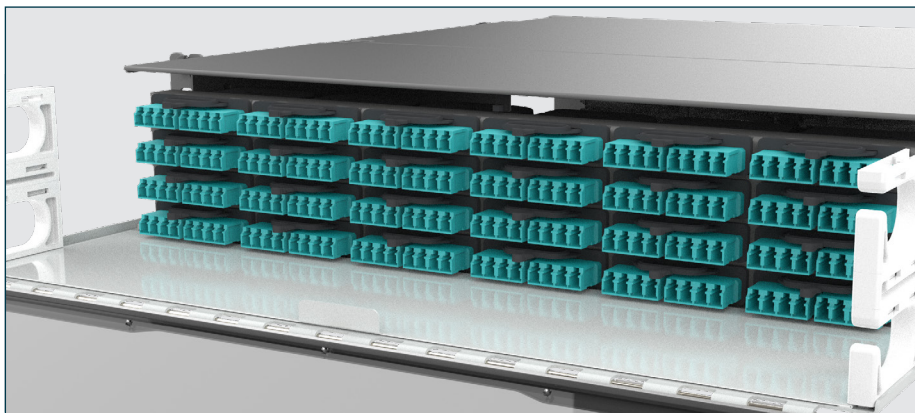
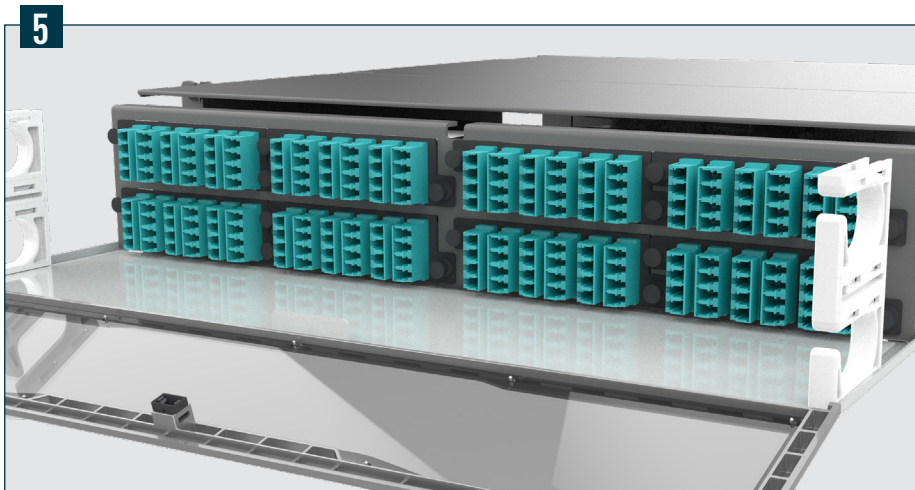
### 4 EASIER LABELING:

The label card is incorporated into the front door, positioning the labels directly below the ports for simple labeling and easy port identification. Templates created for both Brother and Dymo printers are available for download.

4



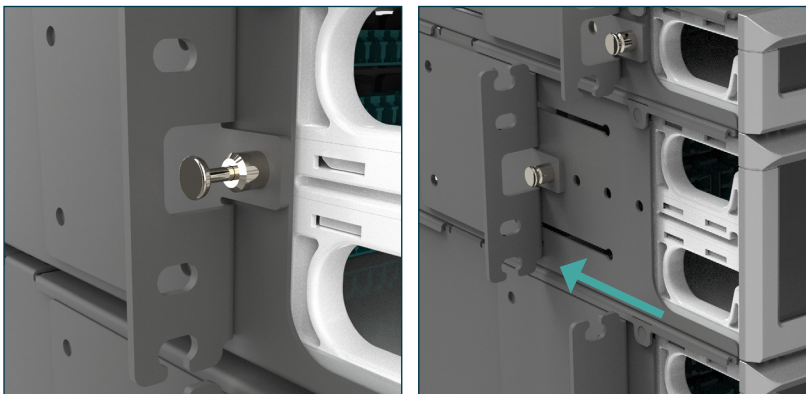
# FEATURES & BENEFITS



## 5 GREATER SCALABILITY:

The scalable jumper management allows layers of management to be added only when needed, making it easy to keep patch cords neatly organized.

The drawer faces are removable and replaceable allowing the enclosure to easily convert between standard LM4 and optional M8 cassette and adapter footprints. This allows the enclosure scalability to support increasing bandwidth and higher speed requirements that utilize different cables, cassettes, or adapters.



## 6 EASE OF INSTALLATION:

A single screwdriver is the only tool required for installing the enclosure in a rack. The mounting brackets with pin locks allow the enclosure to conveniently slide between 4 horizontal mounting positions.

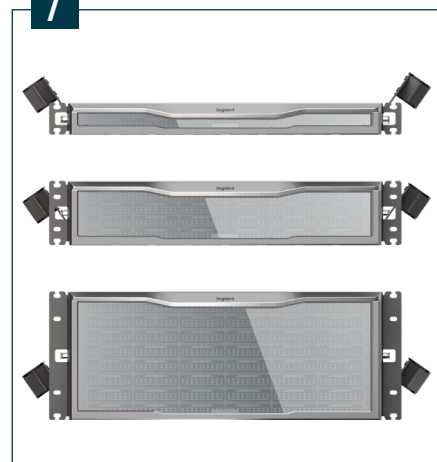
The open-ended design of the mounting brackets, allows the enclosure to be installed by one person. Simply pre-mount the rack screws at the proper location on the rack, place the enclosure's mounting brackets on the pre-mounted screws to hold it in place, then tighten the screws.

## 7

### BEAUTIFUL AESTHETICS:

This enclosure features sleek styling that matches the design of Legrand racks, cabinets and other data center products and solutions, and a magnesium color scheme that fits in all data center environments.

## 7



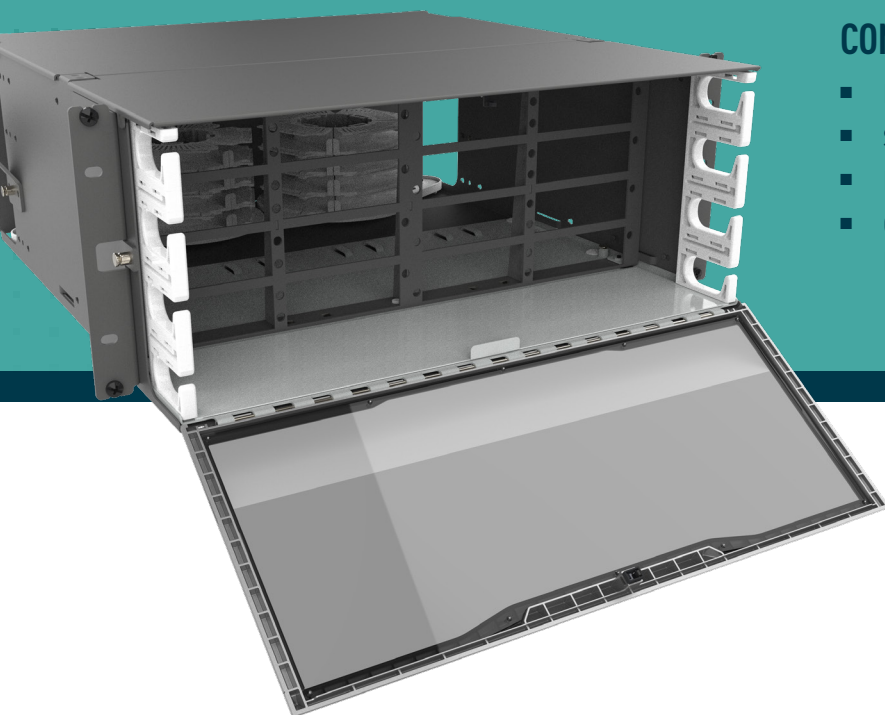
# INFINIUM™ HD-E ENCLOSURE

Each enclosure is sold as a complete solution including drawer face, cable attachment, LED lights, label card, top cover, pivot arms and disks, jumper management, and grommets.

## ENCLOSURE FOR TRADITIONAL DATA CENTER AND BUILDING NETWORK APPLICATIONS (M4 DRAWER FACE):

These enclosures come preconfigured with an M4 drawer face.

ITEM NUMBER	DESCRIPTION
INFC01U-M4-E	1U Infinium HD-E, Includes M4 Drawer Face
INFC02U-M4-E	2U Infinium HD-E, Includes M4 Drawer Face
INFC04U-M4-E	4U Infinium HD-E, Includes M4 Drawer Face



### COMPATIBILITY:

- M4 Cassettes
- Splice Cassettes
- HDFP Adapter Panels
- Optional M8 Drawer Face Replacement

**INFC04U-M4-E:**  
4U Enclosure with M4 Drawer Face



# M4 DRAWER FACE COMPATIBLE CASSETTES

## LM4 CASSETTES FOR DATA CENTER AND BUILDING NETWORK APPLICATIONS:

These high-density cassettes fit within the M4 drawer face and contain either 8, 12, 16 or 24 fibers. The cassettes breakout single or dual MPO connections in the rear to LC duplex or quad connections in the front. The cassettes are available in either single-mode (OS2) or multimode (OM4 and OM5) fiber types, and feature plunger/grommet fasteners for installation.

<b>Infinium Quantum®</b>	<b>Total Channel Connection Loss: SM 0.75 dB; MM 0.75 dB / Total Channel Connection Return Loss: SM 49 dB; MM 34 dB</b>
<b>LM4-LC12J-1A3UN</b>	Infinium Quantum M4 Cassette, 12 Fiber, LC Duplex to MTP(M), OS2, Universal Polarity
<b>LM4-LC24J-2A3UN</b>	Infinium Quantum M4 Cassette, 24 Fiber, LC Quad to 2 MTP(M), OS2, Universal Polarity
<b>LM4-LC12H-1A4UN</b>	Infinium Quantum M4 Cassette, 12 Fiber, LC Duplex to MTP(M), OM4, Universal Polarity
<b>LM4-LC24H-2A4UN</b>	Infinium Quantum M4 Cassette, 24 Fiber, LC Quad to 2 MTP(M), OM4, Universal Polarity
<b>Infinium Ultra®</b>	<b>Total Channel Connection Loss: SM 1.2 dB; MM 1.0 dB / Total Channel Connection Return Loss: SM 49 dB; MM 19 dB</b>
<b>LM4-LC12J-1A2UN</b>	Infinium Ultra M4 Cassette, 12 Fiber, LC Duplex to MTP(M), OS2, Universal Polarity
<b>LM4-LC24J-2A2UN</b>	Infinium Ultra M4 Cassette, 24 Fiber, LC Quad to 2 MTP(M), OS2, Universal Polarity
<b>LM4-LC12H</b>	Infinium Ultra M4 Cassette, 12 Fiber, LC Duplex to MTP(M), OM4, Universal Polarity
<b>LM4-LC24H</b>	Infinium Ultra M4 Cassette, 24 Fiber, LC Quad to 2 MTP(M), OM4, Universal Polarity
<b>Infinium Core®</b>	<b>Total Channel Connection Loss: SM 2.1 dB; MM 2.5 dB / Total Channel Connection Return Loss: SM 49 dB; MM 19 dB</b>
<b>LM4-LC12J</b>	Infinium Core M4 Cassette, 12 Fiber, LC Duplex to MTP(M), OS2, Universal Polarity
<b>LM4-LC24J</b>	Infinium Core M4 Cassette, 24 Fiber, LC Quad to 2 MTP(M), OS2, Universal Polarity
<b>LM4-LC12H-1A1UN</b>	Infinium Core M4 Cassette, 12 Fiber, LC Duplex to MTP(M), OM4, Universal Polarity
<b>LM4-LC24H-2A1UN</b>	Infinium Core M4 Cassette, 24 Fiber, LC Quad to 2 MTP(M), OM4, Universal Polarity

\* For optimum performance Cassettes must be paired with like patch cords and trunks.  
For more information visit, [www.legrand.us/IQ](http://www.legrand.us/IQ)

\*For the full list of our LM4 Cassettes visit, [www.legrand.us/infinium-hd](http://www.legrand.us/infinium-hd)



# M4 DRAWER FACE COMPATIBLE CASSETTES

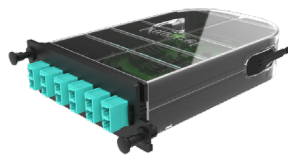
## SPLICE CASSETTES:

These high-density splice cassettes fit within the M4 drawer face and enable fast field termination and provide cable management within the cassette housing. They contain either 12 or 24 fibers for use with multimode OM3 or single-mode OS2 fiber types. The front of the cassettes offers LC duplex, LC quad or SC duplex ports. The cassettes feature a laser cleaved pigtail from the factory and support fusion splicing of individual or ribbon fibers, with heat shrinks, pigtail slack, and cable slack managed within the cassette itself.

ITEM NUMBER	DESCRIPTION
M4LCD12-09S1A1	M4 Infinium Core Splice Cassette, 12 Fiber, LC Duplex, OS2
M4LAD12-09S1A1	M4 Infinium Core Splice Cassette, 12 Fiber, LC Angled Duplex, OS2
M4LCD12-50ES3A1	M4 Infinium Ultra Splice Cassette, 12 Fiber, LC Duplex, OM3 Tier 3
M4LCQ24-09R1A1	M4 Infinium Core Splice Cassette, 24 Fiber, LC Quad, OS2
M4LAQ24-09R1A1	M4 Infinium Core Splice Cassette, 24 Fiber, LC Angled Quad, OS2
M4LCQ24-50ER3A1	M4 Infinium Ultra Splice Cassette, 24 Fiber, LC Quad, OM3 Tier 3
M4SCD12-09S1A1	M4 Infinium Core Splice Cassette, 12 Fiber, SC Duplex, OS2
M4SAD12-09S1A1	M4 Infinium Core Splice Cassette, 12 Fiber, SC Angled Duplex, OS2
M4SCD12-50ES3A1	M4 Infinium Ultra Splice Cassette, 12 Fiber, SC Duplex, OM3 Tier 3



M4LCQ24-09R1



M4LCD12-50ES3A1



M4LAQ24-09R1A1

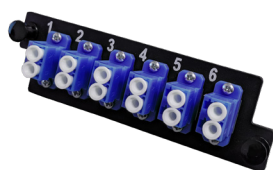
# M4 DRAWER FACE COMPATIBLE ADAPTER PANELS

## HDFP ADAPTER PANELS:

These high-density panels fit within the M4 drawer face and provide a pass-through connection with LC duplex, LC quad, Keyed LC duplex, or MPO ports and feature plunger/grommet fasteners.

ITEM NUMBER	DESCRIPTION
<b>HDFP-LCD12AC</b>	HDFP Adapter Panel, 12 Fiber, LC Dup, Blue, OS2
<b>HDFP-LCD12CC</b>	HDFP Adapter Panel, 12 Fiber, LC Angled Dup, Green, OS2
<b>HDFP-LCD12LC</b>	HDFP Adapter Panel, 12 Fiber, LC Dup, Aqua, OM3
<b>HDFP-LCQ24AC</b>	HDFP Adapter Panel, 24 Fiber, LC Dup, Blue, OS2
<b>HDFP-LCQ24LC</b>	HDFP Adapter Panel, 24 Fiber, LC Dup, Aqua, OM3
<b>HDFP-BLANK</b>	HDFP Adapter Panel, Blank

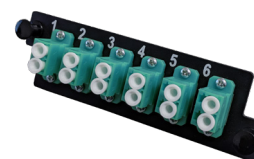
\*For the full list of our HDFP Adapter Panels please visit, [www.legrand.us/ortronics/infinium-hd-enclosure](http://www.legrand.us/ortronics/infinium-hd-enclosure)



**HDFP-LCD12AC**



**HDFP-LCD12CC**



**HDFP-LCD12LC**



**HDFP-LCQ24AC**



**HDFP-LCQ24LC**



**HDFP-BLANK**



designed to be better.™



©2020 Legrand All Rights Reserved rev. 12/20 14364 INFINIUM HD



**Data Communications**

60 Woodlawn Street  
West Hartford, CT 06110  
800.934.5432  
www.legrand.us

9024 Keele Street,  
Concord, Ontario L4K 2N2  
905.738.9195  
www.legrand.ca

Follow Us

