

Radio magnetic contact**4283****4284****Description**

Radio magnetic contact (868MHz/two-direction) with 2 programmable inputs which can be used to connect external magnetic wire contacts rather than rolling shutter or window-break sensors, making it in fact a small wireless expansion module (up to 3 zones).

It can be programmed with the TiAlarm software, thanks to the two-direction communication.

The 4283/4 magnetic contact implements the power check in DPMS transmission, being able to program the supervision time from 1 minutes to 4 hours (default setting 5 minutes) and check the battery load status (sending a signal when it needs replacing) as well as integrating the anti-opening and anti-tear off protection.

Fastening the transmitter to the upper part of the frame and the magnet to the moving part of the door/window is highly recommended.

To make use of the anti-tampering protection the sensor and magnet must be fastened with screws suitable for the material where the installation is taking place. As an alternative use the double-sided adhesive tape supplied.

(battery included).

Certification: EN 50131 Index 2 Environmental Class II

Technical data

| | |
|-----------------------|--|
| Supply voltage | 1 lithium battery CR123A (3V) provided |
| Battery life | max. 4 years |
| Operating frequency | 868 MHz |
| Radio range | 400 mt in free field (the signal quality is influenced by various factors, check the measurement with the TiAlarm software) |
| Operating temperature | 5 – 40 °C |

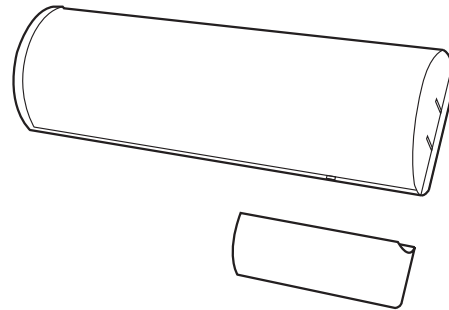
Note

The safety products and alarm systems do not guarantee protection against thefts or other emergencies. The alarm may stop working for various reasons, including (but not limited to): power cut, flat batteries, incorrect installation, coverage shadow zones, coverage areas not considered during the installation, failure because of technically sophisticated intrusions, component fault or inadequate maintenance. The alarm systems must be checked regularly, as laid down by the standard, to guarantee correct operation of all the devices. THE ALARM SYSTEM DOES NOT REPLACE INSURANCE.

Dimensional data

| | |
|--------------|-----------------------------|
| Contact size | 30 x 90 x 30 mm (H x L x D) |
| Magnet size | 15 x 34 x 14 mm (H x L x D) |

View

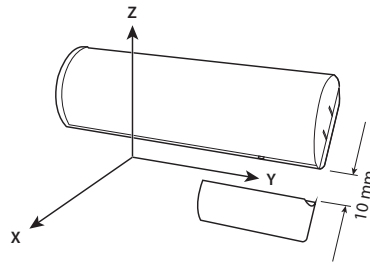
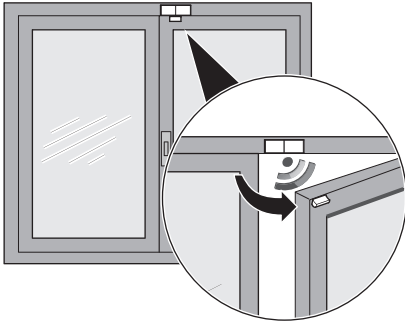


Operating distances

On non-ferromagnetic mounting surfaces, for all configurations and axes of operation (x – y – z) on the basis of the device installation.

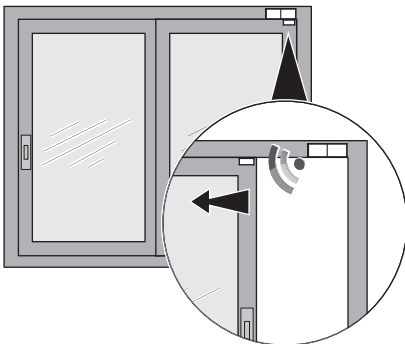
X axis with magnet at 10mm:

- Closed contact in the interval between 10 – 20mm
- Open contact over 30mm



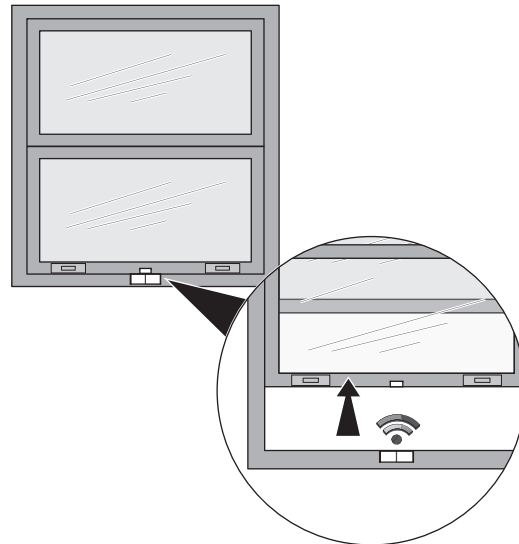
Y axis with magnet at 10mm:

- Closed contact in the interval between 10 – 20mm
- Open contact over 30mm



Z axis with magnet at 10mm

- Closed contact in the interval between 10 – 20mm
- Open contact over 30mm



Auxiliary contacts

Auxiliary Inputs - Programmable N.C. - N.O. balanced can be used for magnetic contacts, glass-break sensors, rolling shutters sensor, etc.

A - Auxiliary input 1

B - Auxiliary input 2

C - Common contact

