



**Connections between the central unit and the other devices**

**• Connections 4280 in transceiver configuration (max. 2 transceivers)**

The system devices communicate each other via BUS.

A twisted and shielded 2-pair multi-polar wire should be used for the connection between the central unit and the system devices:

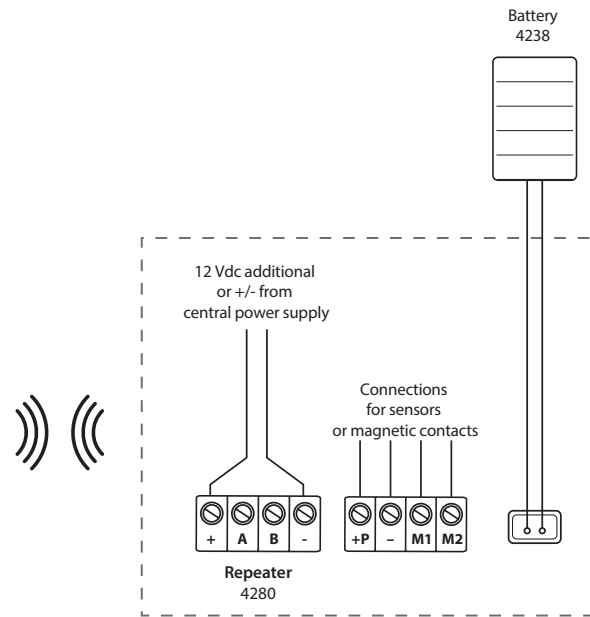
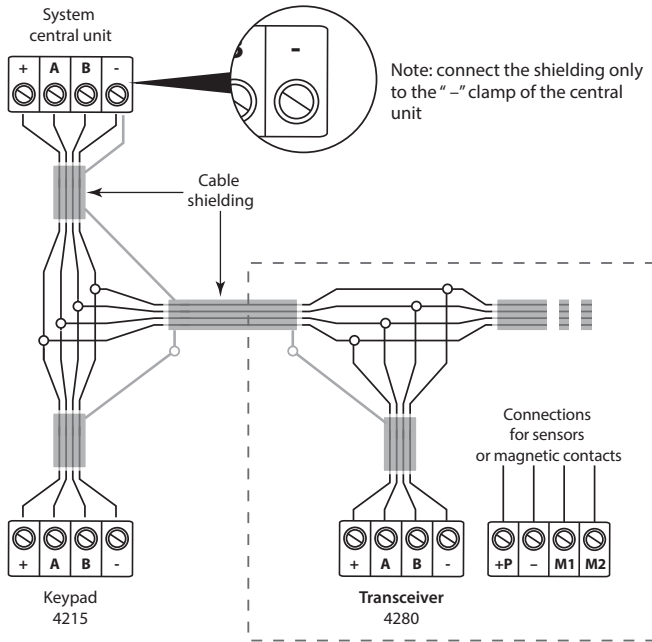
- first pair for the system BUS (terminals A - B);
- second pair for the power supply voltage (+ - terminals).

The maximum length of the bus cable extended must not exceed 500 m. To select the most suitable wires, check absorptions and voltage drops on the basis of the length of the section. Rigorously respect the regulations of the country of use .

**• Connections 4280 in repeater configuration (max. 2 repeaters)**

The "Repeater" mode must be activated by removing the REP jumper (3) before switching the device ON and connecting the battery.

Refer to the diagram below for the connection.



**• Acquisition 4280 transceiver**

The system central unit must recognise the 4280 transceiver; consult the TiAlarm software manual for the acquisition procedure.

**• Acquisition 4280 in repeater configuration**

1. Connect the power supply clamps or the battery 7.4V (battery 4238 not included)
2. Close the device
3. For more details refer to the TiAlarm software manual.