

SFERA CLASSIC audio video speaker module

342560

Description

Audio/video speaker module for 2 wire system fitted with colour camera with LED lighting for night viewing.

Camera with slant adjustment horizontally and vertically by $\pm 20^\circ$.

The connections to the system are made by wiring the removable clamp supplied; the nameplates are illuminated by green LEDs. A closing card to be inserted in the last pushbutton module is supplied.

To be completed with the modular "Audio/video" front covers.

The speaker module allows to make systems of up to 100 handsets and the opening of an electric door lock directly connected between the clamps S+ S- (18 V 4 A impulsive, 250 mA holding current). The door lock can be locally supplied with a transformer, or using the actuators 346230 or 346260.

Related items

342461 (modular A/V front cover without call pushbuttons - Allmetal)

342471 (modular A/V front cover with 1 call pushbutton - Allmetal)

342481 (modular A/V front cover with 2 call pushbutton - Allmetal)

Technical data

Power supply from SCS BUS: 18 – 27 Vdc

Stand by absorption: 40 mA

Max. operating absorption: 160 mA

Operating temperature: (-25) – (+70)°C

Lens: F: 1.5 mm ; f: 4.3 mm

Sensor: 1/3"

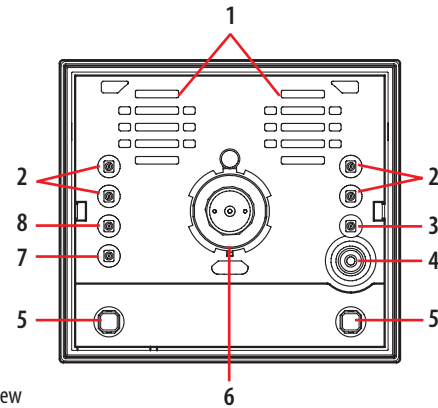
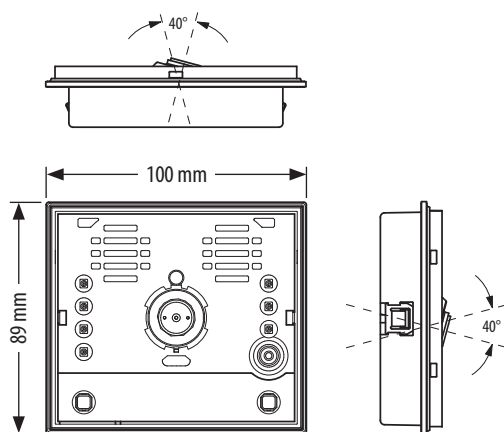
Interlace: 2:1

Horizontal resolution: 330 lines

Night lighting: white LEDs

Brightness adjustment: automatic

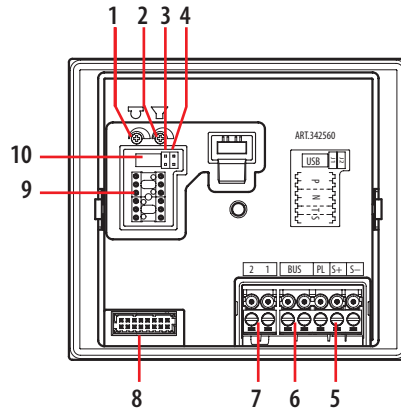
Dimensional data



Front view

Legend

- 1 - Loudspeakers
- 2 - White LEDs for night lighting
- 3 - Green LED for door status notification
- 4 - Microphone
- 5 - Call pushbuttons
- 6 - Colour camera
- 7 - Green LED: put through call notification
Red LED: busy system notification
- 8 - Green LED: active communication notification



Rear view

Legend

- 1 - Microphone volume adjustment
- 2 - Loudspeaker volume adjustment
- 3 - J1: remove to enable additional power supply
- 4 - J2: when connected, two columns of call pushbuttons are active, when disconnected only one column is active
- 5 - Door lock connection and local open door pushbutton
- 6 - Connection to the 2 wire BUS
- 7 - Connection to the additional power supply
- 8 - Connection to the additional pushbuttons
- 9 - Configurator socket
- 10 - USB connector for PC connection

Configuration

The device must be configured as follows:

P - entrance panel number

The configurator in seat P of the speaker module assigns to it a recognition number inside the system. The numbering of the entrance panels must always start from P=0. The entrance panel configured with P=0 must be a common (or main) entrance panel.

N - call number

Assigns the correspondence between the entrance panel pushbuttons and the audio handsets or video handsets. In the common entrance panels made with pushbutton modules, 1 must be inserted in N of the speaker module. The number of the first riser audio and video handset must be inserted in the local entrance panels in N.

T - door lock relay timing

configurator number							
0= No configurator	1	2	3	4*	5	6	7
4 sec.	1 sec.	2 sec.	3 sec.	as pushbutt.	6 sec.	8 sec.	10 sec.

* **Operation as pushbutton for 10 sec. max, after which standby mode is activated.**
To extend operation time over 10 seconds, use actuator 346200 / 346210 configured with **MOD=5**.

S-type of call signal with entrance panel door lock opening notification beep

The configuration of S determines the call tone of the SPRINT, SPRINT L2 handsets. One can thus differentiate the calls from different entrance panels.

Table for SPRINT - SPRINT L2 handset call signal

Configurator	0	1	2	3
Type of bell	2-tone	2-tone	2-tone	One-tone
	1200Hz	1200Hz	1200Hz	1200Hz
	600Hz	0 Hz	2400Hz	

For the SWING, PIVOT, POLYX, CLASSE 100 and AXOLUTE handsets, the S configurator associates the Entrance panel to the bell programmed in the handset. It is possible to chose between 16 different bells. In one-family systems, S=9 configures the general call and the handsets ring, the same as with the S=0.

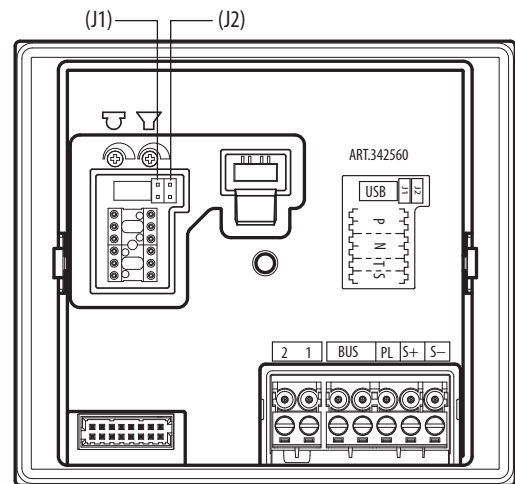
S-type of call signal without entrance panel door lock opening notification beep

The configuration of S determines the call tone of the SPRINT, SPRINT L2 handsets. One can thus differentiate the calls from different entrance panels.

Table for SPRINT - SPRINT L2 handset call signal

Configurator	4	5	6	7
Type of bell	2-tone	2-tone	2-tone	One-tone
	1200Hz	1200Hz	1200Hz	1200Hz
	600Hz	0 Hz	2400Hz	

For the SWING, PIVOT, POLYX, CLASSE 100 and AXOLUTE handsets, the S configurator associates the Entrance panel to the bell programmed in the handset. It is possible to chose between 16 different bells. In one-family systems, S=8 configures the general call and the handsets ring, the same as with the S=0.

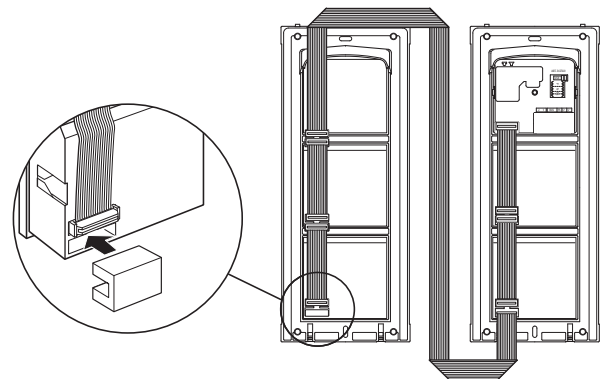


J1 - EP local power supply

Remove the JMP1 jumpers when the speaker module is supplied by a dedicated power supply.

J2 - activation of pushbutton columns

When connected, two columns of call pushbuttons are active, when disconnected only one column is active.



Supplied as standard with the audio and video speaker module, is a closing accessory with connector. The accessory must be fitted in the last pushbutton module of the entrance panel, after connecting the modules to each other using the multicables.

Camera installation notes

The camera must not be installed facing strong light sources, or in locations where the area being shot is strongly backlit. In order to resolve these problems, we recommend that the camera is installed at a height of 180 cm, instead of the usual 160-165 cm, with the lens pointing down. This will improve image quality. In low light situations, the colour rendition of the image displayed by the colour camera may decrease. This is to ensure that the person being displayed can be better recognised. To ensure optimum vision in low light conditions, the installation of an additional light source is recommended.