

SFERA NEW - SFERA ROBUR Inductive loop and control speech synthesis module

352700

Description

Inductive loop and control speech synthesis module, to be used with the 351100 speaker module or with audio/video modules 351200 - 351300, to enable use by people wearing hearing aids (fitted with T selector). It is connected to the speaker module using the appropriate multicable supplied. To be completed with surround plate. The device can be configured physically or using a PC with the specific software, which can be downloaded free of charge from www.homesystems-legrandgroup.com; this mode has the advantage of offering many more options when compared with the physical configuration.

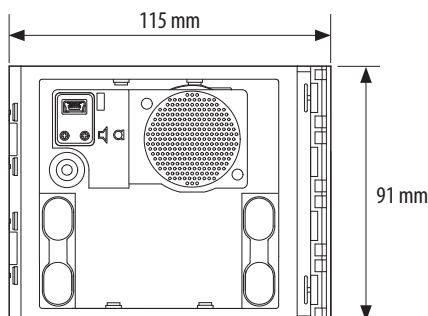
Related items

352701	front cover for the Sfera New inductive loop and control speech synthesis - Allmetal (IK 08)
352702	front cover for the Sfera New inductive loop and control speech synthesis - Allwhite (IK 08)
352703	front cover for the Sfera New inductive loop and control speech synthesis - Allstreet (IK 08)
352705	front cover for the Sfera Robur inductive loop and control speech synthesis (IK 10)

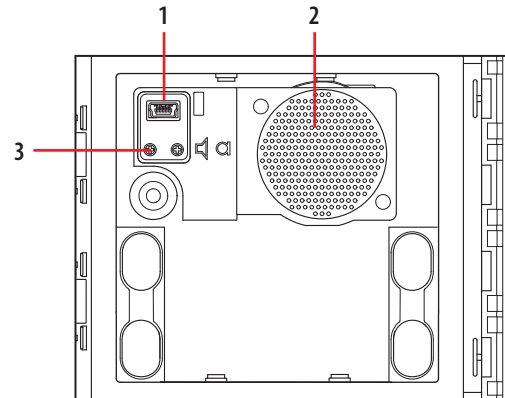
Technical data

Power supply from SCS BUS:	18 – 27 Vdc
Stand by absorption:	18 mA
Max. operating absorption:	60 mA
Operating temperature:	(-25) – (+70) °C
Protection index (pushbutton panel assembled):	IP 54

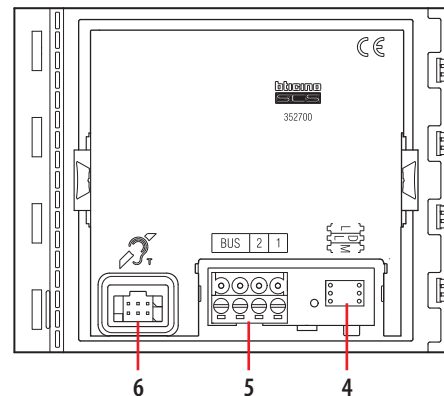
Dimensional data



Front view



Rear view



Legend

1. Mini-USB connector for the connection to the PC : configuration and device firmware update
2. Loudspeaker
3. Loudspeaker volume adjustment
4. Configurator socket
5. Plug-in clamps for the connection of the local power supply and the 2 WIRE SCS BUS
6. Connector for the connection of the speaker module

Configuration

The device must be configured.

The configuration can be performed in two ways:

Mode 1 - with physical configurator connection

Mode 2 - using a PC with the specific software, which can be downloaded free of charge from www.homesystems-legrandgroup.com; this mode has the advantage of offering many more options when compared with the physical configuration.

Mode 1

Mod 1 requires the physical connection of the configurators to their sockets:

The configurator connected to the L socket defines the language for the control speech synthesis.

L- Selection of the speech synthesis language:

The configurator connected to the L socket defines the language for the control speech synthesis as for the following table:

Configurator	Language
none	default language (English)
1	English
2	French
3	Italian
4	Spanish
5	German
6	Flemish
7	Portuguese

DL - Selection of the default speech synthesis language:

The configurator connected to the DL socket defines the default language for the control speech synthesis. The default language is selected from the preloaded language pack, as for the following table:

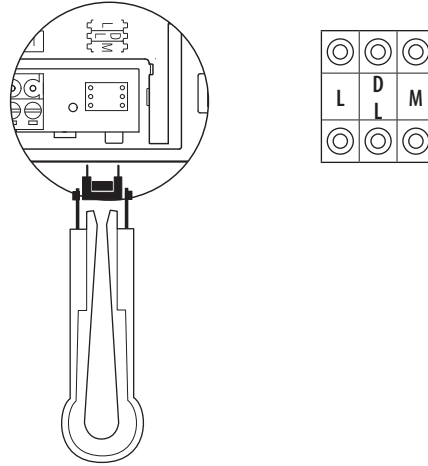
Configurator	Language
none	1st language of the preloaded language pack
1	2nd language of the preloaded language pack
2	3rd language of the preloaded language pack
3	4th language of the preloaded language pack
4	5th language of the preloaded language pack
5	6th language of the preloaded language pack
6	7th language of the preloaded language pack
7	8th language of the preloaded language pack
8	9th language of the preloaded language pack
9	10th language of the preloaded language pack

M - Operating mode:

The configurator connected to the M socket sets the operating mode of the device as indicated below:

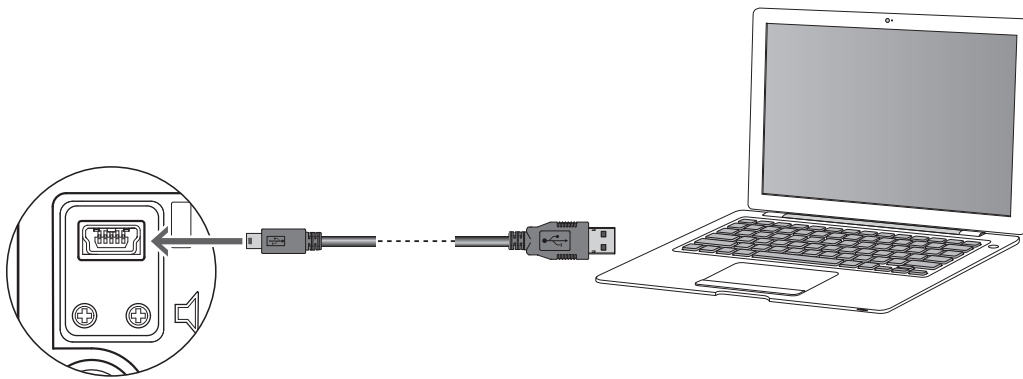
M = 0 (no configurator) - Inductive loop and control speech synthesis both enabled

M = 1 - Inductive loop enable, control speech synthesis disabled



Mode 2

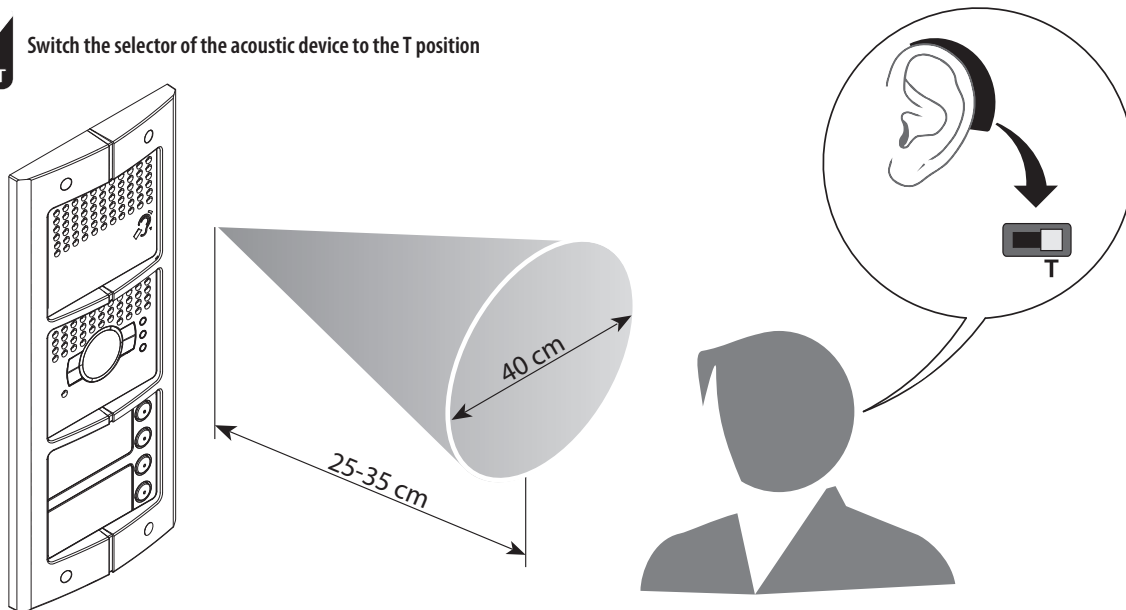
Mode 2 requires advanced configuration of the device, performed using a PC and the specific software, which can be downloaded free of charge from www.homesystemslegrandgroup.com; this mode has the advantage of offering many more options when compared with the physical configuration. For the connection to the PC, use a USB - mini USB cable. The software gives the possibility of configuring, programming, and updating the firmware of the speaker module. The presence of the mini USB connection of the front of the speaker module gives the possibility of performing these operations without the need to disassemble the device.



Notes on the use of the inductive loop



Switch the selector of the acoustic device to the T position



To ensure correct magnetic coupling between the device and the acoustic device, we recommend a position in front of the device, at a distance of 25-35 cm.

It is reminded that the presence of metal and background noise generated by electric/electronic devices (e.g. computer) may compromise the performance and the quality of the coupling device.