



Shutter switch RF with preset function

5738 40 H4595 665112
5738 41 672 63 LN4595 663096

Description

Actuator for the control of electric rolling shutter or shutter motors with maximum power 500 VA.

Technical data

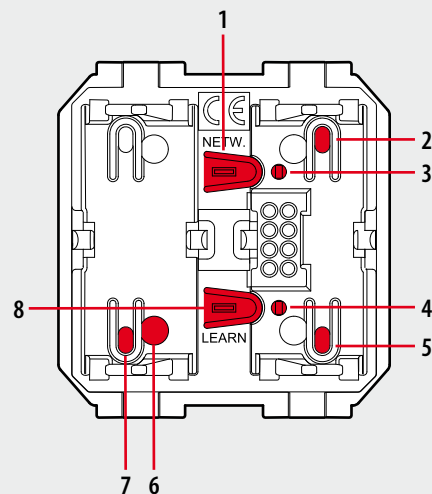
Power supply: 100 – 240 Vac 50/60 Hz
Operating temperature: 5 – 45 °C
Technology: Radio 2.4 GHz standard ZigBee®
Capacity: 150 m free field, 15 m in rooms with concrete walls
Power/absorption of the loads driven: see following table

Voltage		Shutter motor
230 Vac	Max.	500 VA
	Min.	270 VA
110 Vac	Max.	250 VA
	Min.	135 VA

Dimensional data

Size: 2 flush mounted modules

Front view



Legend

1. NETWORK key
2. UP key
3. NETWORK LED
4. LEARNING LED
5. DOWN key
6. Load ON/OFF LED
7. STOP key
8. LEARNING key

5738 40 H4595 665112
 5738 41 672 63 LN4595 663096

Configuration

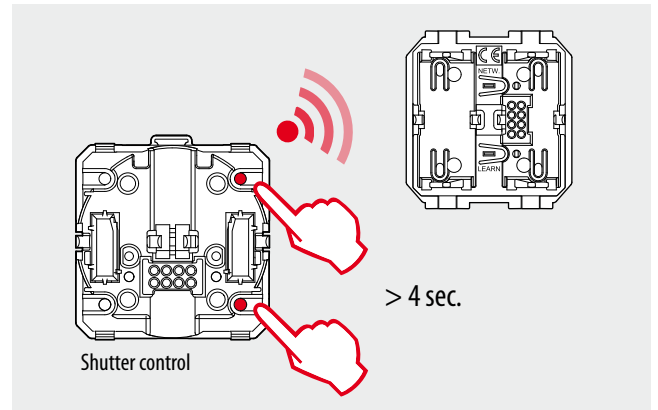
"Push and Learn" self-learning type.

Select the operating mode

The device may operate in two different modes:

- Bistable (to operate the rolling shutter press and immediately release the UP or DOWN keys).
- Monostable (to operate the rolling shutter press and hold down the UP or DOWN keys).

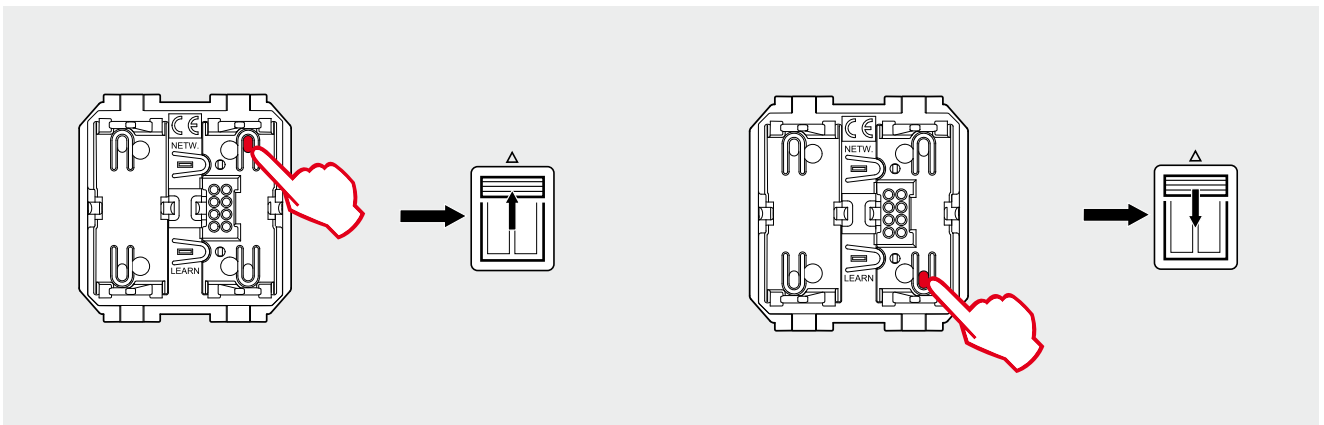
The device is supplied configured in bistable mode. It will be possible to change the operating mode at any time by pressing and holding down for more than 4 seconds both the UP and DOWN keys of the rolling shutter control at the same time.



Use of the device in bistable mode

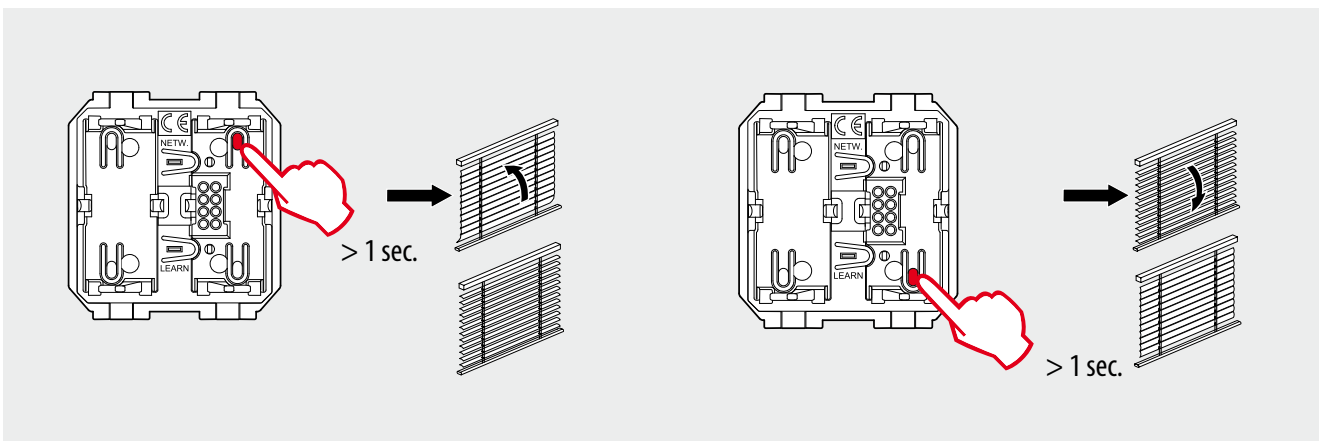
Opening and closing the rolling shutter:

Press and release the UP and DOWN keys.



Adjustment of the blade position:

Press the UP and DOWN keys for more than 1 second.

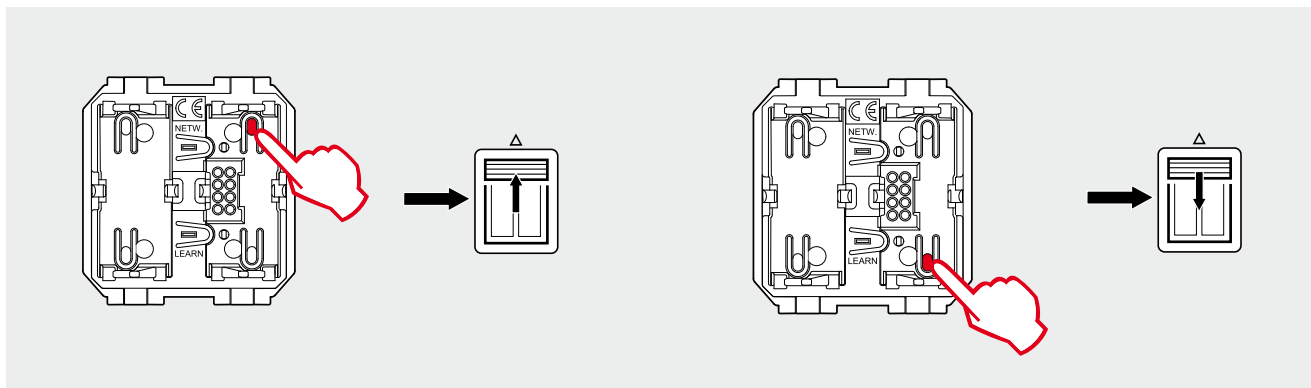


5738 40 H4595 665112
5738 41 672 63 LN4595 663096

Use of the device in monostable mode

Opening and closing the rolling shutter:

Press and hold down the UP and DOWN keys until the desired rolling shutter position.



Saving of the PRESET position (opening the rolling shutter to a preset position)

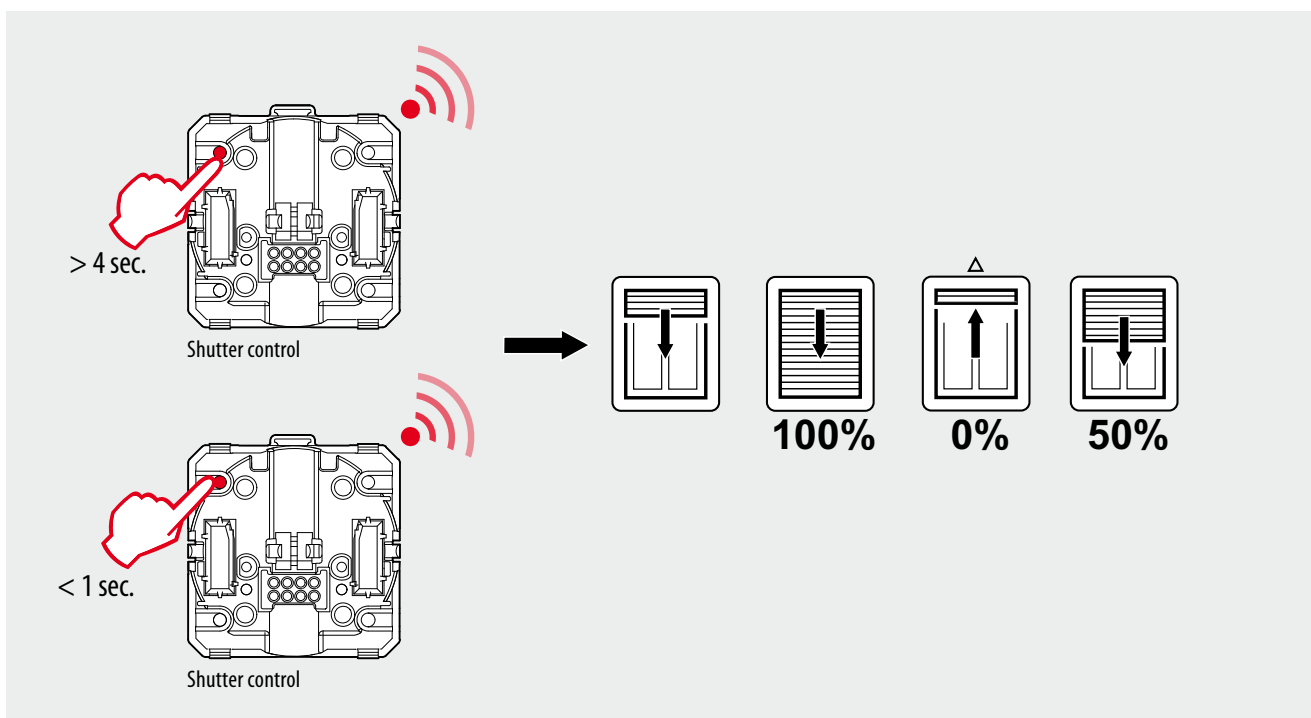
In addition to the operating modes specified, this device can be used to also set the rolling shutters to a preset position by only pressing one key.

The procedure is performed in two different stages:

- calibration of the up and down movements times of the rolling shutter;
- saving of their positions.

Calibration of the up and down movements times of the rolling shutter;

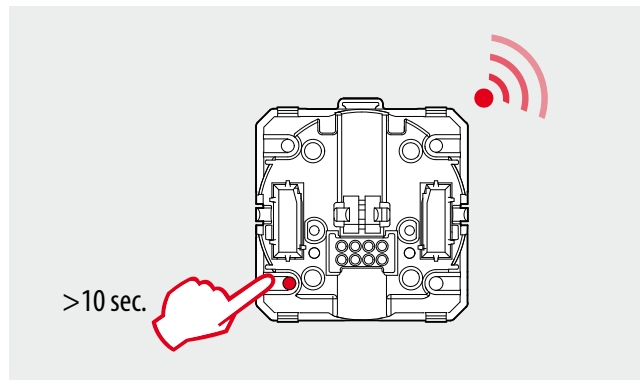
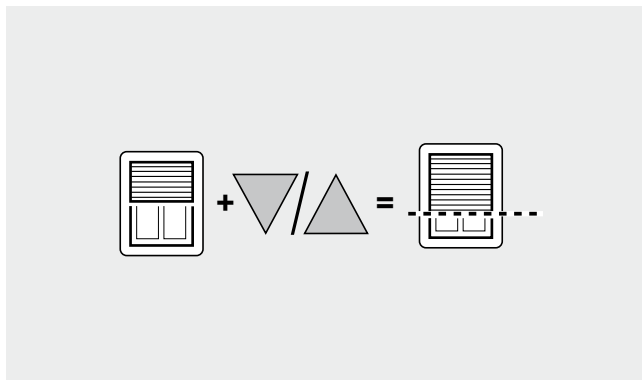
1. Check if the rolling shutter motor is equipped with a traditional, or with an electronic "limit switch".
2. Fully open the rolling shutter.
3. In case of traditional limit switch, press the key shown in the picture for more than 4 seconds. Press the key for less than 1 second in case of electronic limit switch.
4. The rolling shutter will close completely, will open completely, and then will move to the half open position. During this stage do not operate the device.
5. The device has saved the rolling shutter full opening and full closing time. Now proceed with saving the desired position (Preset).



5738 40 H4595 665112
 5738 41 672 63 LN4595 663096

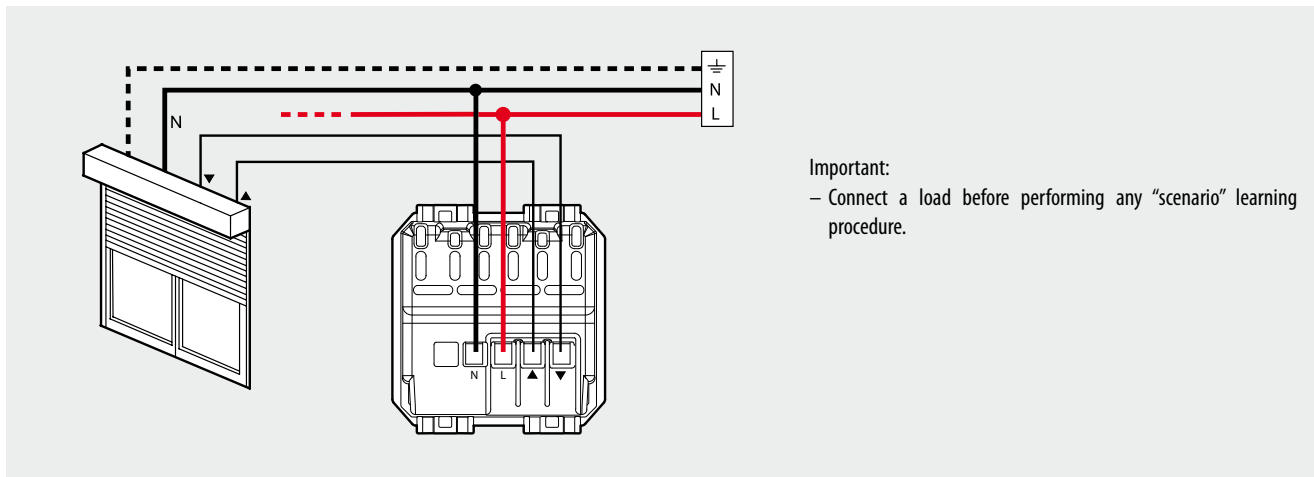
Saving the rolling shutter position:

1. Operate the UP and DOWN keys of the radio control to move the rolling shutter to the desired position.
2. To save the desired position press the Preset key of the rolling shutter radio control for more than 10 seconds.



3. From now on, irrespective of its position, when the Preset key of the control device is pressed the rolling shutter will move to the previously saved position.

Wiring diagram



Important:
 – Connect a load before performing any “scenario” learning procedure.