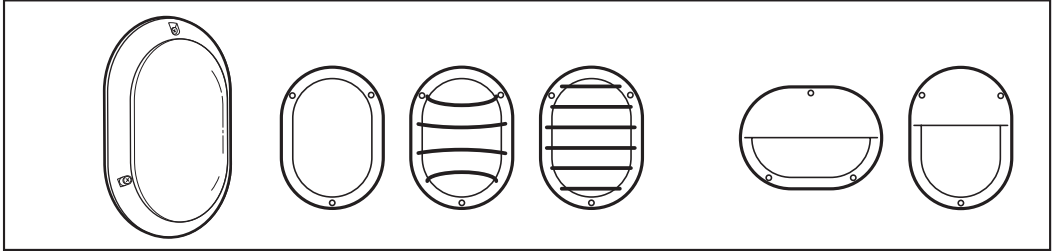


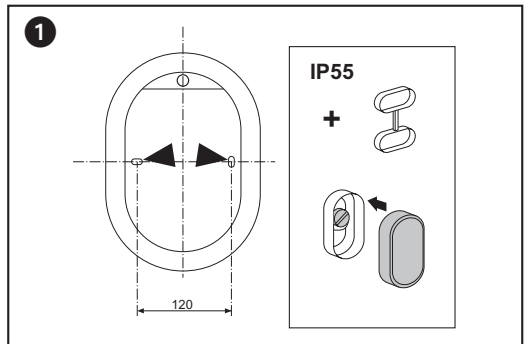
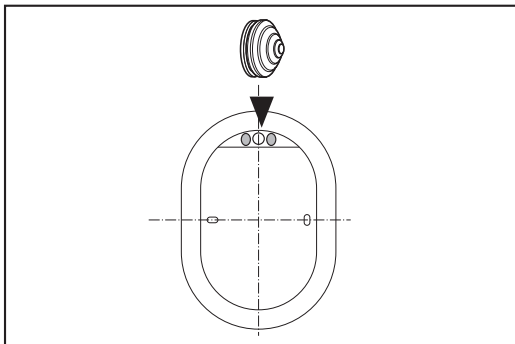
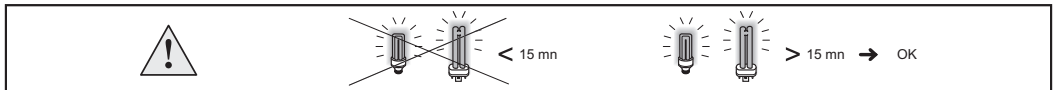
sarlam

CHARTRES

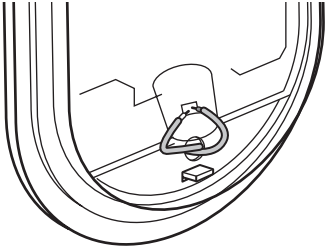
NT 37 174/09



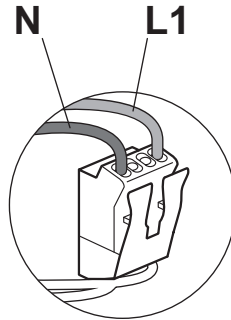
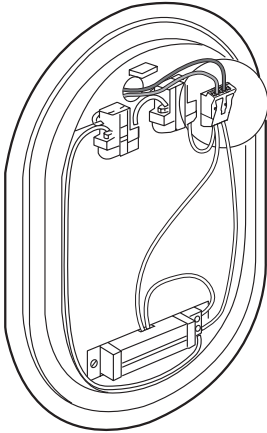
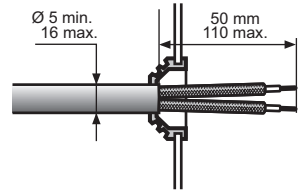
| | | | | | |
|-----|-----------------------------|--|--|------|------|
| | | | | | |
| max | 75 W | | | 60 W | 60 W |
| max | 53 W | | | 53 W | 53 W |
| max | 17 W | | | | |
| max | 9 W / 2 x 9 W / 13 W / 18 W | | | | |



2



Ø 5 min.
16 max.



3

