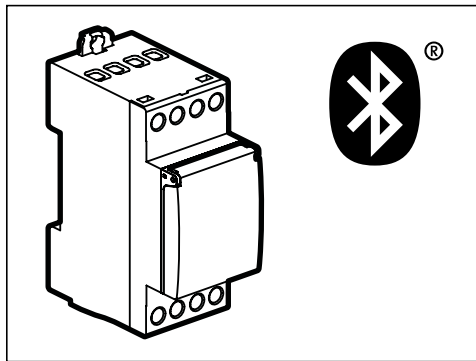


Time switch
AlphaRex³ D22 BLE
4 127 22

 **legrand**[®]



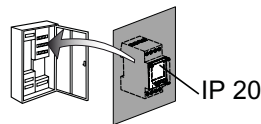
 **Safety notes**

This product should be installed in line with installation rules, preferably by a qualified electrician. Incorrect installation and use can lead to risk of electric shock or fire. Before carrying out the installation read the instructions and take account of the product's specific mounting location. Do not open up, dismantle, alter or modify the device except where specifically required to do so by the instructions. All Legrand products must be opened and repaired exclusively by personnel trained and approved by Legrand. Any unauthorised opening or repair completely cancels all liabilities and the rights to replacement and guarantees. Use only Legrand brand accessories.

The device contains a LiMnO₂ primary cell. When the product reaches the end of its life, this cell must be correctly removed and disposed of in accordance with national legislation and the requirements of environmental protection.

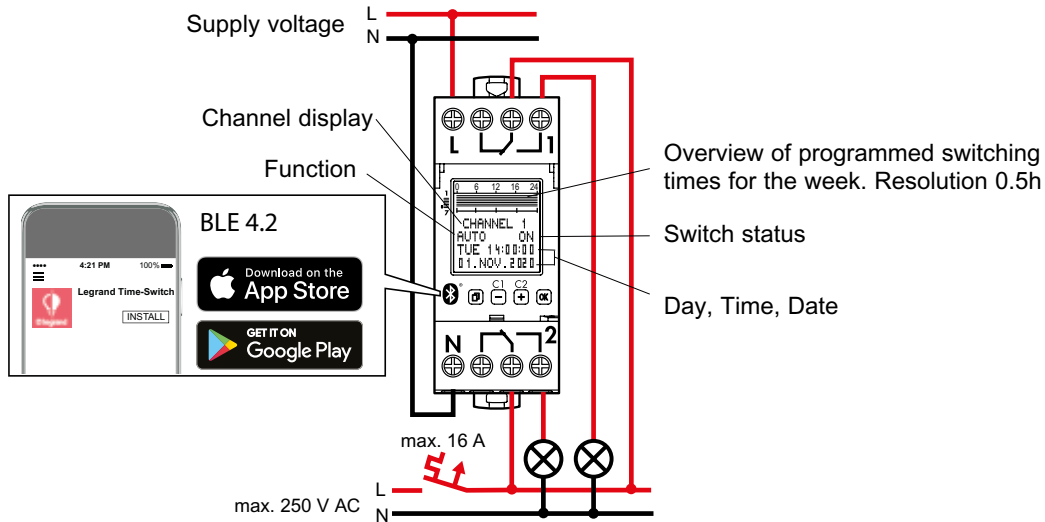
Technical data

Supply voltage:	230 V 50/60 Hz	
Consumption :	ca. 1,5 W	
Contact rating:	2 changeover contact 16 A 250 V~ $\mu \cos \varphi = 1$	
Accuracy :	~ 0,1 s /day	
Terminal capacity:	single strand	multi strand
	1,5...4 mm ²	1,5...2,5 mm ²
Programmes:	28 per channel	
Battery reserve:	5 years	
Storage ambient:	-20 °C to +60 °C	
Working ambient:	-20 °C to +55 °C	
Transmission frequency:	2400 MHz ... 2483,5 MHz	
max. transmission power:	1,58 mW	

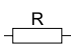
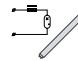
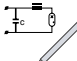









General information


- Start-up: after applying the supply voltage, the time switch starts automatically with the last selected function. The relay position is set by the current program.
- For safety, when the time switch is connected to the mains supply the contact should not be used on an isolated low voltage supply and when the time switch is connected to the isolated voltage supply the contact should not be used on the mains supply.





Operating principle: Typ 1.B. S. T.
 IEC/EN 60730-1, IEC/EN 60730-2-7
 Montage: in distribution panel,
 Degree of contamination: 2
 Switch output, potential-free
 Rated impulse voltage: 4 kV

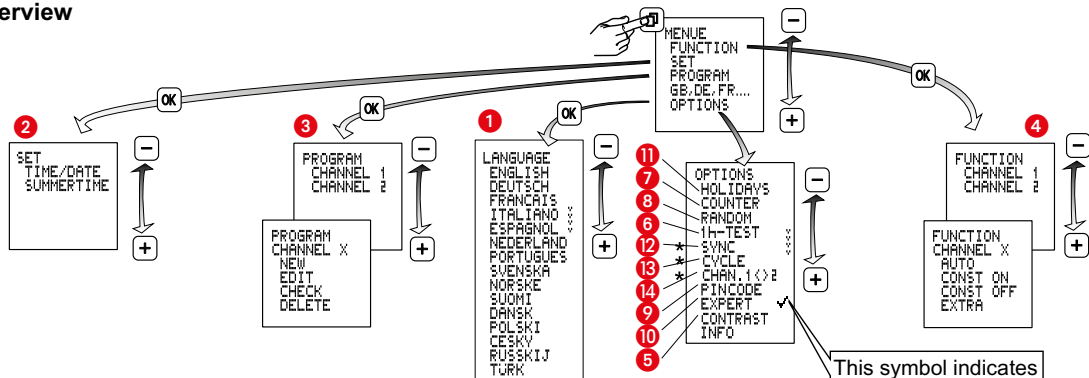
			
4000 W	2000 VA	600 W 70µF	2000 W
			
2000 W	2000 W	2000 W	1000 W
			 LED
			1000 W

 Select menu, back to main menu,
Hold down > 1s = operating display

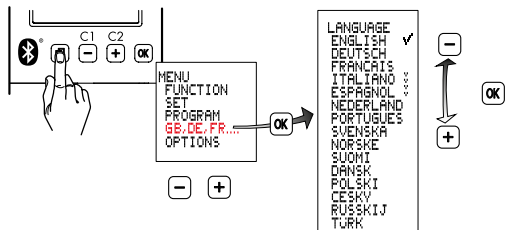
 Confirm selection or load parameters

C1 C2 • Select menu options or set parameters
  • Channel selection

Overview



1 Set language

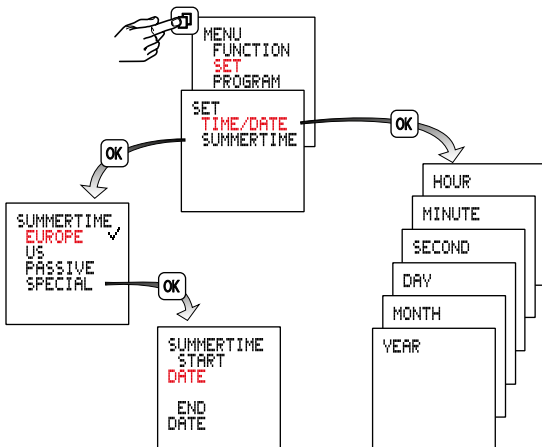


2 Set time/date, summertime/wintertime

Summertime: ± 1 hour

Europe: Factory set

SPECIAL: The switchover to/from summertime can be freely programmed by entering a start date and end date and is then executed each year on the same day of the week, e.g. Sunday



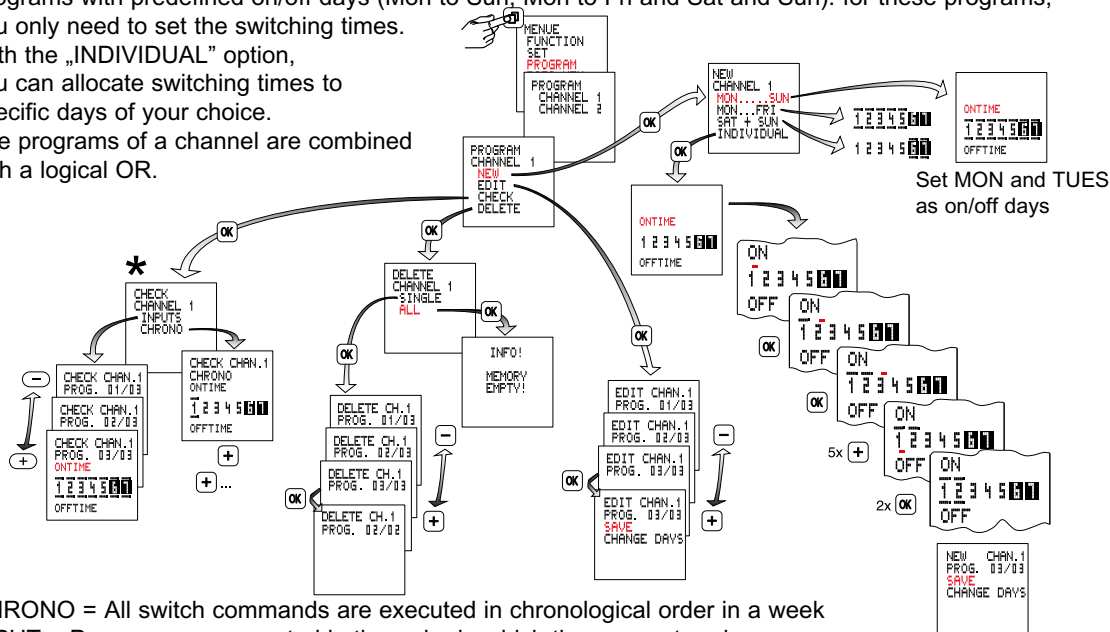
3 Programming

A program consists of an ON time, OFF time and associated on and off days.

Programs with predefined on/off days (Mon to Sun, Mon to Fri and Sat and Sun): for these programs, you only need to set the switching times.

With the „INDIVIDUAL” option, you can allocate switching times to specific days of your choice.

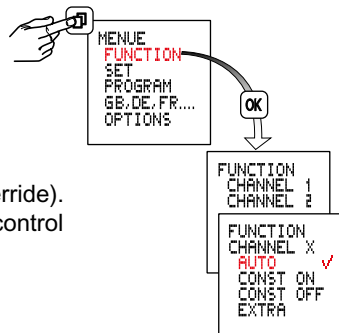
The programs of a channel are combined with a logical OR.



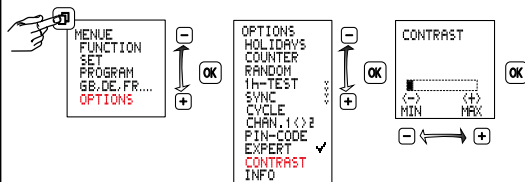
4 Modes

- **Auto** - Automatic operation
- **Constant ON**
- **Constant OFF**
- **Extra**

The switch status imposed by the program is inverted (manual override).
With the next effective switch command, the time switch resumes control of on/off switching.

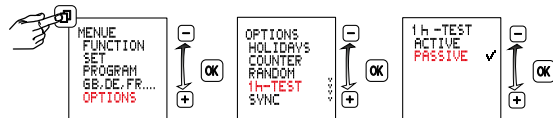


5 Contrast adjustment



6 1 h-Test

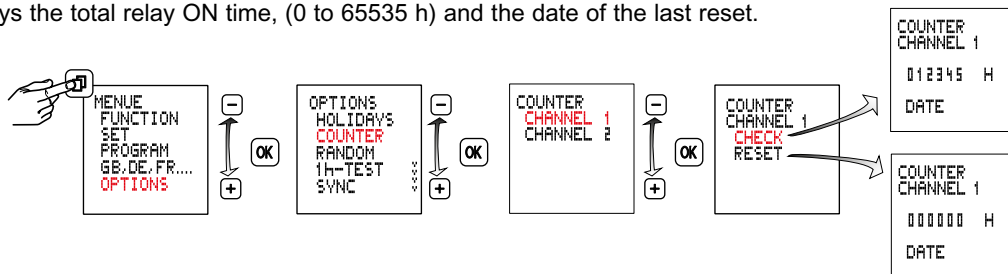
When this function is activated, the output is switched on for one hour.



After one hour, the time switch returns automatically to the programmed mode.

7 Hour counter

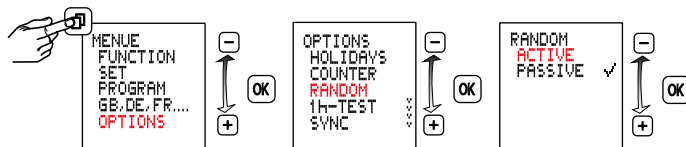
Displays the total relay ON time, (0 to 65535 h) and the date of the last reset.



8 Random function

Function to simulate presence.

Function active: the programmed switching cycles are shifted at random within the range of ± 15 minutes.



9 Pincode

The factory setting for pin code entry is **PASSIVE**.

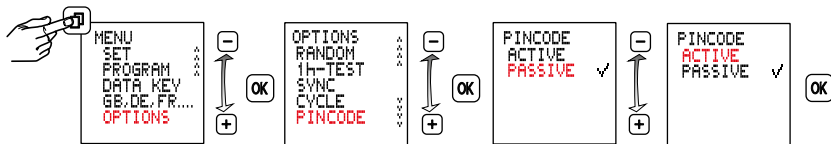
If the pin code is set to **ACTIVE**, the access code is preset to 123123.

This is unless the pin code was changed in the Legrand Time-Switch app.

- The Legrand Time-Switch app can be used to change the access code.
- A maximum of 8 smartphones/tablets can be simultaneously paired with a timer.
If more smartphones/tablets need to be paired, the oldest pairing will be deleted.
- The standard time switch name (AlphaRex) can be changed using the Legrand Time-Switch app.

If **PASSIVE** is selected, or after a reset, the access lock is removed.

The access code set remains unchanged.

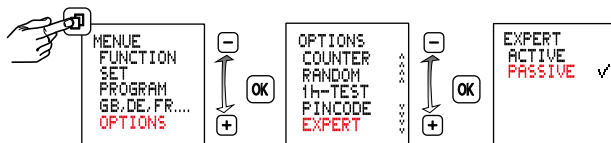


10 Expert mode

Some additional functions are available in Expert mode:

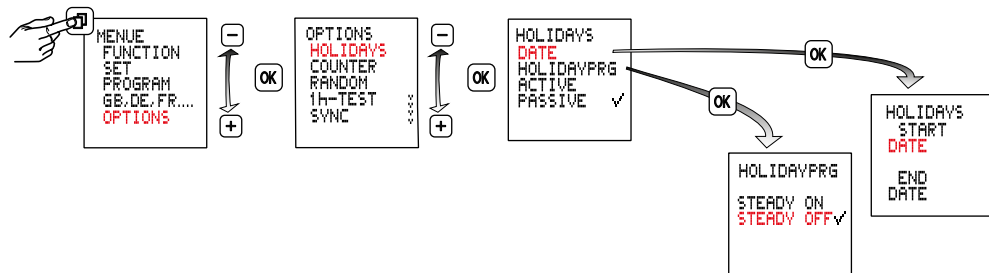
- Power grid synchronisation to improve the accuracy
- Cycle function
- Automatic channel switching

Note: Upon switching from ACTIVE to PASSIVE the additional menu items are hidden again and all the Expert mode settings are cancelled. After re-activating, Expert mode will operate again with the basic settings.



11 Holiday

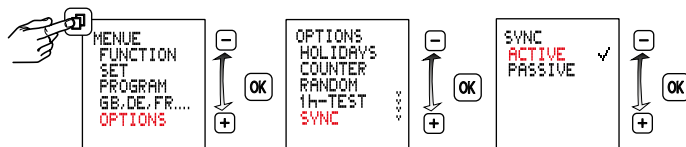
After activation the holiday program is executed between 0:00h on the start date and 24:00h on the end date (Constant ON/OFF). After the holiday program has run once, it must be reactivated.



12 Activating and deactivating grid synchronisation

Only available in EXPERT mode.

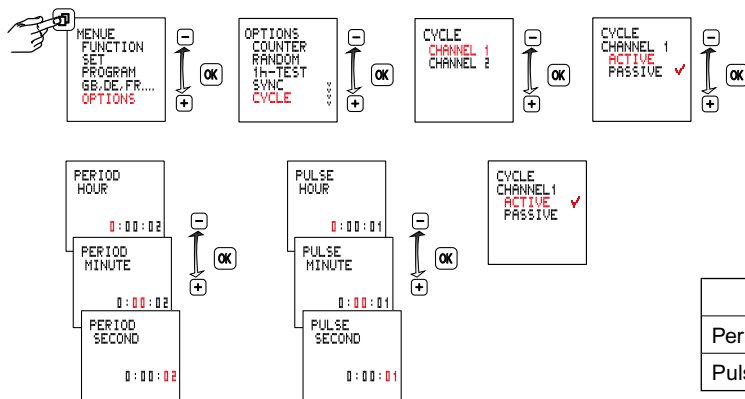
The default setting is PASSIVE. In order to improve the long-term accuracy, it is advisable to activate synchronisation if the time switch is supplied from a on 50/60 Hz grid with frequency adjustment.



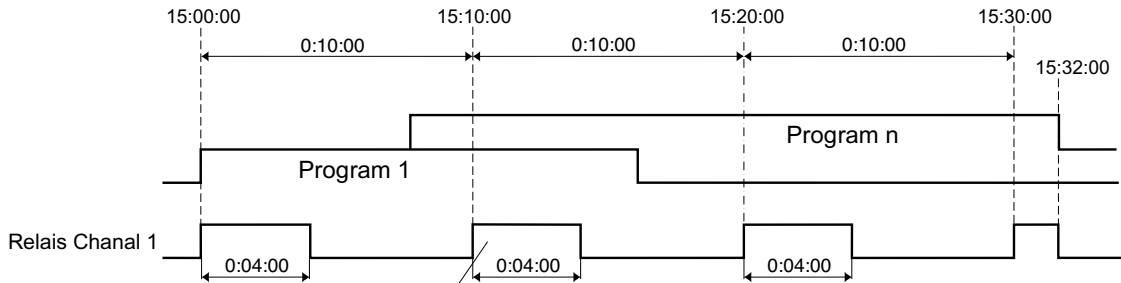
13 Cycle function

Only available in EXPERT mode

For cyclical switch commands the switching on time is set by logical “OR” of programs of all types. A fixed cycle of ON and OFF time then operates within those limits. The cycle always starts with the ON time. The cycle duration and the ON time within the cycle are the same length for all switching times. The cycle duration and the ON time can be set independently in one-second increments. If the switching time is shorter than the cycle duration, the cycle will be shortened accordingly. The ON time will remain unchanged. If the switching time is actually shorter than the ON time, the ON time will be shortened accordingly.



	min	max
Period	2s	2h
Pulse	1s	1h 59min 59s



A technical data box with a scale at the top and an arrow pointing to the 15:10:00 mark on the main diagram. The text inside the box reads:

```
AUTO JUL  
DI 14:00:00  
01.NOV.2011
```

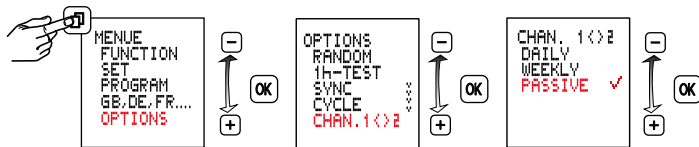
14 Automatic channel switching

Only available in EXPERT mode

On two-channel time switches a cyclic switch between channels can be set to conserve and/or ensure even use of connected equipment such as lamps and lights.

For example, with two sets of lights, one can be used all night long and the other for part of the night only. However, cyclical inversion of the outputs ensures that the lamps are on for the same length of time on average.

The outputs are automatically swapped over once a day (12 noon) or once a week (Sunday at 12 noon).



15

Connecting smartphones and AlphaRex³ BLE

Below are the basic instructions for pairing a smartphone with an AlphaRex³ BLE timer.

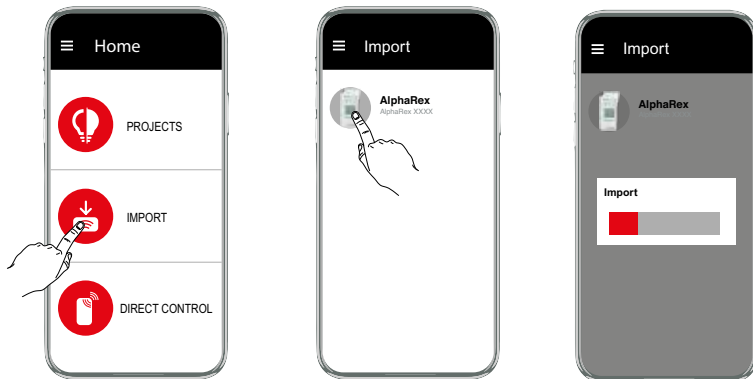
1. First install the Legrand Time-Switch app.
2. Go to the Bluetooth section of your smartphone; this is usually under Settings.
Make sure Bluetooth is switched on.
3. Location services on the smartphone must be enabled; GPS does not have to be activated.
4. The AlphaRex³ BLE timer must be supplied with mains voltage.
5. Devices are now displayed within the Legrand Time-Switch app, both when uploading and when importing.
6. Select the AlphaRex³ BLE timer from the list of devices.
7. The access code is 123123.
8. Enter the access code.
9. The AlphaRex³ BLE is now paired.

16 Importing projects

⚠ Note!

At the start of and during Bluetooth communication, the relay outputs are put into an idle state.

1. Select the AlphaRex³ model from which the project is to be imported.
2. The transfer will start automatically




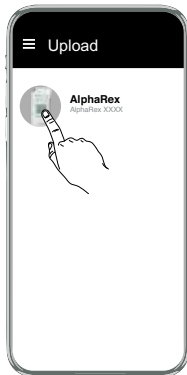
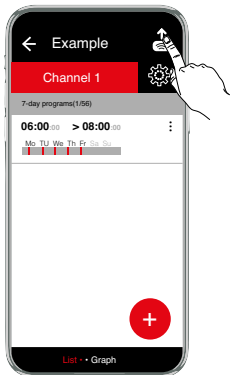
17

Uploading projects

⚠ Note!

At the start of and during Bluetooth communication, the relay outputs are put into an idle state.

1. Make sure your smartphone has Bluetooth and positioning turned on.
2. Select a project.
3. Press the key 
4. Select the AlphaRex type to which the project is to be transferred.
5. The transfer starts automatically.



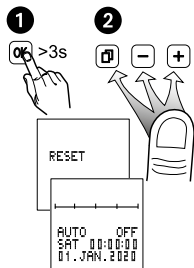
Reset

Warning!

The memory is deleted and all saved data is lost. Pin code entry is set to PASSIVE. The access code set remains unchanged.

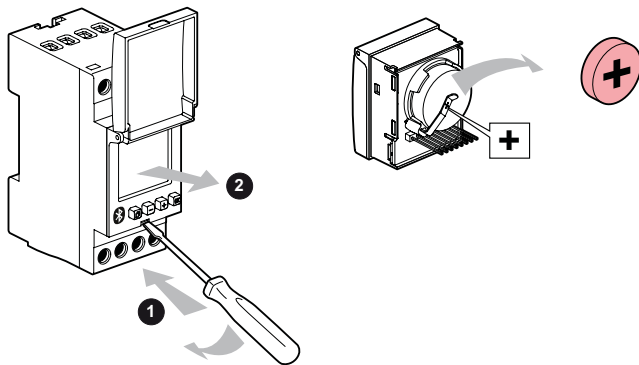
Hold down **OK** for more than 3 seconds and at the same time press and release **☐** **-** **+**.

The language, time, date, summertime/ wintertime and switching times will have to be reentered.



Warning: Elektrical shock - Disconnect all power from the device before dismantling the module and replacing the battery.

Always use a Li cell type battery (LiMnO₂) CR2477, 3V high temperature type min +85 °C



Wir **Legrand GmbH**
We **Am Silberg 14, D-59494 Soest**

erklären in alleiniger Verantwortung, daß unser(e) Produkt(e): **Schaltuhr**
declare under our sole responsibility that the product(s): **Time-switch**

Typenbezeichnung: **AlphaRex³ BLE**
Type description:
See list of reference numbers on page 2/2

mit den grundlegenden Anforderungen folgender Europäischen Richtlinien übereinstimmen
satisfy the provisions of Council Directives

„Funkanlagen-Richtlinie“/“Radio Equipment Directive (RED)“ 2014/53/EU

„EMV-Richtlinie“/“EMC-Directive“ 2014/30/EU

und/and

„RoHS2-Richtlinie“/“RoHS2-Directive“ 2011/65/EU

sofern sie bestimmungsgemäß und normgerecht nach
den Herstellerempfehlungen installiert und benutzt
werden.

*on condition that they are used in the manner intended
and in accordance with the current installation standards
and with the manufacturer's recommendations.*

Die Übereinstimmung des bezeichneten Produktes mit
den wesentlichen Schutzforderungen der gültigen
Richtlinien wird nachgewiesen durch die Einhaltung
folgender Normen:

*These provisions are ensured for the valid
Directives by conformity to the following standards:*

EN 60730-1 :2016
EN 60730-2-7 :2010

EN 300 220-2 V3.2.1 :2018 in conjunction with EN 300 220-1 V3.1.1 : 2017
EN 301 489-1 V2.1.1 :2017
EN 301 489-3 V2.1.1 :2019
EN 301 489-17 V3.1.1 :2017
EN 300 328 V2.2.2 : 2019

Legrand Antibes



Marcello Re

- Product Development & Technologies Director -

16.12.2019
Datum/date:

Referenz / Reference:	
Typ/Type:	
412721 AlphaRex ³ D21s BLE	230 V / 50-60 Hz
412722 AlphaRex ³ D22 BLE	230 V / 50-60 Hz
412723 AlphaRex ³ D21 astro BLE	230 V / 50-60 Hz
412724 AlphaRex ³ D22 astro BLE	230 V / 50-60 Hz
412725 AlphaRex ³ DY21 BLE	230 V / 50-60 Hz
412726 AlphaRex ³ DY22 BLE	230 V / 50-60 Hz