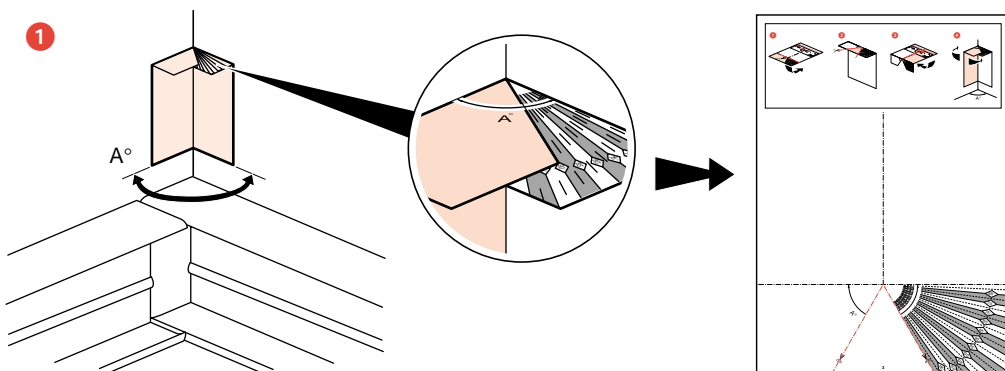
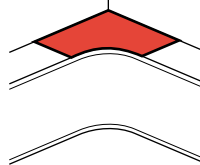


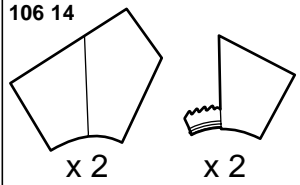
NT 104 870 254/00



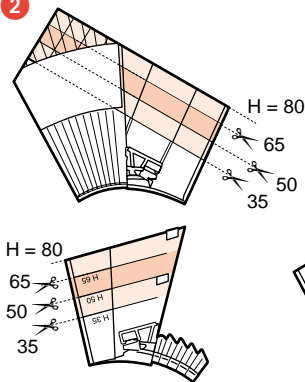
120°/95°



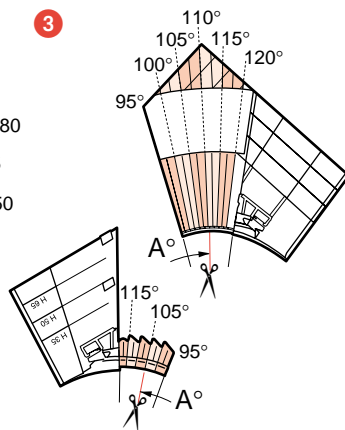
106 14



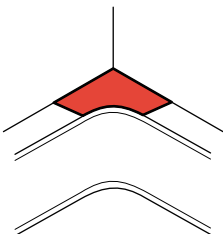
2



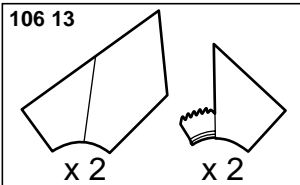
3



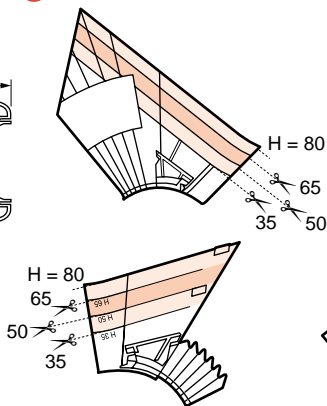
85°/60°



106 13



2



3

