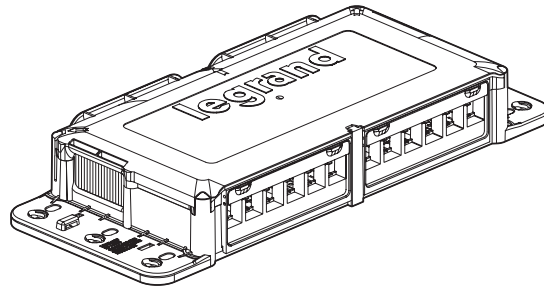


# Area distribution box with blocks to be equipped with 12 Linkeo C + RJ45 connectors

Cat. No(s): 6 329 45



## 1. GENERAL CHARACTERISTICS

Area distribution boxes are used when pre-equipping a work area. They centralise connections to provide flexibility when installing RJ45 telecommunications outlets. These can be moved easily in order to adapt to changes in the layout of workstations in this area.

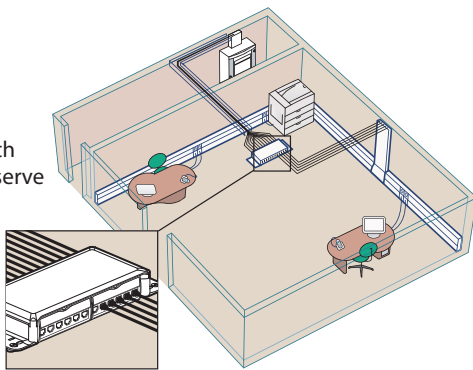
Area distribution boxes can be installed in a raised access floor, in a suspended ceiling or on metal cable trays.

100% compatible with the Keystone format as defined in the IEC 60603-7 standard. This ensures interchangeability with all other products on the market that comply with the standard.

They should be equipped with Cat. 5e, Cat. 6 or Cat. 6<sub>A</sub> Linkeo C + RJ45 connectors.

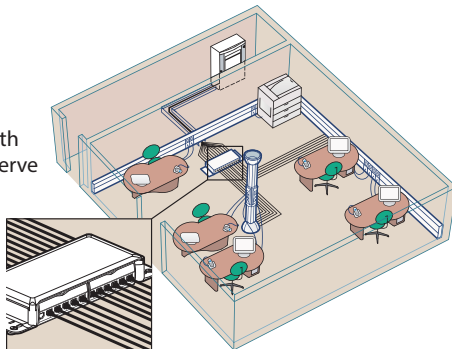
### 1.1 Positioning in suspended ceiling


Example with 7 lines in reserve



### 1.2 Positioning in raised access floor

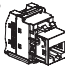
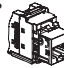

Example with 1 line in reserve



Description	Cat. No.	Max. number of ports	Weight (g)
 Area box with blocks to be equipped with 12 Linkeo C + RJ45 connectors	6 329 45	12	414.7

## 2. PRESENTATION

Area distribution boxes can be equipped with the following Linkeo C + RJ45 connectors

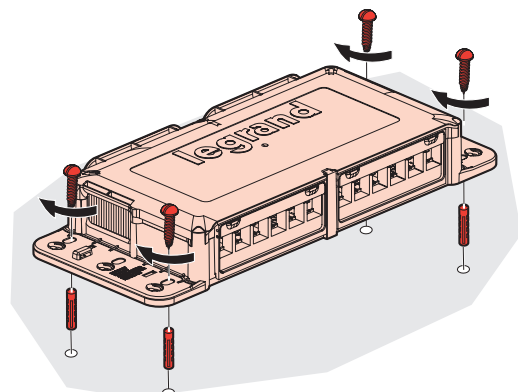
	UTP 			FTP 	STP 		
	International	Domestic China	Linkeo C series	International	International	Domestic China	Linkeo C series
Cat 5e	6 329 36 / 6 329 74	6 329 17	6 329 98	6 329 33	6 329 35	6 329 16	6 329 95*
Cat 6	6 329 34 / 6 329 73	6 329 15	6 329 97		6 329 32	6 329 14	
Cat 6A	6 329 31	6 329 13*	6 329 96*		6 329 30	6 329 12*	
		6 329 50				6 329 49	

\* lien permanent certifié uniquement

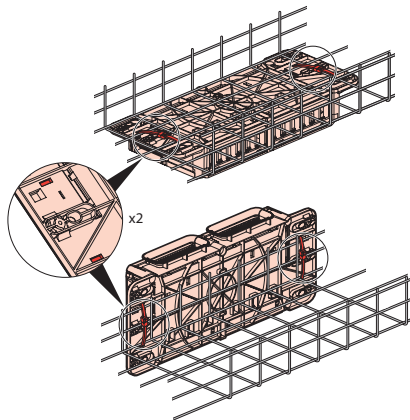
## 3. POSITIONING

Area distribution boxes can be fixed in floor tiles, partitions or ceilings with screws or nails, or fixed on cable trays with Colson cable ties.

### 3.1 Fixing in floor tiles, partitions or ceilings



3.2 Fixing on cable trays



4. INSTALLATION

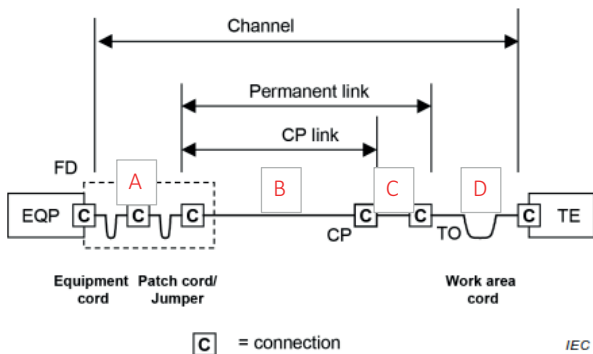
4.1 Normatives performance at 20°C

The area distribution box can be used either as a Consolidation Point (CP) or as a Multi User Telecommunications Outlet Assembly (MUTOA)

The following tables show the maximum distances allowed depending on the configurations.

Both cross connect and interconnect are allowed.

a) Use of the cord in a channel with a Consolidation Point



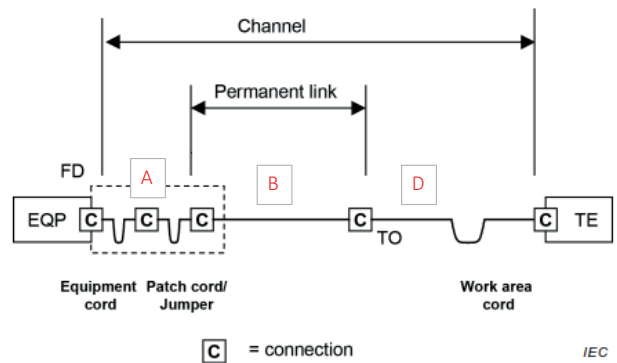
CP Cord (C)	Maximum PL (B)	TR Cord(s) (A)	Work Area Cord (D)	Total Channel
8 m	74 m	5 m	5 m	92 m
15 m	63 m	5 m	5 m	88 m
20 m	56 m	5 m	5 m	86 m

The CP must be minimum 15m from the patch panel: CP link (B)

1- a factory terminated cable with plug(s), see concerned datasheet for additional Channel length limitations linked or higher resistance of the cable.

2- the same cable as the CP Link terminated with field installable plugs, then no further length restriction applies.

b) Use of the cord in a channel with a MUTOA



MUTOA/W.A. Cord (D)	Maximum PL (B)	TR Cord(s) (A)	Total Channel
8 m	82 m	5 m	90 m
15 m	72 m	5 m	87 m
20 m	64 m	5 m	84 m

The MUTOA must be minimum 15m from the patch panel: Permanent Link B

The link (D) is a standard cord and may be up to 20m. It must be factory terminated and maximum length is dependant on the length of the permanent Link (PL). See cord datasheet for further information.

5. TECHNICAL CHARACTERISTICS

5.1 Materials

- Cover: Polypropylene
- Base: Polypropylene
- Cassette: Polycarbonate, ABS, PA 6/6, stainless steel, tinned brass, nickel silver
- Case colour: grey RAL 7035
- Cassette colour: black
- RoHS compliant

5.2 Mechanical characteristics

- Protection index: IP21
- Protection index against mechanical impacts: IK07
- Resistance of units connected to the case: 100 N

5.3 Climate characteristics

- Operating temperature: -40°C to +70°C
- Humid heat 21-day cycle

6. DIMENSIONS

