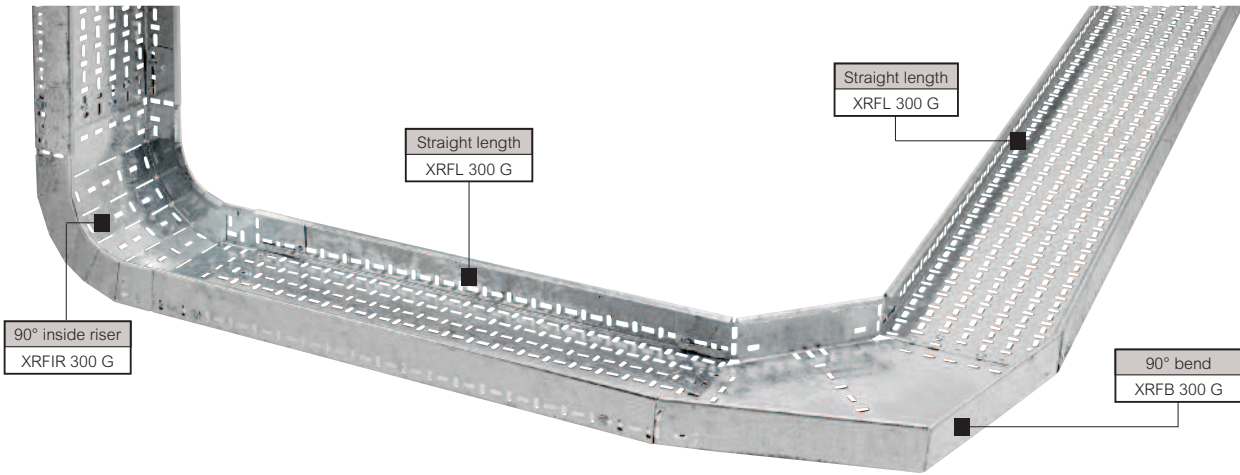
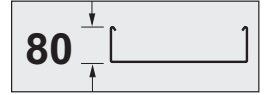


Swifts® XRF extra heavy duty return flange cable tray

lengths and fittings



Selection charts **p. 14-15**
 Dimensions and technical information : lengths **p. 84** ; coupler sets **p. 85** ; fittings **p. 86-93**
 Design notes **p. 118**
 Loading graphs **p. 84**

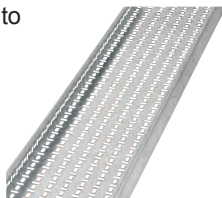
Pack	Cat. Nos.	Straight lengths – 3 m	
		Width (mm)	Depth (mm)
1	XRFL 100 F	100	80
1	XRFL 150 F	150	80
1	XRFL 225 F	225	80
1	XRFL 300 F	300	80
1	XRFL 450 F	450	80
1	XRFL 600 F	600	80

For technical information, **p. 84**

Pack	Cat. Nos.	Coupler sets
1	XRFC F	Use to join straight lengths Supplied in pairs For technical information, p. 85

Pack	Cat. Nos.	Fittings
1	XRFB WF	All fittings have integral fishplates No couplers required 90° bends For technical information, p. 86-87
1	XRFB WAF	60°, 45° and 30° bends For technical information, p. 86-87

Additional gauges and finishes available to special order
Contact us on +44 (0) 345 605 4333



Key : selecting XRF extra heavy duty fittings. Replace the letters shown in **red** with your choice from the following options :
W = Widths (mm) : 100, 150, 225, 300, 450, 600
A = Angle (°) : 60, 45 and 30 (90 does not need to be included in order code)
F = Finish : **G** (hot dip galvanised after manufacture), **D** (deep galvanised), **S** (stainless steel)