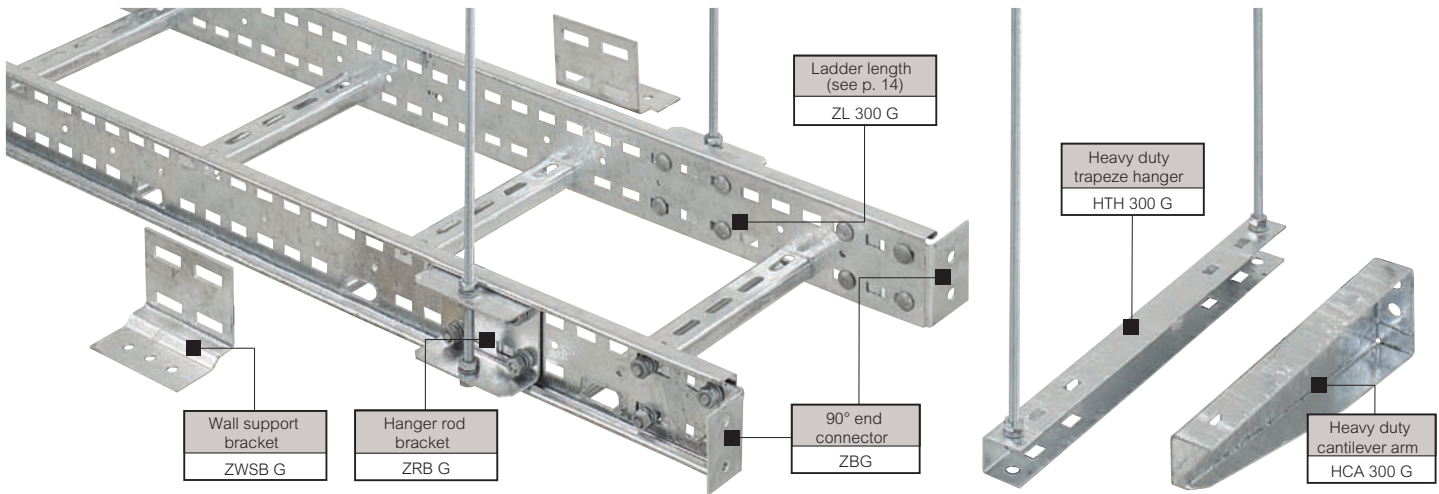
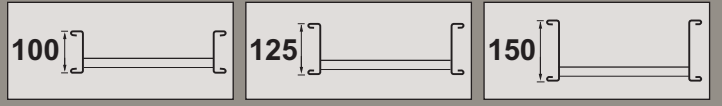
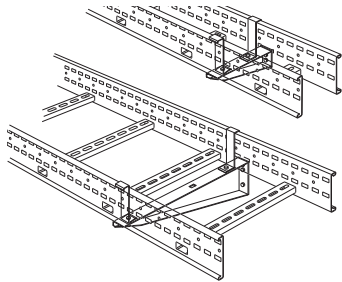
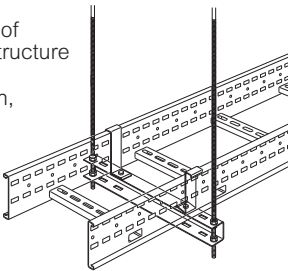
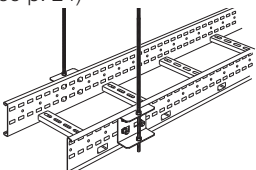


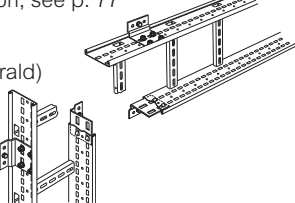
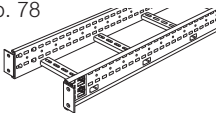
Swifts® cable ladder supports

medium duty (Topaz), heavy duty (Sapphire) and extra heavy duty (Emerald)



Dimensions and technical information (p. 74-78)

Pack	Cat. Nos.	Supports
		For use with medium duty (Topaz), heavy duty (Sapphire) and extra heavy duty (Emerald) ladder
1	HCA WF	<p>Heavy duty cantilever arms</p> <p>Supplied singly without fasteners Use to fit horizontal runs of ladder to flat surfaces and Swiftrack channel All arms have slots in top flanges to accept ladder hold down brackets For technical information, see p. 74</p> 
1	HTH WF	<p>Heavy duty trapeze hangers</p> <p>Supplied singly without fasteners Support horizontal runs of ladder from overhead structure Use M12 threaded rods For technical information, see p. 75</p> 
1	ZRB F	<p>Hanger rod brackets</p> <p>When hanger rod brackets are fitted to ladder, covers can not be used Supplied in pairs with bracket to ladder fasteners Support horizontal runs of ladder from overhead structure Use M10 threaded rods, (see p. 24) For technical information, see p. 76</p> 
1	PRB F	
1	ERB F	

Pack	Cat. Nos.	Supports (continued)
		<p>Wall support brackets</p> <p>Supplied in pairs with bracket to ladder fasteners Fit horizontal or vertical runs of ladder to vertical surfaces and Swiftrack channel For technical information, see p. 77</p> 
1	ZWSB F	<p>Medium duty (Topaz) Heavy duty (Sapphire) Extra heavy duty (Emerald)</p>
1	PWSB F	
1	EWSB F	
1	ZB F	<p>90° end connectors</p> <p>Supplied in pairs with bracket to ladder fastener Fits ends of ladder to vertical surfaces For technical information, see p. 78</p> 
1	PB F	
1	EB F	

Key : selecting medium duty (Topaz), heavy duty (Sapphire) and extra heavy duty (Emerald) supports. Replace the letters shown in red with your choice from the following options :

W = Widths : 150, 300, 450, 600, 750, 900
F = Finish : **G** (hot dip galvanised after manufacture),
D (deep galvanised) **S** (stainless steel), **E** (powder coated)