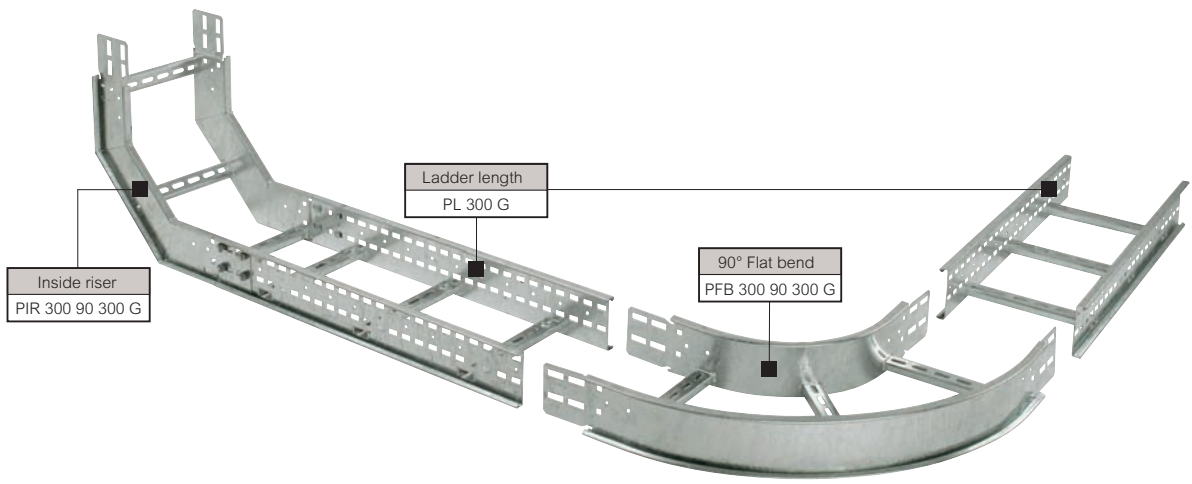
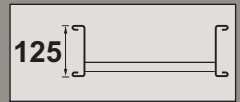


# Swifts® heavy duty (Sapphire) cable ladder

lengths and fittings



Selection chart (p. 10-11)  
 Dimensions and technical information : lengths (p. 35) ; coupler sets (p. 38-45) ; fittings (p. 46-73)  
 Design notes (p. 112)  
 Loading graphs (p. 34)

**When connecting fittings to straight lengths, use fastener sets (see below)**  
 Rung spacing : 300 mm between centres  
 Standard radius for fittings : 300 and 600 mm

Pack	Cat. Nos.	Straight lengths – 3 m
1	PL 150 F	150 mm width
1	PL 300 F	300 mm width
1	PL 450 F	450 mm width
1	PL 600 F	600 mm width
1	PL 750 F	750 mm width
1	PL 900 F	900 mm width

6 m lengths available on special request  
 For technical information, see p. 35

Pack	Cat. Nos.	Coupler sets
1	PC F	<b>Straight length to straight length</b> Supplied in pairs, with fasteners (8 per coupler) Use to couple straight lengths to straight lengths For technical information, see p. 38-39

Pack	Cat. Nos.	Fitting to fitting
1	PFC F	Supplied in pairs, with fasteners (8 per coupler) Use to couple fitting to fitting For technical information, see p. 44-45

Pack	Cat. Nos.	Fastener sets
50	LFGM10P50	Comprise M10 coach bolt and flange nut
50	LFSM10P50	Hot dip galvanised Stainless steel



Pack	Cat. Nos.	Fittings
1	PFB WArF	<b>Flat bends</b> For technical information, see p. 46-49 90° Flat bend 60° Flat bend 45° Flat bend 30° Flat bend
1	PIR WArF	<b>Inside risers</b> For technical information, see p. 51, 54, 57, 60 90° Inside riser 60° Inside riser 45° Inside riser 30° Inside riser
1	POR WArF	<b>Outside risers</b> For technical information, see p. 51, 54, 57, 60 90° Outside riser 60° Outside riser 45° Outside riser 30° Outside riser