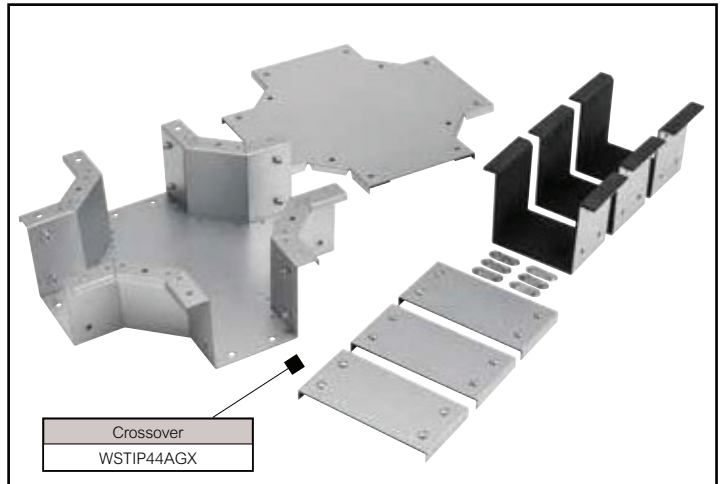
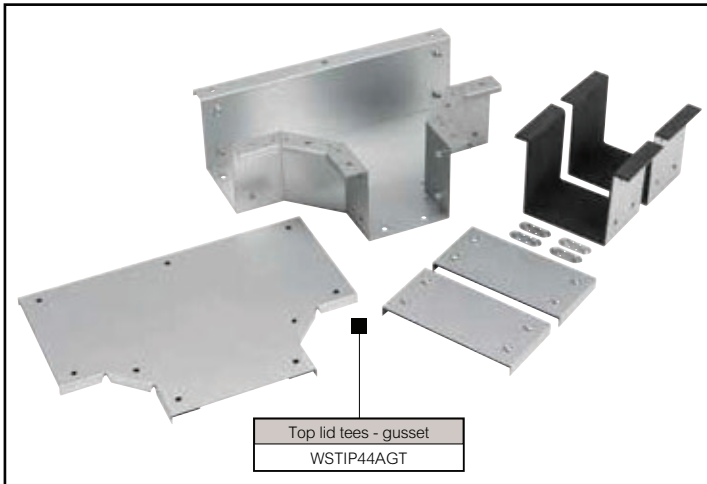


# Salamandre® IP55 rated distribution trunking

fittings (continued)



- Selection chart (p. 4-5)
- Order information (p. 6)
- Standards and quality assessment (p. 11)
- Dimensions and technical information (p. 12-17)

Pack	Cat. Nos.	Fittings (continued)
		<b>Tees</b> All top lid, inside lid and outside lid tees are supplied with lids, couplers and fixings All 2 and 3 compartment fittings are supplied with preassembled dividers and crossovers Bridge flyovers reduce the cable capacity by 50% except on offset products which give full cable capacity Inside and outside lid tees – square, available to special order Contact us on +44 (0) 345 605 4333
1	WSTIP Z AGT	1 compartment
1	WSTIP Z AGT2C K	2 compartment
1	WSTIP Z AGT3C K	3 compartment
		<b>Top lid tees – gusset</b>
1	WSTIP Z BGT	1 compartment
1	WSTIP Z BGT2C	2 compartment
1	WSTIP Z BGT3C	3 compartment
		<b>Inside lid tees – gusset</b>
1	WSTIP Z CGT	1 compartment
1	WSTIP Z CGT2C	2 compartment
1	WSTIP Z CGT3C	3 compartment
		<b>Outside lid tees – gusset</b>

Pack	Cat. Nos.	Fittings (continued)
		<b>Crossovers</b> All crossovers are supplied with lids, couplers and fixings All 2 and 3 compartment crossovers include a bridge flyover complete with fixing brackets and screws Bridge flyovers reduce the cable capacity by 50% except on offset products which give full cable capacity
1	WSTIP Z AGX	1 compartment
1	WSTIP Z AGX2C	2 compartment
1	WSTIP Z AGX3C	3 compartment
1	WSTIP Z Z R	<b>Reducers</b> Supplied with lids, lid fixings and coupler screws The larger trunking size uses standard coupler (not supplied) for joining to reducer (Cat. No. WSTIP Z C see p. 7)

**Key :**  
**Z** = trunking size code  
 Replace **Z** with the relevant code, see p. 6  
**K** = top lid tees – gusset  
 2 and 3 compartment AGT (top lid tees – gusset) must be suffixed with either A or B to denote the cable exit configuration on the tee branch  
 i.e. Cat. No. WSTIP44AGT3CA  
 For more information on cable exit configurations, see p. 16