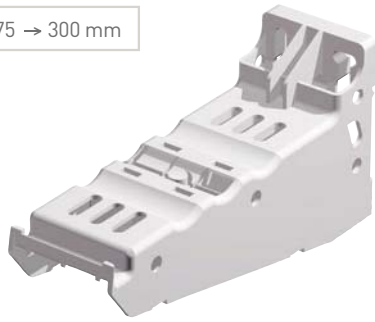


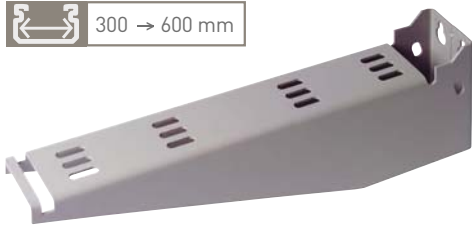
supports and accessories

75 → 300 mm



6377 69

300 → 600 mm



6379 78

Pack	Cat. Nos.	Cantilever arms - PVC
		Compatible with metal support
		Width (mm)
8	6377 66	For 75/100
6	6377 67	For 150
4	6377 68	For 200
4	6377 69	For 300

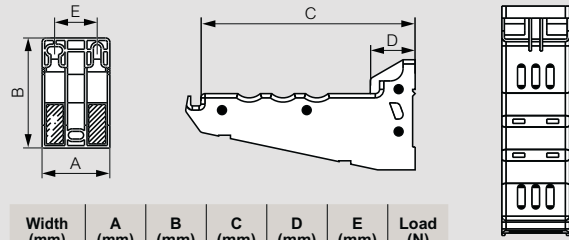
	Plastic coated	Cantilever arms - Plastic coated
		Width (mm)
2	6379 78	For 300
2	6379 79	For 400
2	6379 80	For 500
2	6379 81	For 600

supports and accessories

technical information

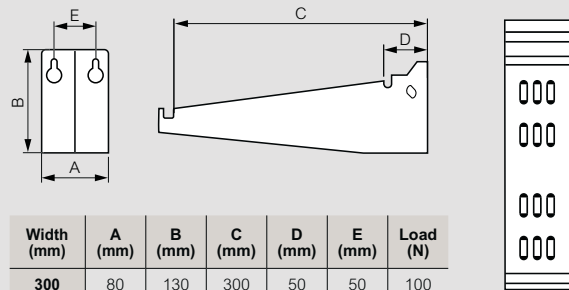
■ Cantilever arms

PVC dimensions and fixing information

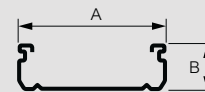


Width (mm)	A (mm)	B (mm)	C (mm)	D (mm)	E (mm)	Load (N)
75/100	80	100	100	53	50	25
150	80	100	150	53	50	40
200	80	130	200	53	50	65
300	80	130	300	53	50	75

Plastic coated dimensions and fixing information

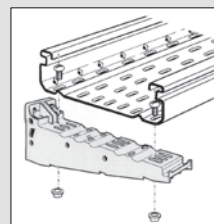


Width (mm)	A (mm)	B (mm)	C (mm)	D (mm)	E (mm)	Load (N)
300	80	130	300	50	50	100
400	80	130	400	50	50	135
500	80	130	500	50	50	170
600	80	130	600	50	50	205



PVC			Steel - plastic coated		
A x B (mm)		Load (N)	A x B (mm)		Load (N)
75 x 50	6377 66	25	300 x 50	6379 78	100
75 x 75			300 x 75		
100 x 50			300 x 100		
100 x 75			400 x 50		
100 x 50	6377 67	40	400 x 75	6379 79	135
100 x 75			400 x 100		
200 x 50					
200 x 75	6377 68	65	500 x 100	6379 80	170
200 x 100					
300 x 50	6377 69	75	600 x 100	6379 81	205
300 x 75					
300 x 100					

Wall mounting



Ceiling installation for 200 and 300 mm widths only

