

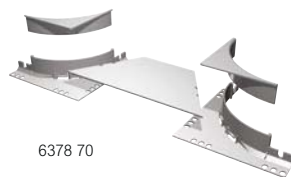
fittings



6377 13



6378 60



6378 70

Pack	Cat. Nos.	Flat 90° bends
		Supplied with covers
		PVC
		Width x Depth (mm)
4	6377 03	For 75 x 50
4	6377 13	For 100 x 50
4	6377 23	For 150 x 50
2	6377 33	For 200 x 50
2	6377 43	For 300 x 50
1	6377 53	For 400 x 50
4	6378 03	For 75 x 75
4	6378 13	For 100 x 75
4	6378 23	For 150 x 75
2	6378 33	For 200 x 75
2	6378 43	For 300 x 75
1	6378 53	For 400 x 75
1	6379 03	For 200 x 100
1	6379 13	For 300 x 100
1	6379 23	For 400 x 100
1	6379 33	For 500 x 100
1	6379 43	For 600 x 100

		Tee intersections
		PVC
		Width (mm)
2	6378 60	For 75 and 50
2	6379 60	For 100

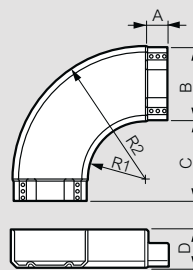
		Tee kits
		PVC
		Width x Depth (mm)
4	6378 70	For 75 x 50/75
2	6378 71	For 100 x 50/75
2	6378 72	For 150 x 50/75
3	6378 73	For 200 x 50/75
1	6378 74	For 300 x 50/75
1	6378 75	For 400 x 50/75
1	6379 70	For 200 x 100
1	6379 71	For 300 x 100
1	6379 72	For 400 x 100
1	6379 73	For 500 x 100
1	6379 74	For 600 x 100

fittings

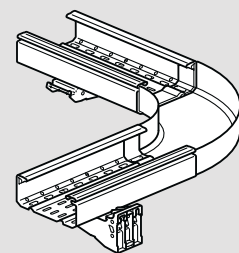
technical information

Flat 90° bends

Dimensions and fixing



Fixing

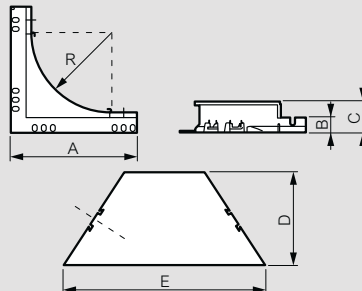


Width (mm)	A (mm)	B (mm)	C (mm)	R1 (mm)	R2 (mm)
75	52	68	210	150	224
100	52	93	210	150	249
150	52	142	210	150	298
200	52	196	210	150	346
300	52	289	210	150	445
400	52	388	210	150	544
500	52	488	210	150	644
600	52	587	210	150	743

D = 50, 75 or 98 mm

Tee kits

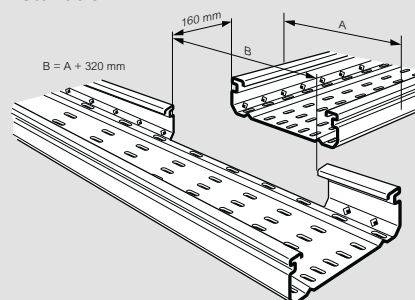
Dimensions and fixing



Width (mm)	A (mm)	B (mm)	D (mm)	E (mm)	R (mm)
75	237	28	164	233	150
100	237	28	164	260	150
150	237	28	164	310	150
200	237	28	164	362	150
300	237	28	164	461	150
400	237	28	164	556	150
500	237	28	164	659	150
600	237	28	164	756	150

C = 53 for 50 and 75 mm depth trays
C = 78 for 100 mm depth trays

Installation



A = width of tray
B = required cut-out