

# MaxiRex and EconoRex analogue time switches

surface and panel mounting



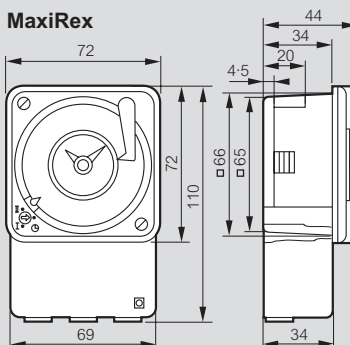
Technical information **opposite**

Pack	Cat. Nos.	MaxiRex
1	0497 50	<p>Conform to EN 60730-1 and EN 60730-2-7 Supply voltage : 230 V<math>\sim</math> <math>\pm</math>10% 3 position changeover switch With manual override Voltage free contacts Mounting options : - can be surface mounted - can be panel mounted using Cat. No. 0498 32 - can be clipped to DIN rail using Cat. No. 0044 09</p> <p>With 72 x 72 mm display to DIN EN 60715 Part C</p> <p><b>24 hour programme</b> Programmable for 30 minutes minimum at 10 minute intervals Accuracy : <math>\pm</math>5 minutes per day</p> <p><b>MaxiRex T</b> Without working reserve – 50 Hz</p>
1	0497 54	<p><b>MaxiRex QT</b> <b>7 day programme</b> Programmable for 3 hours minimum at 1 hour intervals Accuracy : <math>\pm</math>30 minutes per day</p> <p>With 100 hr working reserve – 50/60 Hz</p>
5	0498 32	<p><b>Fixing accessories</b></p> <p>Clip-on support frame for panel mounting DIN rail adaptor</p>
5	0044 09	
1	0499 83	<p><b>EconoRex MT</b> Conforms to EN 60730-1 and EN 60730-2-7 Supply voltage : 230 V<math>\sim</math> 50 Hz Mounting options : can be panel mounted</p> <p><b>EconoRex MT</b> BTAP without working reserve 20 A output Shortest switching step : 20 minutes Switching accuracy : <math>\pm</math> 5 minutes</p>

## Technical information

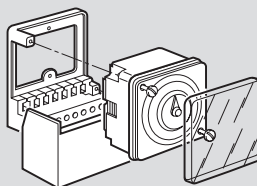
Type Cat. No.	MaxiRex T 0497 50	MaxiRex QT 0497 54	EconoRex MT 0499 83
Supply voltage	230 V $\sim$ +10% -15%		
Frequency	50 Hz	50/60Hz	50 Hz
Switching capacity : cos $\varphi$ = 1 cos $\varphi$ = 0.6 incand. lamp	16 A 10 A 1 000 W		16 A 8 A 1 000 W
Contact	1 c/o SPDT	1 c/o SPDT	1 c/o
Working reserve	None	100 hrs	None
Min. switching time	30 mins		15 mins
Interval	10 mins		15 mins
IP rating	IP 30		
Storage temp.	-10 °C to +60 °C		
Operating temp.	0 °C to +55 °C		

## Dimensions (mm)

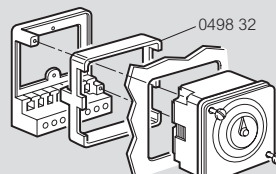


## MaxiRex mounting

### Wall mounting

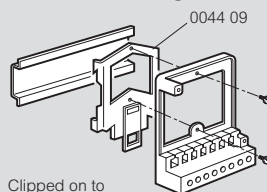


### Panel mounting



Panel mounting with support  
Cat. No. 0498 32  
to be ordered separately

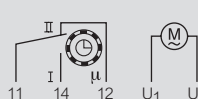
### DIN rail mounting



Clipped on to  
DIN rail EN 60715  
Adaptor to be ordered  
separately (Cat. No. 0044 09)

## Wiring diagrams

### MaxiRex and EconoRex



## EconoRex mounting

### Panel mounting

