



4130 91



4130 98

Technical information and dimensions **opposite and p. 47**

In the event of an overload, switch off the power supply and allow the transformer to cool down before switching on again
Wall or rail mounted

Pack	Cat. Nos.	Bell transformers																								
1	4130 90	<p> Conform to IEC/EN 61558-2-8 Supplied with label holder Protected against overloads and short circuits Power to 8 V-12 V or 24 V access control devices such as bells and chimes Possibility for supply busbars to run through (Cat. Nos. 4130 90/91)</p> <p>230 V / 8 V</p> <table border="1"> <thead> <tr> <th>Secondary (V)</th> <th>Rating (A)</th> <th>Power (VA)</th> <th>Number of 17.5 mm modules</th> </tr> </thead> <tbody> <tr> <td>8 V~</td> <td>0.5 A</td> <td>4 VA</td> <td>2</td> </tr> </tbody> </table> <p>230 V / 12 V - 8 V</p> <table border="1"> <thead> <tr> <th>Secondary (V)</th> <th>Rating (A)</th> <th>Power (VA)</th> <th>Number of 17.5 mm modules</th> </tr> </thead> <tbody> <tr> <td>12/8 V~</td> <td>0.66/1 A</td> <td>8 VA</td> <td>2</td> </tr> </tbody> </table> <p>230 V / 24 V - 12 V</p> <table border="1"> <thead> <tr> <th>Secondary (V)</th> <th>Rating (A)</th> <th>Power (VA)</th> <th>Number of 17.5 mm modules</th> </tr> </thead> <tbody> <tr> <td>24/12 V~</td> <td>1/1.5 A</td> <td>24/18 VA</td> <td>4</td> </tr> </tbody> </table>	Secondary (V)	Rating (A)	Power (VA)	Number of 17.5 mm modules	8 V~	0.5 A	4 VA	2	Secondary (V)	Rating (A)	Power (VA)	Number of 17.5 mm modules	12/8 V~	0.66/1 A	8 VA	2	Secondary (V)	Rating (A)	Power (VA)	Number of 17.5 mm modules	24/12 V~	1/1.5 A	24/18 VA	4
Secondary (V)	Rating (A)	Power (VA)	Number of 17.5 mm modules																							
8 V~	0.5 A	4 VA	2																							
Secondary (V)	Rating (A)	Power (VA)	Number of 17.5 mm modules																							
12/8 V~	0.66/1 A	8 VA	2																							
Secondary (V)	Rating (A)	Power (VA)	Number of 17.5 mm modules																							
24/12 V~	1/1.5 A	24/18 VA	4																							

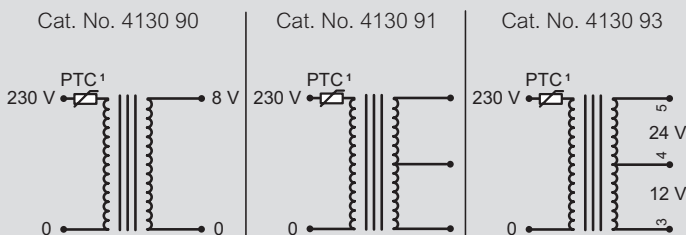
Pack	Cat. Nos.	Safety transformers																																			
1	4130 95	<p> Conform to IEC/EN 61558-2-6 Supplied with label holder Protected against overloads and short circuits Power to 12 V or 24 V devices such as modular power contactors, latching relays and signalling units</p> <p>230 V / 12 or 24 V</p> <table border="1"> <thead> <tr> <th>P (VA)</th> <th>No-load loss (W)</th> <th>Voltage % drop Cos φ = 1</th> <th>Efficiency % Cos φ = 1</th> <th>U_{cc} (%)</th> <th>I (A) primary loaded</th> <th>Number of 17.5 mm modules</th> </tr> </thead> <tbody> <tr> <td>16</td> <td>2.5</td> <td>34.6</td> <td>60</td> <td>27.5</td> <td>0.10</td> <td>4</td> </tr> <tr> <td>1</td> <td>25</td> <td>2.5</td> <td>29</td> <td>66</td> <td>23.3</td> <td>4</td> </tr> <tr> <td>1</td> <td>40</td> <td>4</td> <td>17.9</td> <td>68</td> <td>14.4</td> <td>5</td> </tr> <tr> <td>1</td> <td>63</td> <td>4</td> <td>15.7</td> <td>75</td> <td>13.6</td> <td>5</td> </tr> </tbody> </table>	P (VA)	No-load loss (W)	Voltage % drop Cos φ = 1	Efficiency % Cos φ = 1	U _{cc} (%)	I (A) primary loaded	Number of 17.5 mm modules	16	2.5	34.6	60	27.5	0.10	4	1	25	2.5	29	66	23.3	4	1	40	4	17.9	68	14.4	5	1	63	4	15.7	75	13.6	5
P (VA)	No-load loss (W)		Voltage % drop Cos φ = 1	Efficiency % Cos φ = 1	U _{cc} (%)	I (A) primary loaded	Number of 17.5 mm modules																														
16	2.5		34.6	60	27.5	0.10	4																														
1	25		2.5	29	66	23.3	4																														
1	40	4	17.9	68	14.4	5																															
1	63	4	15.7	75	13.6	5																															

Operating principle

Bell transformers

Safety isolating transformer with secondary voltage not permanently exceeding 24 V and for a non permanent usage
Power to 8 V-12 V or 24 V access control devices such as:

- bell
 - chime
 - door release
 - optical electrical barrier
- Also:
- flood detector
 - temperature rise detector

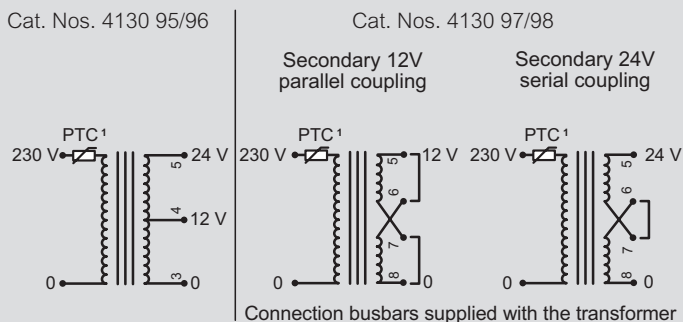


Safety transformers

Designed to protect people from electric shocks by using extra low voltage (ELV U_{sec} ≤ 50 V)

Power to 12 or 24 V devices such as:

- relay
- modular power contactor
- signalling unit
- latching relay



1 : PTC refer to general characteristics

Fixings

Wall or DIN rail 7.5 or 15 mm² depth for 4 module units
Rail DIN 7.5 or 15 mm² depth for 2 and 5 module units

2 : Remove with tool

Connection

	Primary flexible or rigid	Secondary flexible or rigid
	1 to 4 mm ²	1 to 4 mm ²
	1 to 4 mm ²	1 to 4 mm ²