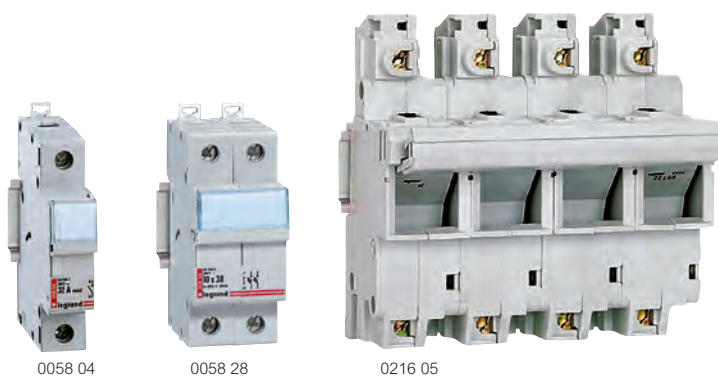


modular fuse carriers

for industrial cylindrical cartridge fuses



Dimensions **opposite**
Accessories **p. 21**

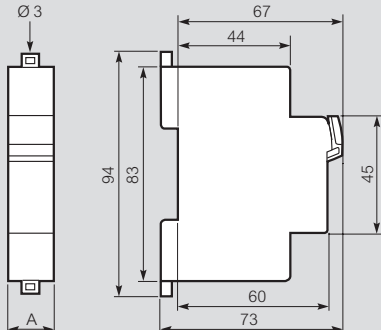
For HRC cylindrical fuses (see p. 22)

Pack	Cat. Nos.	Modular carriers for HRC type aM and gG fuses		
		Conform to IEC 60269-2/2-1, isolation to IEC 60947-3 Fix to DIN rail EN 60715 Equipped with label holder Padlockable using locking accessory Cat. No. 0057 99, p. 21 Shielded terminals max. capacity 2 x 10 mm ² Double insulated Class II		
		Fuse size (mm)	Voltage ~ (Volts)	No. of 17.5 mm modules
		Single pole		
10	0058 04	Disconnectable neutral	500	1
10	0058 06	8.5 x 31.5	400	1
10	0058 08	10 x 38	500	1
		Single pole + Neutral		
10	0058 16	8.5 x 31.5	400	1
10	0058 18	10 x 38	500	1
		Double pole		
5	0058 28	10 x 38	500	2
		Triple pole		
3	0058 38	10 x 38	500	3
		Triple pole + Neutral		
2	0058 48	10 x 38	500	4

SP isolating fuse carriers with protected terminals				
For isolation and protection of electrical circuits Conform to IEC 60269-2 and BS EN 60269-2 Bureau Veritas approved Height under front plate : 44 mm Fix to DIN rail EN 60715 or with screws				
SP 51 for HRC type aM and gG fuses 14 x 51				
		Connection	No. of 17.5 mm modules	
5	0215 01	Single pole	1 x 35 mm ²	1-5
1	0215 03	Double pole	or	3
1	0215 04	Triple pole	2 x 16 mm ²	4-5
1	0215 05	Triple pole + disconnectable neutral		6
SP 58 for HRC type aM and gG fuses 22 x 58				
		Connection	No. of 17.5 mm modules	
3	0216 00	Disconnectable neutral	1 x 50 mm ²	2
3	0216 01	Single pole	or	2
1	0216 04	Triple pole	2 x 25 mm ²	6
1	0216 05	Triple pole + disconnectable neutral		8

Modular fuse carriers

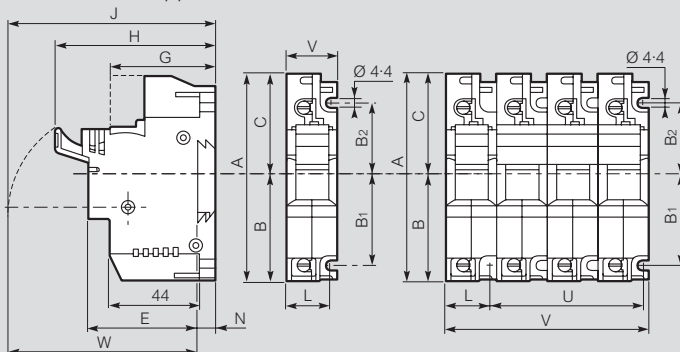
Conform to IEC 60269-2/2-1, isolation to IEC 60947-3
Icc : 20 kA with 8.5 x 31.5 fuse
100 kA with 10 x 38 fuse
Operating temperature : -5 °C to +40 °C
Mechanical resistance : IPXX 3



In mm	A
Single pole	17.7
Single pole + N	17.7
Double pole	35.5
Triple pole	53.4
Triple pole + N	71.2

SP 51 and SP 58 fuse carriers

Conform to IEC 60269-2 and BS EN 60269-2
Bureau Veritas approved



In mm	A	B	B ₁	B ₂	C	E	G	H 1 P	H multi.	J 1 P
SP 51	106	54.5	45	35	51.5	55	53	81	84	96
SP 58	140	74	65	45	66	59	53	87	90	111

In mm	J multi.	L	N	U 2 P	U 3 P	U 4 P	V 1 P	V 2 P	V 3 P	V 4 P	W 1 P	W multi.
SP 51	99	20.7	9	26.5	53	79.5	26.5	53	79.5	106	87	90
SP 58	114	27	9	36	72	108	36	72	108	144	101	109

Choice of equipment

Type	Rated current	Maximum cartridge rating			
		400 V ~		500 V ~	
		gG	aM	gG	aM
SP 51	50 A	50	50	50	40
SP 58	100 A (125 A in 400 V)	125	125	100	50

Protection index : IP 2X - IP 2X C - under front plate

Equipment derating

Justified under more severe conditions of use :

- Ambient temperature over 35 °C : derate fuse by one rating per 10 °C (UTE C 20-051)
- Side-by-side equipment in simultaneous function

2 or 3 devices	0.9 x I _n
4 or 5 devices	0.8 x I _n
6, 7, 8 or 9 devices	0.7 x I _n
≥ 10 devices	0.6 x I _n

This coefficient is to be applied on the nominal rating of the base (IEC 60439-1)
• Continuous operation : it may be necessary to upgrade the bases by one size

Modular protective terminal shield mounting (see p.21)

