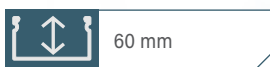
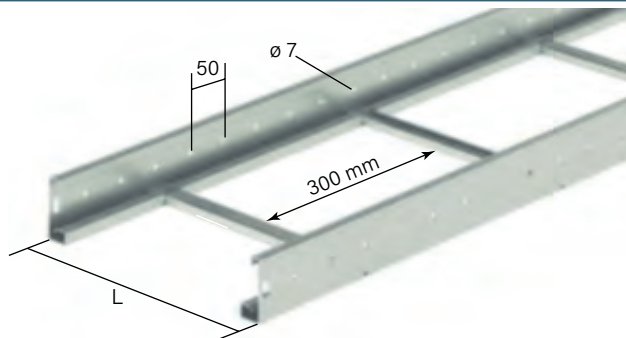


# ÉCHELLES À CâBLES

## → ÉCHELLES À CâBLES EAC H60



**Version L**  
(light)



L (mm) Emb.

**GS**

<b>GLO4L60/3/200</b>	200	3 M	8 311 132
<b>GLO4L60/3/300</b>	300	3 M	8 311 133
<b>GLO4L60/3/400</b>	400	3 M	8 311 134
<b>GLO4L60/3/500</b>	500	3 M	8 311 135
<b>GLO4L60/3/600</b>	600	3 M	8 311 136

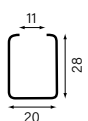


L (mm) Emb.

**GS**

<b>GLO4L60/6/200</b>	200	6 M	8 311 162
<b>GLO4L60/6/300</b>	300	6 M	8 311 163
<b>GLO4L60/6/400</b>	400	6 M	8 311 164
<b>GLO4L60/6/500</b>	500	6 M	8 311 165
<b>GLO4L60/6/600</b>	600	6 M	8 311 166

**Version M**  
(medium)

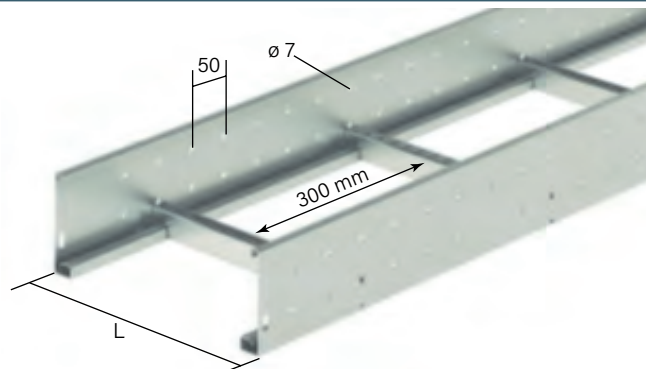


L (mm) Emb.

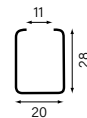
**GC**

<b>GLO4M60/3/200</b>	200	3 M	8 361 432
<b>GLO4M60/3/300</b>	300	3 M	8 361 433
<b>GLO4M60/3/400</b>	400	3 M	8 361 434
<b>GLO4M60/3/500</b>	500	3 M	8 361 435
<b>GLO4M60/3/600</b>	600	3 M	8 361 436

## → ÉCHELLES À CâBLES EAC H100



**Version M**  
(medium)



L (mm) Emb.

**GS**

**GC**

<b>GLO4M100/3/200</b>	200	3 M	8 311 532	8 361 532
<b>GLO4M100/3/300</b>	300	3 M	8 311 533	8 361 533
<b>GLO4M100/3/400</b>	400	3 M	8 311 534	8 361 534
<b>GLO4M100/3/500</b>	500	3 M	8 311 535	8 361 535
<b>GLO4M100/3/600</b>	600	3 M	8 311 536	8 361 536



L (mm) Emb.

**GS**

<b>GLO4M100/6/200</b>	200	6 M	8 311 562
<b>GLO4M100/6/300</b>	300	6 M	8 311 563
<b>GLO4M100/6/400</b>	400	6 M	8 311 564
<b>GLO4M100/6/500</b>	500	6 M	8 311 565
<b>GLO4M100/6/600</b>	600	6 M	8 311 566