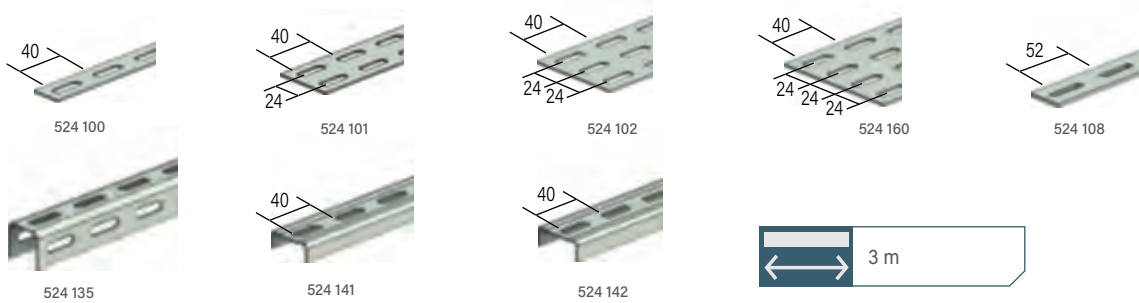




# FIXATIONS DIVERSES

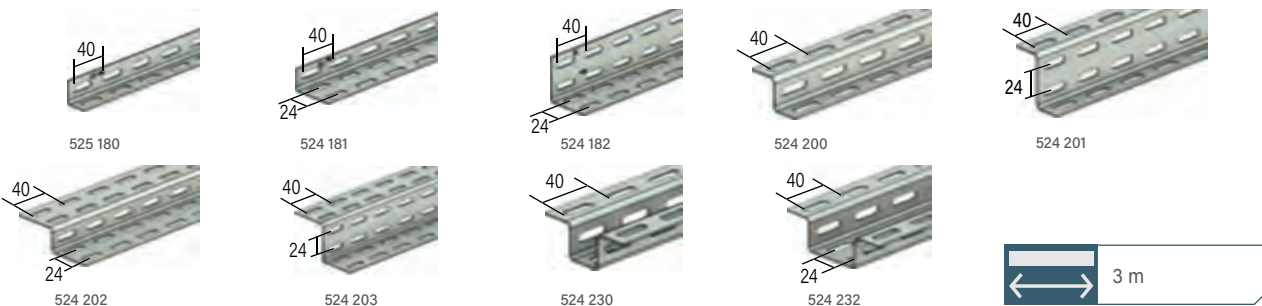
## PROFILS PERFORÉS

### → PROFILS PLATS ET U



Profil plat	Section	Perforation	Emb.	GS	GC	316L
<b>PL24/175</b>	24 X 1,75	7 X 25	3 M	524 100	-	-
<b>PL48/175</b>	48 X 1,75	7 X 25	3 M	524 101	524 106	-
<b>PL72/175</b>	72 X 1,75	7 X 25	3 M	524 102	524 103	-
<b>PL96/175</b>	96 X 1,75	7 X 25	3 M	524 160	524 163	-
<b>PL30/3</b>	30 X 3	6,5 X 32	3 M	<b>524 108</b>	524 110	-
<b>Profil U</b>						
<b>U24/24</b>	24 X 24 X 1,5	7 X 25	3 M	<b>524 135</b>	<b>524 145</b>	923 204
<b>UBD35</b>	35 X 13,5 X 1,75	8 X 25	3 M	<b>524 141</b>	524 151	-
<b>UBD40</b>	40 X 16 X 1,75	8 X 25	3 M	<b>524 142</b>	524 152	-

### → PROFILS PERFORÉS ET CORNIÈRES



Profil Z	Section	Perforation	Emb.	GS	GC	316L
<b>Z24/24/24</b>	24 X 24 X 24	7 X 25	3 M	<b>524 200</b>	<b>524 210</b>	923 214
<b>Z24/48/24</b>	24 X 48 X 24	7 X 25	3 M	<b>524 201</b>	524 211	-
<b>Z48/24/48</b>	48 X 24 X 48	7 X 25	3 M	524 202	524 212	-
<b>Z48/48/48</b>	48 X 48 X 48	7 X 25	3 M	<b>524 203</b>	<b>524 213</b>	-
<b>Profil Oméga</b>						
<b>RO24/24</b>	24 X 24 X 24	7 X 25	3 M	<b>524 230</b>	524 240	-
<b>RO24/48</b>	24 X 24 X 48	7 X 25	3 M	524 232	524 242	-
<b>Cornières</b>						
<b>COR24/24</b>	24 X 24	7 X 25	3 M	<b>524 180</b>	<b>524 190</b>	-
<b>COR24/48</b>	24 X 48	7 X 25	3 M	<b>524 181</b>	524 191	-
<b>COR48/48</b>	48 X 48	7 X 25	3 M	<b>524 182</b>	524 192	-