

P 17 Tempra® combination units LV 16 to 63 A

plastic surface mounting

16-32 A INTERLOCKED SWITCHED SOCKETS										
Conform to BS EN 60439-1 and IEC 60439-1 IP 44, IP 55, IP 66 according to BS EN 60529 and IEC 60529 IK 08 according to BS EN 62262 and IEC 62262 Supplied without cable glands Self-extinguishing: 650 °C		WITHOUT PROTECTION 125 x 220 mm		WITH DIN RAIL 125 x 280 mm						
		IP 44	IP 55	IP 44	IP 66					
	Pack	Cat. Nos.	Pack	Cat. Nos.	Pack	Cat. Nos.	Pack	Cat. Nos.		
200 to 250 V ~ 50/60 Hz	16 A	2 P + \perp	1	0566 01	1	0566 21	1	0566 41	1	0566 61
	32 A	2 P + \perp	1	0566 09	1	0566 29	1	0566 49	1	0566 69
380 to 415 V ~ 50/60 Hz	16 A	3 P + \perp	1	0566 05			1	0566 45	1	0566 65
		3 P + N + \perp	1	0566 06	1	0566 26	1	0566 46	1	0566 66
	32 A	3 P + \perp	1	0566 13	1	0566 33	1	0566 53	1	0566 73
		3 P + N + \perp	1	0566 14	1	0566 34	1	0566 54	1	0566 74

63 A INTERLOCKED SWITCHED SOCKETS				
Conform to BS EN 60439-1 and IEC 60439-1 IP 66 according to BS EN 60529 and IEC 60529 IK 08 according to BS EN 62262 and IEC 62262 Supplied without cable glands Self-extinguishing: 650 °C		WITH DIN RAIL		
		IP 66		
	Pack	Cat. Nos.		
380 to 415 V ~ 50/60 Hz	63 A	3 P + N + \perp	1	0572 99

Technical information

Material: polyamide 6

All plugs and sockets in the IP 44 and IP 66/67/69 P17 Tempra Pro range, as well as combined units, are tested and comply with IEC 60309 1 & 2 standards. These relate to the flammability test method called the incandescent wire test which is used to check that the exposure of electrical equipment insulation to intense heat will not cause uncontrolled ignition, and that the material extinguishes itself once removed from the heat source.

Self-extinguishing:

850 °C (support of active parts) /
650 °C (plastic housing)

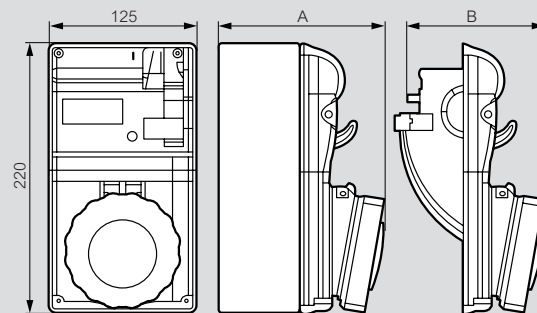
The P17 range is tested at Legrand laboratories using the following standards relating to self-extinguishable products:

- IEC 60695-2-10: standard covering test equipment
- IEC 60695-2-11: standard covering products
- IEC 60695-2-12: standard covering material specimens

Temp. rating: - 25 °C to + 40 °C according to BS EN 60309-1, BS EN 60309-2, IEC 60309-1 and IEC 60309-2

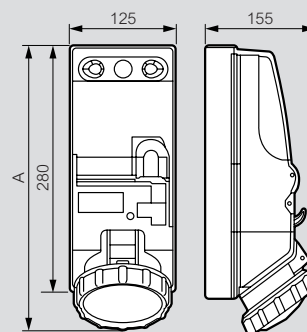
Dimensions

Without protection
LV 16/32 A



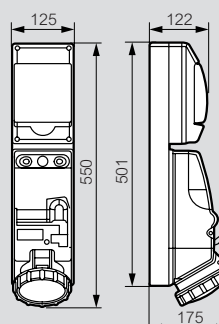
	IP 44 Cat. Nos.	Dimensions (mm)		IP 55 Cat. Nos.	Dimensions (mm)		
		A	B		A	B	
LV 16 A	2 P + \perp	0566 01	127	122	0566 21	133	128
	3 P + \perp	0566 05	129	124			
	3 P + N + \perp	0566 06	130	125	0566 26	135	130
LV 32 A	2 P + \perp	0566 09	138	133	0566 29	143	138
	3 P + \perp	0566 13	138	133	0566 33	143	138
	3 P + N + \perp	0566 14	139	134	0566 34	144	139

With DIN rail
LV 16/32 A



	A	
	IP 44	IP 66
LV 16 A	290	300
LV 32 A	295	310

LV 63 A



110 V combination units available on request
Contact us on +44 (0) 345 605 4333